

Instruction manual
Инструкция по эксплуатации

Bread maker BR2700YE
Хлебопечь BR2700YE



СОДЕРЖАНИЕ

EN.....	3
DE.....	22
RU.....	43
KZ.....	64

BREAD MAKER BR2700YE

The home bread maker is intended for bread and cake baking and dough kneading.

DESCRIPTION

1. Body
2. Control panel
3. Baking form
4. Handle of the baking form
5. Lid installation place
6. Steam release openings
7. Lid
8. Viewing window
9. Kneading paddle

Control panel

10. Dough rise cycle indication «RISE»
11. Dough kneading cycle indication «KNEADING»
12. Crust color selection indication «LIGHT — MEDIUM — DARK»
13. Weight indication «700g -1000g»
14. Display
15. Bread baking cycle indication «BAKING»
16. Keep warm function indication «KEEP WARM»
17. Program selection button «MENU»

18. «WEIGHT SELECTION» button
19. «TIME ADJUSTMENT» buttons
20. «CRUST COLOR» button
21. On/Off button «START/STOP»

Display

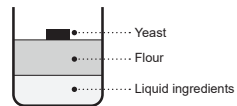
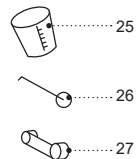
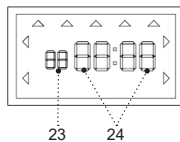
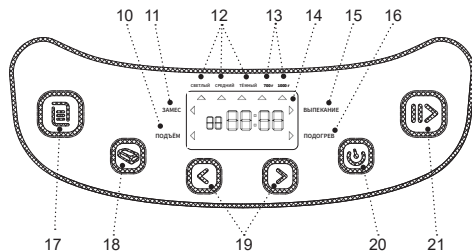
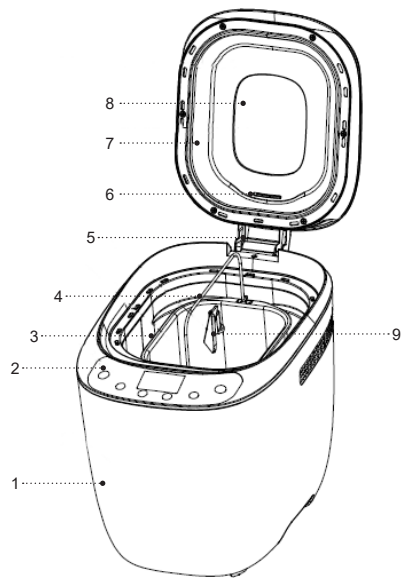
22. Separating dots
23. Baking program digital symbols
24. Time of delay/baking time digital symbols.

Accessories

25. Measuring cup
26. Hook for extracting the paddle
27. Measuring spoon

ATTENTION!

For additional protection it is reasonable to install a residual current device (RCD) with nominal operation current not exceeding 30 mA into the mains. To install RCD, contact a specialist.



Pic. 1

SAFETY MEASURES AND OPERATION RECOMMENDATIONS

Read the operation instructions carefully before using the Bread maker and keep it for future reference.

- Use the Bread maker for its intended purpose only, as it is stated in this manual.
- Mishandling the Bread maker can lead to its breakage and cause harm to the user or damage to his/her property and it is not covered by warranty.
- Make sure that operating voltage of the Bread maker indicated on the label corresponds to your home mains voltage.
- The power plug is equipped with a grounding contact, plug it into the socket with reliable grounding contact. In case of short circuit the grounding reduces the risk of electric shock.
- Contact an electrical technician, if you are not sure that your sockets are installed properly and grounded.
- To prevent fire do not use adapters designed for connecting the plug to the mains socket without grounding contact.
- In case of sparking in the mains socket and occurrence of smell of burning, unplug the unit and apply to the organization maintaining your home mains.
- If smoke appears from the body of the Bread maker, unplug the unit and take measures to prevent fire spreading.
- Do not use the Bread maker outdoors.
- It is not recommended to use the unit during lightning storms.
- Protect the unit from impacts, falling, vibrations and other mechanical stress.
- Do not place the Bread maker next to the walls or close to the kitchen furniture.
- Place the Bread maker keeping at least 20 cm gap between the Bread maker body and the wall and at least 50 cm gap above the Bread maker .
- Never leave the plugged-in Bread maker unattended.
- Do not use the Bread maker in proximity to kitchen sink, in bathrooms, near swimming pools or other containers filled with water.
- Do not use the Bread maker near heating appliances, heat sources or open flame.
- Do not use the Bread maker in places where aerosols are used or sprayed, and in proximity to inflammable liquids.
- Place the Bread maker on a flat stable surface; do not place it on the edge of a table. Do not let the power cord hang from the edge of the table and make sure it does not touch hot surfaces or sharp edges of furniture.
- During the operation do not touch hot surfaces of the bread maker.

- Do not close the ventilation openings on the bread maker lid.
- During the bread maker operation do not leave the lid open.
- When taking the ready bread out, take hold of the handle of the baking form, use heat-resistant kitchen potholders.
- To prevent damage of the baking form non-stick coating, when taking bread out, do not use metal objects, turn the form upside down and shake the ready bread out of it.
- In case of non-compliance with the recommendations on baking, bread burning and smoke appearance are possible.
- Before cleaning the bread maker, remove the baking form and allow complete cooling-down of the unit.
- Unplug the Bread maker before cleaning or when you are not using it. When unplugging the Bread maker hold only the power cord plug and carefully remove it from the mains socket, do not pull the power cord — this can lead to damage of the power cord or the socket or cause short circuit.
- To avoid electric shock do not immerse the Bread maker into water or any other liquids.
- Do not wash the Bread maker in a dishwashing machine.
- For children safety reasons do not leave polyethylene bags, used as a packaging, unattended.

ATTENTION!

Do not allow children to play with polyethylene bags or packaging film. **Danger of suffocation!**

- The Bread maker is not intended for usage by children.
- Do not leave children unattended to prevent using the unit as a toy.
- Do not allow children to touch the unit and the power cord during the Bread maker operation.
- Place the unit out of reach of children during the operation and cooling down.
- This unit is not intended for usage by physically or mentally disabled persons (including children) or by persons lacking experience or knowledge if they are not under supervision of a person who is responsible for their safety or if they are not instructed by this person on the usage of the unit.
- Check the integrity of the power cord, the power plug and the Bread maker body periodically.
- If the power cord is damaged, it should be replaced by the manufacturer, a maintenance service or similar qualified personnel to avoid danger.
- If the power cord is damaged, it should be replaced with a power cord received from the manufacture or service.
- Transport the Bread maker in the original package.
- Keep the unit out of reach of children and disabled persons.

BREAD MAKER IS INTENDED FOR HOUSEHOLD USE ONLY, DO NOT USE THE COFFEE MAKER FOR COMMERCIAL OR LABORATORY PURPOSES.

BEFORE USING THE BREAD MAKER

After unit transportation or storage at low temperature keep it for at least 3 hours at room temperature before switching on.

- Unpack the Bread maker and remove all the packaging materials.
- Keep the original package.
- Read the safety measures and operating recommendations.
- Check the delivery set.
- Examine the Bread maker for damages, in case of damage do not plug it into the mains.
- Make sure that the specifications of power supply voltage specified on the label correspond to the specifications of your mains.
- Wipe the outer surface of the unit body (1) with a clean, slightly damp cloth to remove dust.
- Open the lid (7).
- Take the handle (4) of the baking form (3) and lift it slightly, turn the handle (4) counterclockwise and take the form (3) out.
- Wash the form (3), the paddle (9), the measuring cup (25), the hook (26), the measuring spoon (27) with warm water using neutral detergent, rinse and dry them.
- Install the baking form (3) back to its place and turn it clockwise as far as it will go, install the kneading paddle (9) on the axle in the baking form (3).
- Close the lid (7).
- Place the bread maker so that the distance between the bread maker and the wall or furniture is at least 20 cm and the free space above the bread maker is at least 50 cm.
- **Note:** — the bread maker is intended for operation within a wide range of temperatures, however, excessively high or low temperature in the room affects the dough rise process and consequently the size and density of bread. The optimal room temperature shall be from +15 to +34°C.

THE FIRST SWITCHING-ON OF THE BREAD MAKER

- To remove foreign smells, it is recommended to switch the bread maker on for the first time without loading ingredients and with the open lid (7).
- Insert the power plug into the mains socket, you will hear a sound signal and digital symbols (24) «3:00» will be shown on the display (14), separating dots (22) will be glowing constantly.
- Crust color indication (12): «MEDIUM».
- Weight indication (13): «1000g».
- These settings are set by default.
- Press the «START/STOP» button (21) to switch the default baking program on, the separating dots (22) will be flashing on the display (14).

- Press the «START/STOP» button (21) again in 10 minutes to switch the baking program off, press and hold the «START/STOP» button (21) one more time to switch the bread maker off, unplug the unit, open the lid (7) and allow complete cooling down of the bread maker.
- **Note:** — when switching the bread maker on for the first time, a foreign smell or some smoke from the heating element can appear — this is acceptable and it is not covered by warranty.
- Take the handle (4) of the baking form (3) and lift it slightly, turn the handle (4) counterclockwise and remove the form (3).
- Wash the form (3), the paddle (9) with warm water using neutral detergent, rinse and dry them.
- Install the baking form (3) back to its place and turn it clockwise as far as it will go, install the kneading paddle (9) on the axle in the baking form (3).
- Close the lid (7).
- The bread maker is ready for usage.

CONTROL PANEL

Before using the bread maker, please get acquainted with the buttons on the control panel (2), baking programs and recommendations on selection of ingredients for baking.

- By pressing buttons on the control panel (2), you can select the necessary program of baking bread, cakes or dough kneading, set the baking weight, set the time of cooking delay, select the crust color,

the baking program operation cycles are shown by indication (10, 11, 15, 16), the baking program is shown on the display (14) by digital symbols (23), the baking program operation time is shown by digital symbols (24).

- Every pressing of the active button is accompanied by a sound signal.
- During the baking program operation time all the buttons on the control panel (2) are blocked, except the «START/STOP» button (21).

«MENU» BUTTON (17)

- By pressing the «MENU» button (17), you can select one of 12 programs, the program number is shown on the display (14) by digital symbols (23).
- To improve flavor of the ready baking you can add the necessary ingredients (nuts, dried fruits etc.) during the second dough kneading, you will hear sound signals at the right moment, open the lid (7), add the necessary ingredients, close the lid (7) (see the table).

-1- «BASIC»

- It includes all the stages of bread making: dough kneading, dough proofing (rise) and baking.

-2- «FRENCH»

- Bread making takes longer, the bread has large porous crumb and crispy crust.

-3- «WHOLE-WHEAT BREAD»

- Bake healthy bread of fine and crude flour. This baking program provides for a longer time of preheating so that crude flour absorbs liquid better and swells better. It is not recommended to use the delay function when making this bread as that may cause undesirable results.

-4- «FAST»

- Bread baking takes less time than in the «BASIC» program, but the bread is usually smaller in size and has denser texture.

-5- «SWEET»

- Add leaven or soda to sweet dough and make savory pastry.

-6- «SUPERFAST 1»

- Program for baking bread weighing 700 grams. Bread baking within the shortest possible time, the bread is usually smaller in size and has denser texture in comparison with «FAST» program.

-7- «SUPERFAST 2»

- Program for baking bread weighing 1000 grams. Bread baking within the shortest possible time, the bread is usually smaller in size and has denser texture in comparison with «FAST» program.

ATTENTION!

When selecting programs 6 or 7, pour water with the temperature of 48-50°C into the baking form (3) (use cooking thermometer for measuring water temperature precision). Water temperature plays a crucial role in fast and superfast bread making: too low water temperature will not allow the dough to rise in time, and excessively high temperature will result in yeast destruction.

-8- «DOUGH»

- The bread maker kneads dough and lets it rise. Use dough for further making of home-baked pastry (pies, pizza, etc.).

-9- «GLUTEN FREE»

- Bake bread of gluten free flour. This baking program provides for a longer time of preheating so that flour absorbs liquid better and swells better. It is not recommended to use the delay function when making this bread as that may cause undesirable results.

-10- «CAKE»

- Program for making sweet pastry.

-11- «SANDWICH»

- Program for baking light-textured bread with thin crust.

-12- «BAKING»

- The bread maker works as an ordinary electric oven. The program excludes dough kneading and rise modes. The program is used for baking ready dough or for baked bread additional browning.

Table of program operation time:

№ programm	Name of programm	Weight	Time of work program	Delayed start time	Adding of ingredients
1	CLASSIC	700 g	2:53	13:00	+
		1000 g	3:00	13:00	+
2	FRENCH	700 g	3:40	13:00	+
		1000 g	3:50	13:00	+
2	WHOLE	700 g	3:32	13:00	+
		1000 g	3:40	13:00	+
4	QUICK	-	1:40	13:00	-
5	SWEET	700 g	2:50	13:00	+
		1000 g	2:55	13:00	+
6	EXPRESS	700 g	0:58	13:00	-
7	DIET	1000 g	0:58	13:00	-
8	DOUGT	-	1:30	13:00	-

9	GLUTEN FREE	700 g	3:15	13:00	+
		1000 g	3:20	13:00	+
10	CAKE	-	2:50	13:00	-
11	SANDWICH	700 g	2:55	13:00	+
		1000 g	3:00	13:00	+
12	BAKE	-	1:00	-	-

«WEIGHT SELECTION» button (18)

- You can select the pastry weigh — 700 g or 1000 g with the button (18) depending on the amount of loaded ingredients. Pastry weight is shown by indication (13) «700g — 1000g»

«CRUST COLOR» button (20)

- By pressing the button (20), you can select the necessary crust color, the selected crust color is shown by symbols (12) «LIGHT-MEDIUM-DARK».

«START/STOP» button (21)

- The selected baking program is switched on by pressing the «START/STOP» button (21), separating dots (22) will be flashing on the display (14).

- After switching the baking program on, all the buttons on the control panel (2) will be inactive, except the «START/STOP» button (21).
- The «pause» mode is switched on by the repeated pressing the «START/STOP» button (21), digital symbols of remaining time (24) of operation will be flashing on the display (14). To continue the baking program operation, press the «START/STOP» button (21) one more time.
- To switch the baking program off, press and hold the «START/STOP» button (21), you will hear a sound signal, and the set program will be switched off.

«TIME ADJUSTMENT» buttons (19)

- If you want the bread maker not to start operating immediately, you can use buttons (19) «TIME ADJUSTMENT» to set the time of delay of start of operation of the baking program.
- Please note that delay time shall include the baking program operation time (see the table), i.e. upon the expiry of the delay time the baking program will switch on.
- Select the necessary program by the «MENU» button (17), the program will be shown on the display (14) by digital symbols (23).
- Set the weight «700g or 1000 g» (13) by the «WEIGHT SELECTION» button (18).
- Select the crust color «LIGHT-MEDIUM-DARK» (12) by the button (20).
- Set the delay time by the «TIME ADJUSTMENT» buttons (19) (please note that during setting the delay time you should take into account the baking program operation time), setting step is 10 minutes.
- The maximal time of delay is 13 hours.
- The delay time will be shown on the display (14) with digital indications (24).

Example:

It is 8.30 p.m. now, if you want to have your bread ready at 7 a.m. the next morning, i.e. in 10 hours and 30 minutes.

- Select the baking program, the pastry weight and the crust color, by pressing buttons (19) «TIME ADJUSTMENT», set the time 10.30 on the display (14).
- Press the «START/STOP» button (21) to switch the delay function on, separating dots (22) will be flashing on the display (14).
- To cancel the delay function, press and hold the «START/STOP» button (21), you will hear a sound signal, and the delay program will be switched off.
- Upon the expiry of the delay time, the set baking program will switch on.
- If you do not take the ready bread immediately, the keep warm function will switch on, the keep warm function operation time is 60 minutes.
- To bake with the time delay, do not use perishable ingredients, such as eggs, fresh milk, fruit, onion etc.
- **Note:** — the delay function is not available for the programs: — 4 «FAST», 6 — 7 «SUPERFAST 1 and 2», 12 «BAKING».

KEEP WARM FUNCTION

- Upon the expiry of the baking program operation time, the keep warm function will switch on, the keep warm function operation time is 60 minutes.
- If you want to remove the bread, switch the keep warm function off by pressing the «START/STOP» button (21).

MEMORY FUNCTION

- In case of emergency power cutoff during the bread maker operation, the memory function with the duration of up to 10 minutes is activated.
- If the power supply is restored within 10 minutes, the bread maker will continue to perform the pre-set program from the moment the program operation has been stopped at.
- In case of absence of power supply for more than 10 minutes, it is necessary to load the ingredients again, to set the program and to switch the bread maker on.

BREAD MAKER OPERATION CYCLES

The bread maker has the following operation cycles:

- Kneading the dough to reach a homogeneous mass. The dough kneading cycle is shown by the indication (11) «KNEADING».
- The dough rise cycle is shown by the indication (10) «RISE».
- The baking cycle is shown by the indication (15) «BAKING».
- The keep warm function is shown by the indication (16) «KEEP WARM». After finishing the baking program, the keep warm function will switch on, and will be operating during 60 minutes, if it is necessary to remove bread, switch the keep warm function off

by pressing and holding the button (21) «START/STOP».

IMPORTANT RECOMMENDATIONS ON INGREDIENTS FOR BAKING

Flour

- Flour is the most important component of bread making.
- The characteristics of flour are determined not only by the sort but also by the conditions of grain cultivation, processing method and storage. Try to bake bread of flour of different manufacturers and brands and find the one complying with your needs.
- The basic types of bread flour are wheat and rye flour.
- Wheat flour finds ever-growing use owing to nice palatability traits and high nutritional value of wheat flour products.

Bread flour

- Bread (refined) flour made of inner part of grain only, contains the maximal gluten quantity that provides the crumb elasticity and prevents bread dropping.
- Pastry made of bread flour is puffier.

Whole-grain flour (wholemeal)

- Whole-grain (wholemeal) flour is obtained by grinding whole wheat grains together with the membrane.

This sort of flour is distinguished for its enhanced nutritional value.

- Whole-grain bread is usually smaller in size. To improve the consumer properties of bread, whole-wheat flour is often mixed with bread flour.

Corn and oatmeal flour

- To improve the texture of bread and to give it additional flavor properties, mix wheat or rye flour with corn or oatmeal one.

Sugar

- Sugar enriches the pastry in additional flavors and gives bread golden color.
- Sugar is a nutritional medium for yeast growth. Add to pastry not only refined but also brown sugar and sugar powder.

Yeast

- Yeast growth is accompanied by emission of carbon dioxide that contributes to the formation of porous crumb.
- Flour and sugar are a nutritional medium for yeast growth. Add fresh compressed yeast or fast-acting yeast powder. Dissolve fresh compressed yeast in warm liquid (water, milk, etc.), add fast-acting yeast to the flour (it does not require preliminary activation, i.e. adding of water).
- Follow the recommendations on the packing or observe the following proportions:

- 1 tea spoon of fast-acting yeast powder is equal to 1.5 of tea spoon of fresh compressed yeast.
- Store fresh yeast in a refrigerator. Yeast is destructed at high temperatures, and in this case the dough rises poorly.

Salt

- Salt gives bread additional flavor and color, but slows down the yeast growth.
- Do not use excessive quantities of salt. Always use fine salt (coarse salt can damage the baking form's non-stick coating).

Eggs

- Eggs improve the structure and volume of the pastry, enrich flavor.
- Before adding eggs to the dough, it is recommended to whip them thoroughly.

Animal and vegetable fats

- Animal and vegetable fats make the pastry softer and increase storage life.
- Before adding butter, it should be cut into small cubes and warm up to room temperature.

Baking powder and soda

- Soda and baking powder (leaven) shorten the time necessary for dough rise.
- Use leaven or soda when using programs «SUPERFAST 1 and 2».

- It is necessary to mix soda with citric acid and a little flour beforehand (5 g of baking soda, 3 g of citric acid and 12 g of flour). This amount of powder (20 g) is rated for 500 g of flour.
- Do not use vinegar for soda slaking, use of vinegar makes the crumb damper and less homogeneous.
- Baking powder (leaven) is just to be poured into the form following recipe instructions.

Water

- Water temperature plays the crucial role in bread baking.
- Optimal water temperature is from 20 to 25°C, and for «SUPERFAST 1, 2» program is from 45 to 50°C.
- You may use milk instead of water or enrich bread flavor by adding some natural juice.

Dairy products

- Dairy products improve the nutritional value and flavor of the bread. The bread crumb will be more beautiful and savory.
- Use fresh dairy products or powdered milk.

Weight of ingredients

- One of the important conditions for bread making is use of precise quantity of ingredients.
- It is strongly recommended to use kitchen scale, the measuring cup (25) and the measuring spoon (27) to measure precise quantity of ingredients, otherwise the ready bread may not comply with your need.

- Fill the measuring cup (25) with liquid to the appropriate mark. Check dosage by placing the cup (25) on a flat surface.
- Clean the measuring cup (25) thoroughly from the remaining previous ingredient.
- Do not compact dry ingredients when putting them into the measuring cup (25).
- It is important to screen the flour through the strainer before the use to saturate it with air; this provides the best baking result.

PROCEDURE FOR LOADING INGREDIENTS IN THE BAKING FORM (PIC. 1)

- It is necessary to observe the sequence of loading of ingredients in the baking form (3).
- The following sequence is recommended:
 - flour; flour should not be completely damped with liquid ingredients;
 - yeast may be put only on dry flour, yeast should not be in contact with salt;
 - liquid ingredients, eggs, salt, vegetable oil or butter, milk powder etc.;
 - make a small cavity in the flour and put the yeast in the cavity.

INGREDIENTS ADDING

- You can add the necessary ingredients (nuts, dried fruits etc.) during the second dough kneading, you

- will hear sound signals at the right moment, open the lid (7), add the necessary ingredients, close the lid (7).
- If you use the delay function for a long time, never add perishable ingredients, such as eggs, fruit ingredients.

BREAD BAKING

- Before plugging the bread maker in make sure that the operating voltage of the unit corresponds to the voltage of your mains.
- Open the lid (7) and take out the baking form (3).
- Make sure that the paddle (9) is installed to its place.
- Note: — before installing the paddle (9) it is desirable to grease it with butter, margarine or vegetable oil, it will facilitate its removal from the fresh bread.
- Put the ingredients into the form (3) in the sequence described in the recipe. Usually the ingredients are put in the following order (pic. 1):
 1. Liquid ingredients.
 2. Flour, dry ingredients (sugar, salt).
 3. Yeast and leaven. Make a small cavity in the flour and put the yeast or leaven in the cavity.
- Remove the crumbled products or spilled liquids from the form (3) outer surface.
- Install the form (3) back to its place and turn it clockwise as far as it will go.
- Close the lid (7).
- Insert the power plug into the mains socket, you will hear a sound signal and digital symbols (24) «3:00» will be shown on the display (14), separating dots (22) will be glowing constantly.
- Crust color indication (12) «MEDIUM».
- Weight indication (13) «1000g».
- These settings are set by default.
- By pressing the «MENU» button (17) you can select one of 12 programs, the program number is shown on the display (14) by digital symbols (23).
- You can select the pastry weight — 700 g or 1000 g with the button (18) depending on the amount of loaded ingredients. Pastry weight is shown by indication (13) «700g — 1000g».
- By pressing the button (20), you can select the necessary crust color, the selected crust color is shown by symbols (12) «LIGHT-MEDIUM-DARK».
- Set the cooking delay time by pressings of buttons (19) «TIME ADJUSTMENT» (see description in the section «CONTROL PANEL»).
- **Note:** — if you want to start the preset baking program performing immediately, skip delay time setting.
- Press the «START/STOP» button (21) to switch the baking program on, separating dots (22) will be flashing on the display (14), the time remaining to the end of the baking program operation will be shown with digital symbols (24).
- The bread maker operation cycles are shown by indication (10, 11, 15, 16).

- **Recommendation:** — after 5-minute dough kneading, it is recommended to check its consistency. The dough should form a soft glutinous lump, if the dough lump is very dry, add some liquid to it, if the dough lump is too damp, add some flour (from 1/2 to 1 teaspoon or as necessary).
- You can control the bread baking process through the viewing window (8) in the lid (7).

ATTENTION!

During the baking program operation, never open the lid (7), in case of sudden change of temperature, the dough can drop and will not rise any more.

- After finishing of the baking program, you will hear sound signals and the keep warm function will switch on, the keep warm function operation time is 60 minutes.
- To cancel the keep warm function and to switch the bread maker off, press and hold the «START/STOP» button (21) within 3 seconds.
- Remove the power plug from the mains socket.
- Open the lid (7) using heat-resistant kitchen potholders, lift slightly and take the handle (4), turn the baking form (3) counterclockwise and remove it from the bread maker.
- Leave the form to cool, for approximately 10-15 minutes.
- Separate the pastry from the form (3) walls using a plastic kitchen spatula.

- Do not use metal objects that can damage the non-stick coating of the form (3).
- To remove the pastry turn the form (3) upside down and shake it.
- Before cutting the bread, remove the paddle (9) with the hook (26).
- Cut the bread with a sharp bread knife.
- After use wash the form (3) and the paddle (9) with warm water using neutral detergent, rinse and dry them. Install the paddle (9) in the form (3), install the form (3) in the bread maker, close the lid (7).

CLEANING AND MAINTENANCE

- Switch the bread maker off, unplug it, open the lid (7) and let the bread maker cool down.
- Clean the body (1) and the lid (7) with a slightly damp cloth, then wipe it dry.
- Wash the baking form (3), the paddle (9), the measuring cup (25), the hook (26) and the spoon (27) with warm water with neutral detergent, rinse and dry them.
- **Note:** — if the paddle (9) can not be removed from the axle, fill the form (3) with warm water and wait for about 20-30 minutes.
- Do not use metal objects or scourers, abrasive detergents and solvents for cleaning the bread maker and the baking form (3).
- Dry the baking form (3) and the paddle (9) thoroughly before installing them in the bread maker.

- If the inner surface of the bread maker is dirty, remove dirt and wipe the surface with a slightly damp cloth, then wipe it dry.
- Do not immerse the bread maker body, the power cord and the power plug into water or any other liquids.

STORAGE

- Clean the bread maker before taking it away for storage.
- Keep the unit in a dry cool place out of reach of children and disabled persons.

Before applying to the service center.

Malfunction	Possible reason	Troubleshooting method
The bread maker cannot be switched on. The symbols «HHH» appear on the display.	The bread maker has not cooled down yet after the previous baking.	Switch the bread maker off and unplug it. Remove the baking form and let the bread maker cool down to the room temperature.
If the symbols «LLL» are shown on the display when you switch the bread maker on.	The temperature inside the bread maker is too low.	Switch the bread maker off and unplug it. Open the bread maker lid, remove the baking form and let the unit heat up to the room temperature for 10 — 20 minutes.
If the symbols «Err» are shown on the display when you switch the bread maker on.	The temperature sensor is malfunctioning.	In this case contact the authorized service center.

DELIVERY SET

1. Bread maker — 1 pc.
2. Power cord — 1 pc.
3. Manual — 1 pc.

TECHNICAL SPECIFICATIONS

- Power supply 220-240 V, ~ 50-60 Hz
- Rated input power: 550 W

Table of malfunctions and defects during bread baking and recommendations on further troubleshooting.

Malfunction/Defect	Possible reason	Troubleshooting method
Smoke from the openings in the lid during bread baking	<p>During the first use of the bread maker, the surface of the heating element burns.</p> <p>Getting of ingredients on the heating element.</p>	<p>Before the first use of the bread maker, switch it on for 10-15 minutes with the open lid.</p> <p>Switch the bread maker off, allow its cooling, clean the heating element.</p>
Thick bread crust.	The ready bread was left in the baking form and lost a lot of moisture.	Remove the ready bread from the form, right after baking.
The kneading paddle can not be removed from the baking form.	Dough has got in the gap between the driving shaft and the dough kneading paddle.	After you have removed bread from the form, fill the baking form with warm water. Remove the paddle in 20-30 minutes.
Ingredients are mixed unevenly and are baked poorly.	<p>The preset program does not suit for this set of ingredients.</p> <p>During the baking program operation the bread maker lid opened several times, the dough dropped and did not rise any more.</p> <p>Small quantity of liquid ingredients, the kneading paddle is not capable to knead dough for pastry.</p>	<p>Select the baking program that corresponds to the ingredients loaded in the baking form.</p> <p>Do not open the bread maker lid.</p> <p>Check the conformity of loaded ingredients.</p> <p>Remove the baking form and try to rotate the baking paddle with your hand, if it does not work, contact the authorized service center.</p>
The sound of the electric motor operation can be heard, but the dough can not be mixed.	<p>The baking form is installed improperly.</p> <p>A great deal of flour was added to the dough.</p>	Check the proper installation of the baking form and proper recipe for baking. Always measure precisely the amount of ingredients using kitchen scale and the measuring cup.
During baking the bread overfills the baking form.	Improper proportion of amount of yeast, flour and liquid ingredients. The temperature of liquid ingredients or environment is too high.	<p>Always check the proper proportion of ingredients, their temperature and the room temperature.</p> <p>Use the bread maker at ambient temperature in the range from +15 to +34°C.</p>

The bread size is too small or the bread does not rise.	Absence of yeast or insufficient quantity thereof. Poor quality of yeast, high temperature of liquid ingredients. Yeast came into contact with salt. Low temperature in the room.	Do not use expired yeast. Measure precise amount of yeast using the measuring spoon. Do not allow contact of yeast with salt. Use the bread maker at ambient temperature in the range from +15 to +34°C.
The bread cracks very much during baking.	The used flour contains very little gluten. Very high speed of yeast growth or high temperature of liquid ingredients.	Use the reliable brand of bread flour. Use the reliable yeast brand and observe temperature of liquid ingredients.
Structure of the baked bread is very dense.	Improper proportion of flour and liquid ingredients. Too much whole wheat flour was used.	Get the right proportion of flour and liquid ingredients. Reduce the amount of whole flour and increase the amount of yeast.
Very large cavities are inside the ready bread.	Surplus of liquid ingredients, water or salt is not added. High temperature of liquid ingredients.	Choose the right proportion of ingredients. Always check the temperature of liquid ingredients.
A lot of dry flour is on the bread crust.	Flour with increased amount of gluten and insufficient quantity of butter was used. Small quantity of liquid ingredients.	Use flour with correct amount of gluten and add butter. Add precise amount of liquid ingredients in accordance with recipe.
Very dark crust of bread or cake.	The crust of bread or cake can burn because of excess amount of sugar.	Add precise amount of sugar in accordance with recipe. If you noticed that bread or cake starts burning, it is recommended to stop the baking program 5-10 minutes before its end. Before removing the ready product, it is recommended to leave it in the bread maker for 15-20 minutes with the closed lid.

RECYCLING



To prevent possible damage to the environment or harm to the health of people by uncontrolled waste disposal, after expiration of the service life of the unit or the batteries (if included), do not discard them with usual household waste, take the unit and the batteries to specialized stations for further recycling.

The waste generated during the disposal of products is subject to mandatory collection and consequent disposal in the prescribed manner.

For further information about recycling of this product apply to a local municipal administration, a household waste disposal service or to the shop where you purchased this product.

The manufacturer reserves the right to change the design, structure and specifications not affecting general operation principles of the unit, without prior notice.

The unit operating life is 3 years

The manufacturing date is specified in the serial number.

In case of any malfunctions, it is necessary to apply promptly to the authorized service center.

BREAD MAKER BR2700YE

Der HausBread maker ist zum Brot- und Kuchenbacken oder Teigneten bestimmt.

BESCHREIBUNG

1. Gehäuse
2. Bedienungsplatte
3. Backform
4. Backformgriff
5. Deckelaufstellplatz
6. Dampfablasslöcher
7. Deckel
8. Sichtfenster
9. Teigknetpaddel

Bedienungsplatte

10. Teigtriebzyklusanzeige «TEIGTRIEB»
11. Teigknetzklusanzeige «ANTEIGEN»
12. Krustenfarbewahlanzeige «HELL-MITTEL-DUNKEL»
13. Gewichtsanzeige «700 g — 1000 g»
14. Bildschirm
15. Brotbackzyklusanzeige «BACKEN»
16. Aufwärmfunktionsanzeige «AUFWÄRMUNG»
17. Programmwahltaste «MENÜ»

18. «GEWICHTSWAHL»-Taste
19. «ZEITEINSTELLUNG»-Tasten
20. «KRUSTENFARBE»-Taste
21. Ein-/Ausschalttaste «START/STOP»

Bildschirm

22. Trennpunkte
23. Backprogrammzahlensymbole
24. Rückstellungs-/Backzeitzahlensymbole

Zubehör

25. Meßbecher
26. Paddelausziehaken
27. Meßlöffel

ACHTUNG!

Als zusätzlicher Schutz ist es zweckmäßig, den FI-Schalter mit Nennstrom maximal bis 30 mA im Stromversorgungskreis aufzustellen; wenden Sie sich dafür an einen Spezialisten.

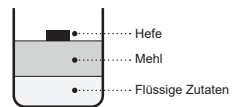
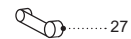
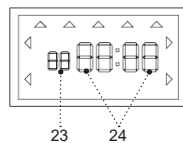
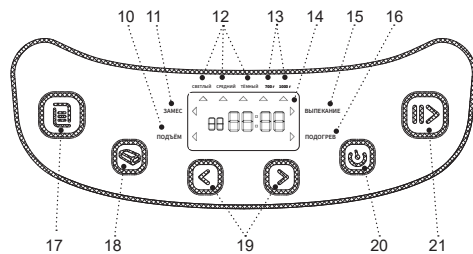
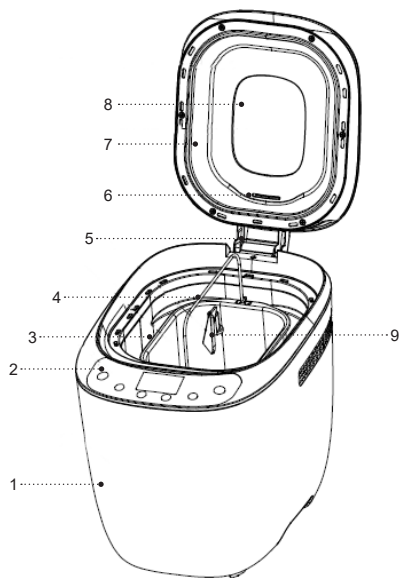


Abb. 1

SICHERHEITSHINWEISE UND GEBRAUCHSANLEITUNG

Bevor Sie den Bread maker benutzen, lesen Sie die Bedienungsanleitung aufmerksam durch und bewahren Sie sie zum späteren Gebrauch auf.

- Verwenden Sie den Bread maker nur bestimmungsgemäß, wie es in dieser Gebrauchsanleitung beschrieben ist.
- Nicht ordnungsgemäße Nutzung des Bread maker s kann zu seiner Störung führen, einen gesundheitlichen oder materiellen Schaden beim Nutzer hervorrufen, und ist kein Garantiefall.
- Vergewissern Sie sich, dass die auf dem Bezeichnungszettel angegebene Betriebsspannung und die Netzspannung übereinstimmen.
- Der Netzstecker hat einen Erdungskontakt; stecken Sie ihn nur in eine Steckdose
- mit dem zuverlässigen Erdungskontakt. Bei einem Kurzschluss verringert die Erdung das Stromschlagrisiko.
- Wenden Sie sich an einen Elektriker, wenn Sie sich nicht sicher sind, ob Ihre Steckdosen richtig installiert und geerdet sind.
- Verwenden Sie keine Adapterstecker, die zum Anschließen des Netzsteckers an eine Steckdose ohne Erdungskontakt bestimmt sind, um das Brandrisiko zu vermeiden.
- Bei Brandgeruch und Funken in der Steckdose ziehen Sie den Netzstecker aus der Steckdose heraus und wenden Sie sich an den Ihr Hausstromnetz leistenden Dienst.
- Wenn Rauch aus dem Bread maker austritt, ziehen Sie das Netzkabel aus der Steckdose heraus und treffen Sie die Feuerverhinderungsmaßnahmen.
- Es ist nicht gestattet, den Bread maker draußen zu benutzen.
- Es ist nicht empfohlen, das Gerät bei Gewitter zu benutzen.
- Schützen Sie das Gerät vor Stößen, Stürzen, Vibrationen und anderen mechanischen Einwirkungen.
- Stellen Sie das Bread maker in keiner Nähe von Wänden oder Küchenmöbeln auf.
- Stellen Sie das Bread maker so auf, dass ein Abstand zwischen ihm und einer Wand oder den Möbeln mindestens 20 cm und der Freiraum darüber nicht weniger als 50 cm beträgt.
- Lassen Sie den ans Stromnetz angeschlossenen Bread maker nie unbeaufsichtigt.
- Benutzen Sie den Bread maker in der Nähe von Spülbecken, in Badezimmern und neben den Wasserbecken oder anderen mit Wasser gefüllten Behältern nicht.
- Benutzen Sie den Bread maker in direkter Nähe von Heizgeräten, Wärmequellen oder offenem Feuer nicht.

- Es ist verboten, den Bread maker an den Orten, wo Sprays verwendet werden, sowie in der Nähe von leichtentzündbaren Flüssigkeiten, zu verwenden.
 - Stellen Sie den Bread maker auf eine ebene standfeste Oberfläche auf, stellen Sie ihn an den Tischrand nicht auf. Achten Sie darauf, dass das Netzkabel vom Tisch nicht herabhängt und heiße Oberflächen und scharfe Möbelkanten nicht berührt.
 - Berühren Sie das Netzkabel und den Netzstecker mit nassen Händen nicht.
 - Berühren Sie keine heißen Bread maker oberflächen während des Betriebs.
 - Sperren Sie die Lüftungsöffnungen am Bread maker deckel nicht ab.
 - Lassen Sie den Deckel während des Bread maker betriebs nicht offen.
 - Wenn Sie das fertiggebackene Brot herausnehmen, fassen Sie den Backformgriff an und benutzen Sie hitzebeständige Topfhandschuhe.
 - Um die Backformantihafbeschichtung nicht zu beschädigen, verwenden Sie beim Brotherausziehen keine Metallgegenstände, drehen Sie die Form um und schütteln Sie das fertige Brot heraus.
 - Wenn Sie die Backempfehlungen nicht befolgen, kann das Brot anbrennen und rauchen.
 - Entfernen Sie die Backform, bevor Sie den Bread maker reinigen, und lassen Sie das Gerät vollständig abkühlen.
 - Seien Sie sehr vorsichtig, wenn Sie Heißwasser aus dem Bread maker abgießen.
 - Trennen Sie den Bread maker vor der Reinigung oder wenn Sie ihn nicht benutzen vom Stromnetz ab. Wenn Sie den Bread maker vom Stromnetz abtrennen, halten Sie nur den Netzstecker fest und ziehen Sie ihn aus der Steckdose vorsichtig heraus; ziehen Sie das Netzkabel nicht, da es zu seiner Beschädigung und Steckdosenstörung sowie einem Kurzschluss führen kann.
 - Tauchen Sie den Bread maker ins Wasser oder andere Flüssigkeiten nicht, um das Stromschlagrisiko zu vermeiden.
 - Es ist nicht gestattet den Bread maker in der Spülmaschine zu waschen.
 - Aus Kindersicherheitsgründen lassen Sie Plastiktüten, die als Verpackung verwendet werden, nie ohne Aufsicht.
- ACHTUNG!** Lassen Sie Kinder mit Plastiktüten oder Verpackungsfolien nicht spielen. **Erstickungsgefahr!**
- Der Bread maker ist nicht für Gebrauch von Kindern geeignet.
 - Beaufsichtigen Sie Kinder, damit sie das Gerät als Spielzeug nicht benutzen.
 - Lassen Sie Kinder das Gerät und das Netzkabel während des Betriebs vom Bread maker nicht berühren.

- Während des Betriebs und des Abkühlens stellen Sie das Gerät an einen für Kinder unzugänglichen Ort auf.
- Dieses Gerät ist für Personen (darunter Kinder) mit Körper-, Nerven- und Geistesstörungen oder Personen ohne ausreichende Erfahrung und Kenntnisse nicht geeignet, wenn sie sich unter Aufsicht der Person, die für ihre Sicherheit verantwortlich ist, nicht befinden oder entsprechende Anweisungen über die Nutzung des Geräts nicht bekommen haben.
- Überprüfen Sie regelmäßig den Zustand des Netzkabels, des Netzsteckers und des Bread maker gehäuses.
- Wenn das Netzkabel beschädigt ist, soll es vom Hersteller, vom Kundendienst oder von ähnlich qualifiziertem Personal ersetzt werden, um Gefahren zu vermeiden.
- Es ist nicht gestattet, das Gerät selbständig zu reparieren. Es ist nicht gestattet, das Gerät selbständig auseinanderzunehmen; bei der Feststellung jeglicher Beschädigungen, sowie im Sturzfall, trennen Sie das Gerät vom Stromnetz ab und wenden Sie sich an einen Kundendienst.
- Transportieren Sie den Bread maker nur in der Fabrikverpackung.
- Bewahren Sie das Gerät an einem für Kinder und behinderte Personen unzugänglichen Ort auf.

DIE Bread maker IST NUR FÜR DEN GEBRAUCH IM HAUSHALT GEEIGNET, ES IST VERBOTEN, SIE ZU INDUSTRIE- ODER LABORZWECKEN ZU BENUTZEN.

BREAD MAKER VORBEREITUNG ZUM BETRIEB

Falls das Gerät bei niedrigen Temperaturen transportiert oder aufbewahrt wurde, lassen Sie es bei der Raumlufttemperatur nicht weniger als 3 Stunden bleiben.

- Packen Sie das Bread maker aus und entfernen Sie alle Verpackungsmaterialien.
- Bewahren Sie die Originalverpackung auf.
- Lesen Sie die Sicherheitsmaßnahmen und Bedienungsempfehlungen.
- Prüfen Sie die Komplettheit.
- Prüfen Sie das Bread maker auf Beschädigungen; wenn es beschädigt ist, schließen Sie es ans Stromnetz nicht an.
- Vergewissern Sie sich, dass die Stromversorgungsparameter am Zettel und die Netzstromparameter übereinstimmen.
- Wischen Sie die Außenoberfläche des Gehäuses (1) mit einem sauberen, leicht angefeuchteten Tuch zur Entstaubung ab.
- Öffnen Sie den Deckel (7).

- Heben und fassen Sie den Griff (4) der Backform (3), drehen Sie den Griff (4) entgegen dem Uhrzeigersinn und nehmen Sie die Form (3) heraus.
 - Waschen Sie die Form (3), das Paddel (9), den Meßbecher (25), den Haken (26) und den Meßlöffel (27) mit Warmwasser und einem neutralen Reinigungsmittel, spülen und trocknen Sie diese ab.
 - Setzen Sie die Backform (3) zurück auf und drehen Sie sie im Uhrzeigersinn bis zum Anschlag, setzen Sie das Teigknetpaddel (9) auf die Achse der Backform (3).
 - Machen Sie den Deckel (7) zu.
 - Stellen Sie den Bread maker so auf, dass der Abstand zwischen ihm und der Wand oder den Möbeln mindestens 20 cm und der Freiraum darüber nicht weniger als 50 cm beträgt.
 - **Anmerkung:** — der Bread maker ist für den Betrieb im breiten Temperaturbereich geeignet, jedoch beeinflusst zu hohe oder zu niedrige Raumtemperatur den Teigtriebverlauf und dementsprechend die Größe und die Dichte des Backproduktes. Die optimale Raumlufttemperatur soll im Bereich von +15 bis +34°C liegen.
- ### ERSTE BREAD MAKER EINSCHALTUNG
- Um Fremdgerüche zu entfernen, ist es empfohlen, den Bread maker ohne Zutaten und bei geöffnetem Deckel (7) erstmals einzuschalten.
 - Stecken Sie den Netzstecker in eine Steckdose ein, dabei ertönt ein Tonsignal, und die Zahlensymbole (24) «3:00» erscheinen auf dem Bildschirm (14), die Trennpunkte (22) leuchten konstant.
 - Krustenfarbeanzeige (12) «MITTEL».
 - Gewichtsanzeige (13) «1000 g».
 - Diese Einstellungen sind standardmäßig festgelegt.
 - Drücken Sie die «START/STOP»-Taste (21), um das standardeingestellte Backprogramm zu aktivieren, dabei blinken die Trennpunkte (22) auf dem Bildschirm (14).
 - Nach 10 Minuten drücken Sie erneut die «START/STOP»-Taste (21), um das Backprogramm auszuschalten, halten Sie die «START/STOP»-Taste (21) nochmals gedrückt, um die Bread maker auszuschalten, ziehen Sie den Netzstecker aus der Steckdose heraus, öffnen Sie den Deckel (7) und warten Sie ab, bis der Bread maker vollständig abkühlt.
 - **Anmerkung:** — bei erster Bread maker einschaltung können ein Fremdgeruch und eine kleine Menge Rauch vom Heizelement entstehen, es ist normal und kein Garantiefall.
 - Heben und fassen Sie den Griff (4) der Backform (3), drehen Sie den Griff (4) entgegen dem Uhrzeigersinn und nehmen Sie die Form (3) heraus.
 - Waschen Sie die Form (3) und das Paddel (9) mit Warmwasser und einem neutralen Reinigungsmittel, spülen und trocknen Sie diese ab.

- Setzen Sie die Backform (3) zurück auf und drehen Sie sie im Uhrzeigersinn bis zum Anschlag, setzen Sie das Teigknetpaddel (9) auf die Achse der Backform (3).
- Machen Sie den Deckel (7) zu.
- Der Bread maker ist betriebsbereit.

BEDIENUNGSPLATTE

Bevor Sie den Bread maker benutzen, sehen Sie bitte die Tasten auf der Bedienungsplatte (2) und die Backprogramme ein, sowie lesen Sie die Backzutatenwahlempfehlungen.

- Durchs Drücken der Tasten auf der Bedienungsplatte (2) können Sie das gewünschte Programm zum Brot- und Kuchenbacken oder Anteigen wählen, das Gebäckgewicht und Backrückstellungszeit einstellen, die Krustenfarbe wählen; die Backprogrammzyklen werden mit den Anzeigen (10, 11, 15, 16) angezeigt, das Backprogramm wird auf dem Bildschirm (14) mit den Zahlensymbolen (23) angezeigt, die Backprogrammtriebszeit wird mit den Zahlensymbolen (24) angezeigt.
- Bei jedem Drücken der aktiven Taste ertönt ein Tonsignal.
- Während des Backprogrammtriebs sind alle Tasten auf der Bedienungsplatte (2) mit Ausnahme der «START/STOP»-Taste (21) gesperrt.

«MENÜ»-Taste (17)

- Durchs Drücken der «MENÜ»-Taste (17) können Sie eines von 12 Programmen wählen, die Programmnummer wird auf dem Bildschirm (14) mit den Zahlensymbolen (23) angezeigt.
- Um den Geschmack des fertigen Gebäcks zu verbessern, können Sie erforderliche Zutaten (Nüsse, Trockenfrüchte usw.) beim zweiten Teigkneten hinzufügen, dabei ertönen die Tonsignale im richtigen Moment; öffnen Sie den Deckel (7), fügen Sie erforderliche Zutaten hinzu und schließen Sie den Deckel (7) (siehe die Tabelle).

-1- «HAUPT»

- Beinhaltet alle Brotbackstufen: Anteigen, Teigtrieb und Backen.

-2- «FRANZÖSISCH»

- Das Brotbacken dauert länger, das Brot wird mit großer Lochkrume und knuspriger Kruste erhalten.

-3- «VOLLKORN»

- Backen Sie bekömmliches Brot aus feinem und grobem Mehl. In diesem Backprogramm ist eine längere Vorwärmzeit vorgesehen, damit das Schrotmehl die Flüssigkeit besser absorbiert und besser aufreibt. Es ist nicht empfohlen, die Rückstellungsfunktion beim Backen dieses Brotes zu verwenden, da dies zu unerwünschten Ergebnissen führen kann.

-3- «SCHNELL»

- Das Brotbacken ist schneller als im «HAUPTBACKPROGRAMM», aber das Brot ist in der Regel kleiner und dichter.

-5- «SÜSS»

- Fügen Sie dem süßen Teig Backpulver oder Soda hinzu und backen Sie duftendes Gebäck.

-6- «SUPERSCHNELL 1»

- Das Programm zum Backen von Brot mit einem Gewicht von 700 Gramm. Das Brotbacken in kürzester Zeit, das Brot ist in der Regel kleiner und dichter im Vergleich zum Brot im «SCHNELL»-Programm.

-7- «SUPERSCHNELL 2»

- Das Programm zum Backen von Brot mit einem Gewicht von 1000 Gramm. Das Brotbacken in kürzester Zeit, das Brot ist in der Regel kleiner und dichter im Vergleich zum Brot im «SCHNELL»-Programm.

ACHTUNG!

Nach der Wahl der Programme 6 oder 7 gießen Sie Wasser mit einer Temperatur von 48-50°C in die Backform (3) (messen Sie die Wassertemperatur mit einem Küchenthermometer) ein. Die Wassertemperatur spielt beim schnellen und ultraschnellen Brotbacken eine entscheidende Rolle: eine zu niedrige

Wassertemperatur lässt den Teig nicht rechtzeitig ansteigen, und eine zu hohe Temperatur führt zum Hefetod.

-8- «TEIG»

- Der Bread maker knetet den Teig und lässt ihn auftreiben. Verwenden Sie den Teig für weitere Zubereitung von Hausgebäck (Piroggen, Pizza u.ä.).

-9- «GLUTENFREI»

- Backen Sie Brot aus glutenfreiem Mehl. In diesem Backprogramm ist eine längere Vorwärmzeit vorgesehen, damit das Mehl die Flüssigkeit besser absorbiert und besser auftreibt. Es ist nicht empfohlen, die Rückstellungsfunktion beim Backen dieses Brotes zu verwenden, da dies zu unerwünschten Ergebnissen führen kann.

-10- «KUCHEN»

- Das Programm zum Backen von süßem Gebäck.

-11- «SANDWICH»

- Das Programm zum Backen von Brot mit leichter Textur und dünner Kruste.

-12- «BACKEN»

- Der Bread maker funktioniert wie ein normaler Elektroofen. Das Programm schließt das Anteigen und den Teigtrieb aus. Das Programm wird verwendet, um vorfertigten Teig zu backen oder gebackenes Brot zusätzlich zu bräunen.

Programmlaufzeittabelle:

Programmnummer	Programmbezeichnung	Gewicht	Programmlaufzeit	Startrückstellungszeit	Zutatenzusatz
1	HAUPT	700 g	2:53	13:00	+
		1000 g	3:00	13:00	+
2	FRANZÖSISCH	700 g	3:40	13:00	+
		1000 g	3:50	13:00	+
2	VOLLKORN	700 g	3:32	13:00	+
		1000 g	3:40	13:00	+
4	SCHNELL	-	1:40	13:00	-
5	SÜSS	700 g	2:50	13:00	+
		1000 g	2:55	13:00	+
6	EXPRESS	700 g	0:58	13:00	-
7	DIÄTETISCH	1000 g	0:58	13:00	-
8	TEIG	-	1:30	13:00	-
9	GLUTENFREI	700g	3:15	13:00	+
		1000 g	3:20	13:00	+
10	KUCHEN	-	2:50	13:00	-

11	SANDWICH	700 g	2:55	13:00	+
		1000 g	3:00	13:00	+
12	BACKEN	-	1:00	-	-

PROGRAMMLAUFZEITABELLE:

**Programmnummer; Programmbezeichnung;
Gewicht; Programmlaufzeit; Startrückstellungszeit;
Zutatenzusatz**

«GEWICHTSWAHL»-Taste (18)

- Abhängig von der Menge eingelegter Zutaten können Sie das Gebäckgewicht — 700 g oder 1000 g — mit der Taste (18) wählen. Das Gebäckgewicht wird mit der Anzeige (13) «700 g — 1000 g» angezeigt.

«KRUSTENFARBE»-Taste (20)

- Durchs Drücken der Taste (20) können Sie die gewünschte Krustenfarbe wählen, die gewählte Krustenfarbe wird mit den Symbolen (12) «HELL-MITTEL-DUNKEL» angezeigt.

«START/STOP»-Taste (21)

- Drücken Sie die «START/STOP»-Taste (21), um das gewählte Backprogramm zu aktivieren, dabei blinken die Trennpunkte (22) auf dem Bildschirm (14).
- Nach dem Einschalten des Backprogramms sind alle Tasten auf der Bedienungsplatte (2) mit Ausnahme der «START/STOP»-Taste (21) gesperrt.
- Durch erneutes Drücken der «START/STOP»-Taste (21) wird der «Pause»-Betrieb aktiviert, dabei blinken die Rückstellungszahlensymbole (24) auf dem Bildschirm (14). Um das Backprogramm fortzusetzen, drücken Sie die «START/STOP»-Taste (21) erneut.
- Um das Backprogramm auszuschalten, halten Sie die «START/STOP»-Taste (21) gedrückt, dabei ertönt ein Tonsignal, und das eingestellte Programm wird ausgeschaltet.

«ZEITEINSTELLUNG»-Tasten (19)

- Wenn der Bread maker nicht sofort betrieben werden soll, können Sie die Rückstellungszeit zum Starten des Backprogramms mit den «ZEITEINSTELLUNG»-Tasten (19) einstellen.
- Beachten Sie bitte, dass die Rückstellungszeit die Backprogrammlaufzeit enthalten muss (siehe die Tabelle), das heißt, nach Ablauf der Rückstellungszeit startet das Backprogramm.
- Wählen Sie das gewünschte Programm mit der «MENU»-Taste (17), das auf dem Bildschirm (14) mit den Zahlensymbolen (23) angezeigt wird.
- Stellen Sie das Gewicht «700 g oder 1000 g» (13) mit der «GEWICHTSWAHL»-Taste (18) ein.
- Wählen Sie die Krustenfarbe «HELL–MITTEL–DUNKEL» (12) mit der Taste (20).
- Stellen Sie die Rückstellungszeit mit den «ZEITEINSTELLUNG»-Tasten (19) ein (beachten Sie bitte, dass die Backprogrammlaufzeit beim Einstellen der Rückstellungszeit zu berücksichtigen ist), der Einstellschritt beträgt 10 Minuten.
- Die maximale Rückstellungszeit beträgt 13 Stunden.
- Die Rückstellungszeit wird auf dem Bildschirm (14) mit den Zahlensymbolen (24) angezeigt.

Beispiel:

- Jetzt ist es 20:30 Uhr, wenn Sie möchten, dass Ihr Brot am nächsten Morgen um 7 Uhr fertig ist, d.h. nach 10 Stunden 30 Minuten.
- Wählen Sie das Backprogramm, das Backgewicht und die Krustenfarbe, drücken Sie die «ZEITEINSTELLUNG»-Tasten (19), um die Uhrzeit auf dem Bildschirm (14) auf 10:30 einstellen.
- Drücken Sie die «START/STOP»-Taste (21), um die Rückstellungsfunktion zu aktivieren, dabei blinken die Trennpunkte (22) auf dem Bildschirm (14).
- Um die Rückstellungsfunktion abzubrechen, halten Sie die «START/STOP»-Taste (21) gedrückt, dabei ertönt ein Tonsignal, und das eingestellte Rückstellungsprogramm wird ausgeschaltet.
- Nach Ablauf der Rückstellungszeit startet das eingestellte Backprogramm.
- Wenn Sie das fertige Brot nicht sofort herausnehmen, wird die Vorwärmfunktion aktiviert, die Vorwärmfunktionslaufzeit beträgt 60 Minuten.
- Benutzen Sie keine leicht verderblichen Zutaten wie Eier, frische Milch, Obst, Zwiebeln usw. zum rückstellten Backen.
- **Anmerkung:** — Die Rückstellungsfunktion ist für Programme: — 4 «SCHNELL», 6 — 7 «SUPER SCHNELL 1 und 2», 12 «BACKEN» unzugänglich.

AUFWÄRMFUNKTION

- Nach Ablauf des Backprogramms wird die Aufwärmfunktion eingeschaltet, die Aufwärmfunktionslaufzeit beträgt 60 Minuten.
- Wenn Sie das Brot herausnehmen möchten, schalten Sie die Aufwärmfunktion aus, indem Sie die «START/STOP»-Taste (21) drücken.

SPEICHERFUNKTION

- Bei einem Stromausfall während des Bread maker betriebs wird die Speicherfunktion für bis zu 10 Minuten aktiviert.
- Wenn die Stromversorgung innerhalb von 10 Minuten wiederhergestellt ist, setzt der Bread maker das eingestellte Programms da fort, wo es unterbrochen wurde.
- Wenn es keine Stromversorgung länger als 10 Minuten gibt, müssen Sie die Zutaten erneut einladen, das Programm einstellen und den Bread maker einschalten.

BREAD MAKER BETRIEBSZYKLEN

Der Bread maker hat folgende Betriebszyklen:

- Teigkneten bis eine homogene Masse. Der Teigknetzyklus wird mit der Anzeige (11) «ANTEIGEN» angezeigt.
- Der Teigtriebzyklus wird mit der Anzeige (10) «TEIGTRIEB» angezeigt.
- Der Backzyklus wird mit der Anzeige (15) «BACKEN» angezeigt.
- Die Aufwärmfunktion wird mit der Anzeige (16) «AUFWÄRMUNG» angezeigt. Nach Ablauf des Backprogramms wird die Aufwärmfunktion eingeschaltet und 60 Minuten lang aktiviert, wenn Sie das Brot herausnehmen müssen, schalten Sie die Aufwärmfunktion aus, indem Sie die «START/STOP»-Taste (21) gedrückt halten.

WICHTIGE BACKZUTATENEMPFEHLUNGEN

Mehl

- Mehl ist eine wesentliche Brotbackzutat.
- Die Eigenschaften des Mehls werden nicht nur durch die Sorte, sondern auch durch die Kornanbaubedingungen, die Bearbeitungsmethode und der Lagerung bestimmt. Versuchen Sie, das Brot aus Mehl verschiedener Hersteller und Marken zu backen, und finden Sie eines, das Ihren Anforderungen entspricht.
- Weizen- und Roggenmehl sind die Hauptarten von Backmehl.
- Weizenmehl wird aufgrund seines angenehmen Geschmacks und des hohen Nährwerts von Weizenmehlprodukten häufiger verwendet.

Brotmehl

- Das Brotmehl (raffiniertes Mehl), das nur aus dem inneren Kornteil besteht, enthält die maximale Glutenmenge, die die Elastizität der Krume gewährleistet und das Zusammenfallen des Brots verhindert.
- Backprodukte aus Brotmehl werden mästiger.

Vollkornmehl (Weizenvollkornmehl)

- Vollkornmehl (Weizenvollkornmehl) wird durchs Mahlen von Vollkornweizen zusammen mit der

Schale erhalten. Diese Mehlsorte unterscheidet sich durch den erhöhten Nahrungswert.

- Vollkornbrot kommt normalerweise kleiner heraus. Um die Verbrauchereigenschaften von Brot zu verbessern, wird Vollkornmehl häufig mit Brotmehl gemischt.

Mais- und Hafermehl

- Um die Brottextur zu verbessern und ihm zusätzlichen Geschmack zu verleihen, mischen Sie Weizen- oder Roggenmehl mit Mais- oder Hafermehl.

Zucker

- Zucker bereichert das Gebäck mit zusätzlichen Geschmacktönen und verleiht dem Brot einen goldenen Farbton.
- Zucker ist ein Nährboden fürs Hefewachstum. Geben Sie in den Backprodukten nicht nur raffinierten, sondern auch Braun- und Puderzucker zu.

Backhefe

- Das Hefewachstum geht mit der Kohlendioxidfreisetzung einher, das zur Bildung einer porösen Krume beiträgt.
- Mehl und Zucker sind ein Nährboden fürs Hefewachstum. Fügen Sie frisch gepresste oder schnelle Trockenhefe hinzu. Lösen Sie frisch gepresste Hefe in einer warmen Flüssigkeit (Wasser, Milch usw.), geben Sie schnellwirkende Hefe zu Mehl (erfordern keine Voraktivierung, d. h. Wasserzugabe).

- Befolgen Sie die Empfehlungen auf der Verpackung oder beachten Sie die folgenden Proportionen:
- 1 Teelöffel schnellwirkender Trockenhefe = 1,5 Teelöffel frisch gepresster Hefe.
- Bewahren Sie frische Backhefe im Kühlschrank auf. Bei hoher Temperatur stirbt Hefe ab und Teig geht schlecht auf.

Salz

- Salz verleiht dem Brot zusätzlichen Geschmack und Farbe, verlangsamt jedoch das Hefewachstum.
- Verwenden Sie nicht zu viel Salz. Verwenden Sie immer feines Salz (grobes Salz kann die Antihafbeschichtung der Backform beschädigen).

Eier

- Eier verbessern die Struktur und die Menge des Backproduktes, bereichern den Geschmack.
- Vor dem Zugeben von Eiern in Teig ist es empfohlen, diese gründlich zu schlagen.

Tierische und pflanzliche Fette

- Tierische und pflanzliche Fette machen Backprodukte weicher und verlängern ihre Haltbarkeit.
- Vor dem Zugeben von Milchbutter schneiden Sie es in kleine Würfel und erwärmen Sie es auf Raumtemperatur.

Backpulver und Soda

- Soda und Backpulver (Quellmehl) verkürzen die zum Teigtrieb erforderliche Zeit.

- Benutzen Sie Backpulver oder Soda, wenn Sie die Programme «SUPERSCHNELL 1 und 2» betreiben.
- Soda muss vorher mit Zitronensäure und einer kleinen Menge Mehl (5 g Speisesoda, 3 g Zitronensäure und 12 g Mehl) gemischt werden. Diese Pulvermenge (20 g) ist für 500 g Mehl gerechnet.
- Verwenden Sie keinen Essig zum Löschen von Soda, Essig macht die Krume feuchter und weniger gleichmäßig.
- Schütten Sie Backpulver (Quellmehl) in die Form einfach ein, befolgen Sie dabei die Rezeptanweisungen.

Wasser

- Die Wassertemperatur spielt beim Brotbacken eine wichtige Rolle.
- Die optimale Wassertemperatur liegt zwischen 20°C und 25°C, fürs Programm «SUPERSCHNELL 1 und 2» — zwischen 45°C und 50°C.
- Sie können Wasser durch Milch ersetzen oder den Brotgeschmack durch eine bestimmte Menge natürlichen Safts bereichern.

Milchprodukte

- Milchprodukte verbessern den Nährwert und den Brotgeschmack. Das ergibt eine schönere und appetitlichere Brotkrume.
- Verwenden Sie frische Milchprodukte oder Trockenmilch.

Zutatengewicht

- Eine der wichtigsten Brotbackbedingungen ist genaue Zutatenmenge.
- Es ist dringend empfohlen, eine Küchenwaage, einen Meßbecher (25) und einen Meßlöffel (27) zu verwenden, um die genaue Zutatenmenge zu messen, anderenfalls wird das fertige Brot Ihren Anforderungen möglicherweise nicht entsprechen.
- Füllen Sie den Meßbecher (25) mit Flüssigkeit bis zum entsprechenden Zeichen. Prüfen Sie die Dosierung, indem Sie den Meßbecher (25) auf einer ebenen Oberfläche stellen.
- Reinigen Sie den Meßbecher (25) gründlich von Resten vorheriger Zutat.
- Verdichten Sie trockene Zutaten nicht, wenn Sie diese dem Meßbecher (25) zugeben.
- Es ist wichtig, das Mehl vor dem Gebrauch durch ein Sieb zu sieben, um es mit Luft zu sättigen, dies garantiert das beste Backergebnis.

EINLEGEN DER ZUTATEN IN DIE BACKFORM (ABB. 1)

- Eine bestimmte Reihenfolge des Zutateneinlegens in die Backform (3) ist zu beachten.
- Die folgende Reihenfolge ist empfohlen:
 - Mehl; Mehl soll nicht vollständig von flüssigen Zutaten angefeuchtet werden;

- Hefe kann nur auf trockenes Mehl gegeben werden, Hefe darf nicht mit Salz in Berührung kommen;
- flüssige Zutaten, Eier, Salz, Gemüse oder Butter, Trockenmilch usw.;
- machen Sie eine kleine Vertiefung im Mehl und legen Sie die Hefe in die Vertiefung.

ZUTATENZUGEBEN

- Sie können Sie die erforderlichen Zutaten (Nüsse, Trockenfrüchte usw.) beim zweiten Teigkneten hinzufügen, dabei ertönen die Tonsignale im richtigen Moment; öffnen Sie den Deckel (7), fügen Sie erforderliche Zutaten hinzu und schließen Sie den Deckel (7).
- Wenn Sie die Rückstellungsfunktion während einer längeren Zeit verwenden, fügen Sie keine leicht verderblichen Zutaten wie Eier oder Fruchtzutaten hinzu.

BROTBACKEN

- Stellen Sie vor dem Anschließen des Bread maker ans Stromnetz sicher, dass die Betriebsspannung des Geräts und die Netzspannung übereinstimmen.
- Öffnen Sie den Deckel (7) und nehmen Sie die Backform (3) heraus.
- Vergewissern Sie sich, dass das Paddel (9) zurück aufgestellt ist.

- **Anmerkung:** — vor dem Aufsetzen des Paddels (9) ist es wünschenswert, es mit Butter, Margarine oder Pflanzenöl zu schmieren, um sein Herausnehmen aus frisch gebackenem Brot zu erleichtern.
- Legen Sie die Zutaten in der im Rezept beschriebenen Reihenfolge in die Form (3) ein. Normalerweise werden Zutaten in folgender Reihenfolge eingelegt (Abb. 1):
 1. Flüssige Zutaten.
 2. Mehl, rieselfähige Zutaten (Zucker, Salz).
 3. Hefe und Backpulver. Machen Sie eine kleine Vertiefung im Mehl und legen Sie die Hefe oder Backpulver in die Vertiefung.
- Entfernen Sie verschüttete Nahrungsmittel oder vergossene Flüssigkeiten von der Außenoberfläche der Form (3).
- Stellen Sie die Form (3) zurück auf und drehen Sie sie im Uhrzeigersinn bis zum Anschlag.
- Machen Sie den Deckel (7) zu.
- Stecken Sie den Netzstecker in eine Steckdose ein, dabei ertönt ein Tonsignal, und die Zahlensymbole (24) «3:00» erscheinen auf dem Bildschirm (14), die Trennpunkte (22) leuchten konstant.
- Krustenfarbeanzeige (12) «MITTEL».
- Gewichtsanzeige (13) «1000 g».
- Diese Einstellungen sind standardmäßig festgelegt.
- Durchs Drücken der «MENÜ»-Taste (17) können Sie eines von 12 Programmen wählen, die Programmnummer wird auf dem Bildschirm (14) mit den Zahlensymbolen (23) angezeigt.

- Abhängig von der Menge eingelegter Zutaten können Sie das Gebäckgewicht — 700 g oder 1000 g — mit der Taste (18) wählen. Das Gebäckgewicht wird mit der Anzeige (13) «700 g — 1000 g» angezeigt.
- Durchs Drücken der Taste (20) können Sie die gewünschte Krustenfarbe wählen, die gewählte Krustenfarbe wird mit den Symbolen (12) «HELL–MITTEL–DUNKEL» angezeigt.
- Stellen Sie die Rückstellungszeit durchs Drücken der «ZEITEINSTELLUNG»-Tasten (19) ein (siehe die Beschreibung im Abschnitt «BEDIENUNGSPLETTE»).
- **Anmerkung:** — überspringen Sie die Rückstellungszeiteinstellung, wenn Sie das eingestellte Backprogramm sofort starten möchten.
- Drücken Sie die «START/STOP»-Taste (21), um das Backprogramm zu aktivieren, dabei blinken die Trennpunkte (22) auf dem Bildschirm (14), die Zahlensymbole (24) zeigen die Restzeit bis zum Ende des Backprogramms an.
- Die Bread maker betriebszyklen werden mit den Anzeigen (10, 11, 15, 16) angezeigt.
- **Ratschlag:** — Nach einem 5-Minuten-Teigkneten ist es empfohlen, die Konsistenz zu prüfen. Der Teig sollte ein weicher, klebriger Klumpen sein; wenn der Teigklumpen sehr trocken ist, fügen Sie etwas Flüssigkeit hinzu, wenn der Teigklumpen zu feucht ist, fügen Sie ein wenig Mehl hinzu (1/2 bis 1 Teelöffel oder nach Bedarf).

- Der Brotbackvorgang kann übers Sichtfenster (8) im Deckel (7) beobachtet werden.

ACHTUNG!

Öffnen Sie den Deckel (7) während des Backprogramms nicht, wenn sich die Temperatur stark ändert, kann der Teig abfallen und treibt nicht auf.

- Nach Ablauf des Backprogramms ertönen Tonsignale und die Aufwärmfunktion wird eingeschaltet. Die Aufwärmfunktion läuft 60 Minuten.
- Um die Aufwärmfunktion abzubrechen und den Bread maker auszuschalten, halten Sie die «START/STOP»-Taste (21) 3 Sekunden lang gedrückt.
- Ziehen Sie den Netzstecker aus der Steckdose heraus.
- Öffnen Sie den Deckel (7) mit hitzebeständigen Küchenhandschuhen, heben und fassen Sie den Griff (4) an, drehen Sie die Backform (3) entgegen dem Uhrzeigersinn und nehmen Sie sie aus der Brotmaschine heraus.
- Lassen Sie die Form ca. 10-15 Minuten abkühlen.
- Trennen Sie das Gebäck mit einem Plastikpfannenwender von den Wänden der Form (3) ab.
- Verwenden Sie keine Metallgegenstände, die die Antihafbeschichtung der Form (3) beschädigen können.
- Um das Gebäck herauszunehmen, drehen Sie die Form (3) um und schütteln Sie sie.

- Vor dem Brotschneiden entfernen Sie das Paddel (9) mit dem Haken (26).
- Schneiden Sie das Brot mit einem scharfen Brotmesser.
- Nach dem Gebrauch waschen Sie die Form (3) und das Paddel (9) mit Warmwasser und einem neutralen Reinigungsmittel, spülen Sie und trocknen Sie sie ab. Setzen Sie das Paddel (9) in die Form (3) ein, stellen Sie die Form (3) in den Bread maker auf und schließen Sie den Deckel (7).
- Verwenden Sie zum Reinigen des Bread maker und der Backform (3) keine Metallgegenstände oder Waschlappen, Scheuer- oder Lösungsmittel.
- Trocknen Sie die Backform (3) und das Paddel (9) sorgfältig, bevor Sie diese in den Bread maker einsetzen.
- Bei Verschmutzung im Inneren der Bread maker s entfernen Sie den Schmutz und wischen Sie die Oberfläche mit einem leicht feuchten Tuch, danach trocknen Sie diese ab.
- Es ist nicht gestattet, das Bread maker gehäuse, das Netzkabel und den Netzstecker ins Wasser oder jegliche andere Flüssigkeiten einzutauchen.

REINIGUNG UND PFLEGE

- Schalten Sie den Bread maker aus, ziehen Sie den Netzstecker aus der Steckdose heraus, öffnen Sie die Deckel (7) und lassen Sie den Bread maker abkühlen.
- Wischen Sie das Gehäuse (1) und den Deckel (7) mit einem leicht angefeuchteten Tuch, danach trocknen Sie es ab.
- Waschen Sie die Backform (3), das Paddel (9), den Meßbecher (25), den Haken (26) und den Meßlöffel (27) mit Warmwasser und einem neutralen Reinigungsmittel, spülen und trocknen Sie diese ab.
- **Anmerkung:** — falls das Paddel (9) von der Achse nicht abgenommen werden kann, füllen Sie die Form (3) mit Warmwasser und warten Sie ca. 20-30 Minuten ab.

AUFBEWAHRUNG

- Bevor den Bread maker zur Aufbewahrung wegzunehmen, reinigen Sie ihn.
- Bewahren Sie das Gerät an einem trockenen, kühlen und für Kinder und behinderte Personen unzugänglichen Ort auf.

Vor der Anwendung an einen Kundendienst

Störung	Mögliche Ursache	Beseitigung
Der Brotbackofen schaltet sich nicht ein. Der Bildschirm zeigt die Zeichen «HHH».	Der Brotbackofen hat nach dem vorherigen Backen noch nicht abgekühlt.	Schalten Sie den Brotbackofen aus und ziehen Sie den Netzstecker aus der Steckdose heraus. Nehmen Sie die Backform heraus und lassen Sie den Brotbackofen auf Raumtemperatur abkühlen.
Beim Einschalten des Brotbackofens werden die Symbole «LLL» angezeigt.	Die Temperatur im Brotbackofen ist sehr niedrig.	Schalten Sie den Brotbackofen aus und ziehen Sie den Netzstecker aus der Steckdose heraus. Öffnen Sie den Deckel des Brotbackofens, nehmen Sie die Backform heraus und lassen Sie das Gerät 10 bis 20 Minuten auf Raumtemperatur erwärmen.
Beim Einschalten des Brotbackofens werden die Symbole «Err» angezeigt.	Der Temperatursensor ist defekt.	In diesem Fall wenden Sie sich an einen autorisierten Kundendienst.

Die Tabelle mit Störungen und Fehlern beim Brotbacken und Empfehlungen für deren Beseitigung weiterhin

Störung/Fehler	Mögliche Ursache	Beseitigung
Rauch aus den Deckellöchern beim Brotbacken	Die Heizelementoberfläche wird bei erster Verwendung des Brotbackofens abgebrannt. Kontakt der Zutaten mit dem Heizelement.	Vor dem ersten Gebrauch schalten Sie den Brotbackofen bei geöffnetem Deckel 10-15 Minuten lang ein. Schalten Sie den Brotbackofen aus, warten Sie ab, bis er abkühlt, und reinigen Sie das Heizelement.

Dicke Brotkruste.	Das fertige Brot blieb in der Backform und verlor viel Feuchtigkeit.	Nehmen Sie das fertige Brot sofort nach dem Backen heraus.
Das Knetpaddel kann nicht aus der Backform herausgenommen werden.	Der Teig gelangte in den Raum zwischen der Antriebswelle und dem Knetpaddel.	Nachdem Sie das Brot aus der Backform herausgenommen haben, füllen Sie diese mit Warmwasser an. Entfernen Sie das Paddel nach 20-30 Minuten.
Die Zutaten sind ungleichmäßig gerührt und schlecht gebacken.	Das eingestellte Programm ist für diese Zutaten ungeeignet. Während des Backprogramms wurde der Brotbackofendeckel mehrmals geöffnet, der Teig fiel und stieg nicht mehr auf. Einer kleine Menge flüssiger Zutaten, das Teigknetpaddel kann den Backteig nicht kneten.	Wählen Sie ein Backprogramm, das den Zutaten in der Backform entspricht. Öffnen Sie den Brotbackofendeckel nicht. Prüfen Sie die Übereinstimmung der Zutaten. Nehmen Sie die Backform heraus und versuchen Sie, das Teigknetpaddel mit der Hand zu drehen, wenn dies fehlschlägt, wenden Sie sich an einen autorisierten Kundendienst.
Das Elektromotorgeräusch ist hörbar, aber der Teig wird nicht gerührt.	Die Backform ist nicht richtig aufgestellt. Dem Teig wurde viel Mehl zugesetzt.	Prüfen Sie, ob die Backform richtig aufgestellt ist und ob das Backrezept korrekt ist. Messen Sie die Zutatenmenge immer genau mit einer Küchenwaage und einem Meßbecher.
Während des Backens ist die Backform mit dem Brot überfüllt.	Falsches Verhältnis von Hefe, Mehl und flüssigen Zutaten. Die Temperatur der flüssigen Zutaten oder der Umgebung ist zu hoch.	Prüfen Sie immer das richtige Verhältnis der Zutaten zu ihrer Temperatur und Raumtemperatur. Verwenden Sie den Brotbackofen bei einer Umgebungstemperatur von +15°C bis + 34°C.
Das Brot ist zu klein oder treibt nicht auf.	Keine oder unzureichende Hefe. Schlechte Hefequalität, hohe Temperatur der flüssigen Zutaten. Hefe kam mit Salz in Kontakt. Niedrige Raumtemperatur.	Verwenden Sie keine abgelaufene Hefe. Messen Sie die genaue Hefemenge mit einem Meßlöffel. Lassen Sie Hefe mit Salz in keinen Kontakt kommen. Verwenden Sie den Brotbackofen bei einer Umgebungstemperatur von +15°C bis + 34°C.

Brot wird beim Backen sehr rissig.	Das verwendete Mehl enthält sehr wenig Gluten. Starkes Hefewachstum oder hohe Temperatur flüssiger Zutaten.	Verwenden Sie eine bewährte Brotmehlmarke. Verwenden Sie eine bewährte Hefemarle und achten Sie auf die Temperatur flüssiger Zutaten.
Sehr dichte Backbrottextur.	Falsches Verhältnis von Mehl und flüssigen Zutaten. Es wurde zu viel Vollkornmehl verwendet.	Erreichen Sie das richtige Verhältnis von Mehl zu flüssigen Zutaten. Reduzieren Sie die Vollmehlmenge und erhöhen Sie die Hefemenge.
Große Hohlräume im fertigen Brot.	Zu viel flüssige Zutaten, Wasser oder kein Salz hinzugefügt. Erhöhte Temperatur flüssiger Zutaten.	Wählen Sie das richtige Verhältnis der Zutaten. Prüfen Sie immer die Temperatur der flüssigen Zutaten.
Viel trockenes Mehl auf der Brotkruste.	Sie benutzen Mehl mit erhöhter Glutenmenge und unzureichende Ölmenge. Kleine Menge flüssiger Zutaten.	Verwenden Sie Mehl mit normaler Glutenmenge und fügen Sie Öl hinzu. Fügen Sie die genaue Menge flüssiger Zutaten gemäß dem Rezept hinzu.
Sehr dunkle Brot- oder Kuchenkruste.	Brot- oder Kuchenkruste kann durch Zuckerüberschuss anbrennen.	Fügen Sie die genaue Menge Zucker gemäß dem Rezept hinzu. Wenn Sie bemerken, dass das Brot oder der Kuchen anzubrennen beginnt, ist es empfohlen, das Backprogramm 5-10 Minuten vor dem Ende zu unterbrechen. Bevor Sie das fertige Produkt herausnehmen, ist es empfohlen, es 15-20 Minuten bei geschlossenem Deckel im Brotbackofen zu lassen.

LIEFERUMFANG

1. Bread maker — 1 Stk.
2. Netzkabel — 1 Stk.
3. Bedienungsanleitung — 1 Stk.

TECHNISCHE EIGENSCHAFTEN

- Stromversorgung 220-240 V, ~ 50-60 Hz
- Nennleistungsaufnahme: 550 W

ENTSORGUNG

Um mögliches Schaden für die Umwelt oder die menschliche Gesundheit durch unkontrollierte Abfallentsorgung zu vermeiden, werfen Sie das Gerät und die Batterien (falls mitgeliefert) nach Beendigung ihrer Nutzungsdauer zusammen mit gewöhnlichen



Haushaltsabfällen nicht weg, geben Sie das Gerät und die Batterien in die Spezialpunkte für weitere Entsorgung über.

Die bei der Entsorgung der Erzeugnisse entstehenden Abfälle sind unbedingt zu sammeln und weiter ordnungsmäßig zu entsorgen.

Mehrere Information zur Entsorgung dieses Produkts erhalten Sie bei Ihrer lokalen Stadtverwaltung, einem Abfallentsorgungsdienst oder beim Geschäft, wo Sie dieses Produkt gekauft haben.

Der Hersteller behält sich das Recht vor, das Design, die Konstruktion und die das gemeine Gerätebetriebsprinzip nicht beeinflussenden technischen Eigenschaften ohne Vorbenachrichtigung zu verändern.

Die Gerätenutzungsdauer beträgt 3 Jahre

Das Herstellungsdatum ist in der Fabrikationsnummer angegeben.

Bei Störungsfeststellung wenden Sie sich baldigst an einen autorisierten Kundendienst.

ХЛЕБОПЕЧЬ BR2700YE

Домашняя хлебопечь предназначена для выпечки хлеба, кексов, замешивания теста.

ОПИСАНИЕ

1. Корпус
2. Панель управления
3. Форма для выпечки
4. Ручка формы для выпечки
5. Место установки крышки
6. Отверстия выхода пара
7. Крышка
8. Смотровое окно
9. Лопасть для замешивания теста

Панель управления

10. Индикация цикла подъём теста «ПОДЪЁМ»
11. Индикация цикла замешивание теста «ЗАМЕС»
12. Индикация выбора цвета корочки «СВЕТЛЫЙ — СРЕДНИЙ — ТЁМНЫЙ»
13. Индикация веса «700г -1000г»
14. Дисплей
15. Индикация цикла выпечки хлеба «ВЫПЕКАНИЕ»
16. Индикация функции подогрев «ПОДОГРЕВ»
17. Кнопка выбора программ «МЕНЮ»
18. Кнопка «ВЫБОР ВЕСА»

19. Кнопки «РЕГУЛИРОВКА ВРЕМЕНИ»
20. Кнопка «ЦВЕТ КОРОЧКИ»
21. Кнопка включения/выключения «СТАРТ/СТОП»

Дисплей

22. Разделительные точки
23. Цифровые символы программ выпечки
24. Цифровые символы времени отсрочки/времени выпечки.

Аксессуары

25. Мерный стакан
26. Крючок для извлечения лопасти
27. Мерная ложка

ВНИМАНИЕ!

Для дополнительной защиты в цепи питания целесообразно установить устройство защитного отключения (УЗО) с номинальным током срабатывания, не превышающим 30 мА, для установки УЗО обратитесь к специалисту.

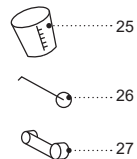
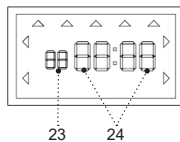
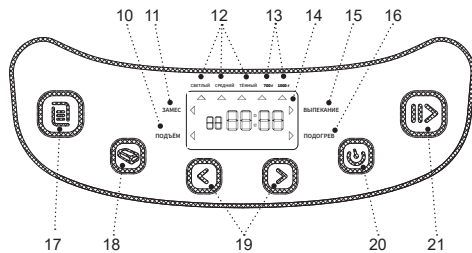
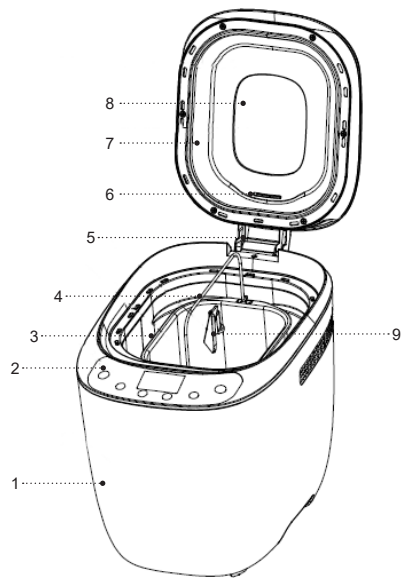


Рис. 1

МЕРЫ БЕЗОПАСНОСТИ И РЕКОМЕНДАЦИИ ПО ЭКСПЛУАТАЦИИ

Перед использованием хлебопечки внимательно ознакомьтесь с руководством по эксплуатации и сохраните его для использования в будущем.

- Используйте хлебопечку только по ее прямому назначению, как изложено в данной инструкции.
- Неправильное обращение с хлебопечкой может привести к ее поломке, причинению вреда пользователю или его имуществу и не является гарантийным случаем.
- Убедитесь, что рабочее напряжение хлебопечки, указанное на этикетке, соответствует напряжению электросети.
- Вилка шнура питания имеет контакт заземления, вставляйте её в электрическую розетку, имеющую надёжный контакт заземления. При коротком замыкании, заземление снижает риск поражения электрическим током.
- Обратитесь к специалисту-электрику, если вы не уверены в том, что ваши розетки правильно установлены и заземлены.
- Во избежание возникновения пожара запрещается использовать «переходники», предназначенные для подключения сетевой вилки к электрической розетке, не имеющей контакта заземления.
- При искрении в электрической розетке и присутствии запаха гари, выньте вилку шнура питания из

розетки и обратитесь в организацию, обслуживающую вашу домашнюю электрическую сеть.

- При появлении дыма из корпуса хлебопечки, выньте вилку шнура питания из электрической розетки и примите меры к нераспространению огня.
- Запрещается использовать хлебопечь вне помещений.
- Не рекомендуется использовать устройство во время грозы.
- Оберегайте устройство от ударов, падений, вибраций и иных механических воздействий.
- Запрещается располагать хлебопечь рядом со стенами или вблизи стенок кухонной мебели.
- Установите хлебопечь так, чтобы от стены или мебели до хлебопечки оставалось расстояние не менее 20 см, а свободное пространство над хлебопечкой составляло не менее 50 см.
- Не оставляйте хлебопечь, включённую в сеть, без присмотра.
- Не используйте хлебопечь вблизи от кухонной раковины, в ванных комнатах, около бассейнов или других ёмкостей, наполненных водой.
- Не используйте хлебопечь в непосредственной близости от нагревательных приборов, источников тепла или открытого пламени.
- Запрещается использовать хлебопечь в местах, где используются или распыляются аэрозоли, а также вблизи от легковоспламеняющихся жидкостей.

- Устанавливайте хлебопечь на ровную и устойчивую поверхность, не ставьте ее на край стола. Не допускайте, чтобы шнур питания свешивался со стола, а также следите, чтобы он не касался горячих поверхностей и острых кромок мебели.
- Запрещается прикасаться к шнуру питания и вилке шнура питания, мокрыми руками.
- Во время работы не дотрагивайтесь до горячих поверхностей хлебопечки.
- Не закрывайте вентиляционные отверстия на крышке хлебопечки.
- Во время работы хлебопечки не оставляйте крышку открытой.
- Вынимая готовый хлеб, беритесь за ручку формы для выпечки, используйте термостойкие кухонные прихватки.
- Во избежание повреждения антипригарного покрытия формы для выпечки, вынимая хлеб, не используйте металлические предметы, переверните форму и вытряхивайте из неё готовый хлеб.
- При несоблюдении рекомендаций по выпечке, возможно подгорание хлеба и появление дыма.
- Перед чистой хлебопечки извлеките форму для выпечки и дождитесь полного остывания прибора.
- Отключайте хлебопечку от электрической сети перед чистой или в том случае, если вы им не пользуетесь. При отключении хлебопечки от электрической сети держитесь только за вилку шнура питания и аккуратно выньте её из электрической

розетки, не тяните за шнур питания — это может привести к повреждению шнура питания, электрической розетки или вызвать короткое замыкание.

- Во избежание удара электрическим током не погружайте хлебопечку в воду или любые другие жидкости.
- Запрещается помещать хлебопечь в посудомоечную машину.
- Из соображений безопасности не оставляйте полиэтиленовые пакеты, используемые в качестве упаковки, без присмотра и в местах доступных для детей.

ВНИМАНИЕ! Не разрешайте детям играть с полиэтиленовыми пакетами или упаковочной плёнкой.
Опасность удушья!

- Хлебопечь не предназначена для использования детьми.
- Осуществляйте надзор за детьми, чтобы не допустить использования прибора в качестве игрушки.
- Не разрешайте детям прикасаться к устройству и к шнуру питания во время работы хлебопечки.
- Во время работы и остывания размещайте устройство в местах, недоступных для детей.
- Данное устройство не предназначено для использования лицами (включая детей) с пониженными физическими, психическими или умственными способностями, или при отсутствии у них опыта

- или знаний, если они не находятся под контролем или не проинструктированы об использовании прибора лицом, ответственным за их безопасность.
- Периодически проверяйте состояние шнура питания и вилки шнура питания.
 - При повреждении шнура питания его замену во избежание опасности должны производить изготовитель, сервисная служба или подобный квалифицированный персонал.
 - Запрещается самостоятельно ремонтировать прибор. Не разбирайте прибор самостоятельно, при возникновении любых неисправностей, а также после падения устройства выключите прибор из электрической розетки и обратитесь в сервисный центр.
 - Перевозите хлебопечь в заводской упаковке.
 - Храните устройство в местах, недоступных для детей и людей с ограниченными возможностями.

УСТРОЙСТВО ПРЕДНАЗНАЧЕНО ТОЛЬКО ДЛЯ БЫТОВОГО ИСПОЛЬЗОВАНИЯ, ЗАПРЕЩАЕТСЯ ИСПОЛЬЗОВАТЬ УСТРОЙСТВО В КОММЕРЧЕСКИХ ИЛИ ЛАБОРАТОРНЫХ ЦЕЛЯХ.

ПОДГОТОВКА ХЛЕБОПЕЧКИ К РАБОТЕ

После транспортировки или хранения устройства при пониженной температуре необходимо выдержать его при комнатной температуре не менее 3 часов.

- Распакуйте хлебопечь и удалите все упаковочные материалы.
- Сохраните заводскую упаковку.
- Ознакомьтесь с мерами безопасности и рекомендациями по эксплуатации.
- Проверьте комплектацию.
- Осмотрите хлебопечь на наличие повреждений. При наличии повреждений не включайте ее в электрическую сеть.
- Убедитесь, что параметры напряжения питания, указанные на этикетке, соответствуют параметрам электрической сети.
- Протрите наружную поверхность корпуса (1) чистой, слегка влажной тканью для удаления пыли.
- Откройте крышку (7).
- Приподнимите и возьмитесь за ручку (4) формы для выпечки (3), поверните ручку (4) против часовой стрелки и выньте форму (3).
- Промойте форму (3), лопасть (9), мерный стакан (25), крючок (26), мерную ложку (27) теплой водой с использованием нейтрального моющего средства, ополосните и просушите.
- Установите форму для выпечки (3) на место и поверните её по часовой стрелке до упора, установите лопасть для замешивания теста (9) на ось в форме для выпечки (3).
- Закройте крышку (7).
- Установите хлебопечь так, чтобы от стены или мебели до хлебопечки оставалось расстояние

не менее 20 см, а свободное пространство над хлебопечкой составляло не менее 50 см.

- **Примечание:** — хлебопечь предназначена для работы в широком диапазоне температур, однако чрезмерно высокая или низкая температура в помещении влияет на процесс подъема теста и, следовательно, на размер и плотность хлеба. Оптимальная температура в помещении должна быть от +15 до +34°C.

ПЕРВОЕ ВКЛЮЧЕНИЕ ХЛЕБОПЕЧКИ

- Для удаления посторонних запахов, рекомендуется произвести первое включение хлебопечки без загрузки ингредиентов и с открытой крышкой (7).
- Вставьте вилку шнура питания в электрическую розетку, при этом прозвучит звуковой сигнал и на дисплее (14) отобразятся цифровые символы (24) «3:00», разделительные точки (22) будут светиться постоянно.
- Индикация цвета корочки (12) «СРЕДНИЙ».
- Индикация веса (13) «1000г».
- Данные настройки, установлены по умолчанию.
- Нажмите кнопку (21) «СТАРТ/СТОП» для включения программы выпечки, установленной по умолчанию, при этом на дисплее (14) разделительные точки (22) будут мигать.
- Через 10 минут повторно нажмите кнопку (21) «СТАРТ/СТОП» для выключения программы выпечки, еще раз нажмите и удерживайте кнопку

(21) «СТАРТ/СТОП» для выключения хлебопечки, выньте вилку шнура питания из электрической розетки, откройте крышку (7) и дождитесь полного остывания хлебопечки.

- **Примечание:** — при первом включении хлебопечки возможно появление постороннего запаха или небольшого количества дыма от нагревательного элемента — это допустимо и не является гарантийным случаем.
- Приподнимите и возьмитесь за ручку (4) формы для выпечки (3), поверните ручку (4) против часовой стрелки и выньте форму (3).
- Промойте форму (3), лопасть (9) теплой водой с использованием нейтрального моющего средства, ополосните и просушите.
- Установите форму для выпечки (3) на место и поверните её по часовой стрелке до упора, установите лопасть для замешивания теста (9) на ось в форме для выпечки (3).
- Закройте крышку (7).
- Хлебопечь готова к использованию.

ПАНЕЛЬ УПРАВЛЕНИЯ

Перед использованием хлебопечки, пожалуйста, ознакомьтесь с кнопками на панели управления (2), программами выпечки и рекомендациями по выбору ингредиентов для выпечки.

- Нажатием кнопок на панели управления (2), Вы можете выбрать необходимую программу выпечки хлеба, кексов или замешивания теста, установить вес выпечки, установить время отсрочки приготовления, выбрать цвет корочки, циклы работы программы выпечки отображаются индикацией (10, 11, 15, 16), на дисплее (14) цифровыми символами (23) отображается программа выпечки, время работы программы выпечки отображается цифровыми символами (24).
- Каждое нажатие активной кнопки сопровождается звуковым сигналом.
- Во время работы программы выпечки все кнопки на панели управления (2) блокируются, кроме кнопки (21) «СТАРТ/СТОП».

КНОПКА «МЕНЮ» (17)

- Нажатием кнопки (17) «МЕНЮ», Вы можете выбрать одну из 12 программ, номер программы отображается на дисплее (14) цифровыми символами (23).
- Для улучшения вкуса готовой выпечки, Вы можете добавлять необходимые ингредиенты (орехи, сухофрукты и т.п.) во время второго замешивания теста, при этом в нужный момент будут звучать звуковые сигналы, откройте крышку (7), добавьте необходимые ингредиенты, закройте крышку (7) (см. таблицу).

-1- «КЛАССИЧЕСКИЙ»

- Включает все стадии приготовления хлеба: замес теста, расстойка (подъем) теста и выпечка.

-2- «ФРАНЦУЗСКИЙ»

- Приготовление хлеба занимает более продолжительное время, хлеб получается с крупным ноздреватым мякишем и хрустящей корочкой.

-3- «ЦЕЛЬНОЗЕРНОВОЙ»

- Выпекайте полезный хлеб из муки тонкого и грубого помола. Эта программа выпечки предусматривает более длительное время предварительного нагрева, для того, чтобы грубая мука лучше впитывала жидкость и лучше набухала. Не рекомендуется пользоваться функцией отсрочки при приготовлении этого хлеба, так как это может привести к нежелательным результатам.

-4- «КЛАССИЧЕСКИЙ БЫСТРЫЙ»

- Выпечка хлеба происходит быстрее, чем в программе «ОСНОВНОЙ», но хлеб, как правило, получается меньше по объёму и с более плотной текстурой.

-5- «СЛАДКИЙ»

- Добавьте в сладкое тесто разрыхлитель или соду и приготовьте ароматную выпечку.

-6- «ЭКСПРЕСС»

- Программа для выпечки хлеба весом 700 граммов. Выпечка хлеба в кратчайшие сроки, как правило, хлеб меньше по объёму и с более плотной текстурой по сравнению с программой «КЛАССИЧЕСКИЙ БЫСТРЫЙ».

-7- «ДИЕТИЧЕСКИЙ»

- Программа для выпечки хлеба весом 1000 граммов. Выпечка хлеба в кратчайшие сроки, как правило, хлеб меньше по объёму и с более плотной текстурой по сравнению с программой «КЛАССИЧЕСКИЙ БЫСТРЫЙ».

ВНИМАНИЕ!

Выбрав программы 6 или 7, вливайте в форму для выпечки (3) воду, температура которой 48-50°C (точность температуры воды измеряйте кухонным термометром). Температура воды играет решающую роль при быстром и сверхбыстром приготовлении хлеба: слишком низкая температура воды не позволит тесту подняться вовремя, а чрезмерно высокая приведет к гибели дрожжей.

-8- «ТЕСТО»

- Хлебопечь замешивает тесто и дает ему подняться. Используйте тесто для дальнейшего приготовления домашней выпечки (пирожков, пиццы и т.п.).

-9- «БЕЗ ГЛЮТЕНА»

- Выпекайте хлеб из муки, не содержащей глютена. Эта программа выпечки предусматривает более длительное время предварительного нагрева, для того, чтобы мука лучше впитывала жидкость и лучше набухала. Не рекомендуется пользоваться функцией отсрочки при приготовлении этого хлеба, так как это может привести к нежелательным результатам.

-10- «ВЫПЕЧКА»

- Программа для приготовления сладкой выпечки.

-11- «СЭНДВИЧ»

- Программа для выпечки хлеба с легкой текстурой с тонкой корочкой.

-12- «ВЫПЕКАНИЕ»

- Хлебопечь работает как обычная электрическая духовка. Программа исключает режимы замеса и подъема теста. Программа используется для выпекания уже готового теста или дополнительно поджаривания испеченного хлеба.

Таблица времени работы программ:

№ программы	Название программы	Вес	Время работы программы	Время отложенного старта	Добавление ингредиентов
1	КЛАССИЧЕСКИЙ	700g	2:53	13:00	+
		1000g	3:00	13:00	+
2	ФРАНЦУЗСКИЙ	700g	3:40	13:00	+
		1000g	3:50	13:00	+
2	ЦЕЛЬНОЗЕРНОВОЙ	700g	3:32	13:00	+
		1000g	3:40	13:00	+
4	КЛАССИЧЕСКИЙ БЫСТРЫЙ	-	1:40	13:00	-
5	СЛАДКИЙ	700g	2:50	13:00	+
		1000g	2:55	13:00	+
6	ЭКСПРЕСС	700g	0:58	13:00	-
7	ДИЕТИЧЕСКИЙ	1000g	0:58	13:00	-
8	ТЕСТО	-	1:30	13:00	-
9	БЕЗ ГЛЮТЕНА	700g	3:15	13:00	+
		1000g	3:20	13:00	+
10	ВЫПЕЧКА	-	2:50	13:00	-

11	СЭНДВИЧ	700г	2:55	13:00	+
		1000г	3:00	13:00	+
12	ВЫПЕКАНИЕ	-	1:00	-	-

КНОПКА «ВЫБОР ВЕСА» (18)

- В зависимости от количества заложенных ингредиентов, кнопкой (18), Вы можете выбрать вес выпечки — 700 гр. или 1000 гр. Вес выпечки отображается индикацией (13) «700г — 1000г»

КНОПКА «ЦВЕТ КОРОЧКИ» (20)

- Нажатием на кнопку (20), Вы можете выбрать необходимый цвет корочки, выбранный цвет корочки отображается символами (12) «СВЕТЛЫЙ-СРЕДНИЙ-ТЁМНЫЙ».

КНОПКА «СТАРТ/СТОП» (21)

- Нажатием на кнопку (21) «СТАРТ/СТОП», включается выбранная программа выпечки, при этом на дисплее (14) разделительные точки (22) будут мигать.
- После включения программы выпечки все кнопки на панели управления (2) будут неактивными, кроме кнопки (21) «СТАРТ/СТОП».

- Повторным нажатием на кнопку (21) «СТАРТ/СТОП» включается режим «пауза», при этом на дисплее (14) цифровые символы оставшегося времени (24) работы будут мигать. Для продолжения работы программы выпечки, ещё раз нажмите кнопку (21) «СТАРТ/СТОП».
- Для выключения программы выпечки, нажмите и удерживайте кнопку (21) «СТАРТ/СТОП», при этом прозвучит звуковой сигнал, и установленная программа выключится.

КНОПКИ «РЕГУЛИРОВКА ВРЕМЕНИ» (19)

- Если Вы хотите, чтобы хлебопечь не начала работать сразу, вы можете использовать кнопки (19) «РЕГУЛИРОВКА ВРЕМЕНИ» для установки времени отсрочки начала работы программы выпечки.
- Обратите внимание, что время отсрочки должно включать время работы программы выпечки (см. таблицу), то есть, по истечении времени отсрочки, включится программа выпечки.

- Кнопкой (17) «МЕНЮ» выберите нужную программу, которая будет отображаться на дисплее (14) цифровыми символами (23).
- Кнопкой (18) «ВЫБОР ВЕСА», установите вес «700г или 1000 г» (13).
- Кнопкой (20) выберите цвет корочки «СВЕТЛЫЙ-СРЕДНИЙ-ТЁМНЫЙ» (12).
- Кнопками (19) «РЕГУЛИРОВКА ВРЕМЕНИ» установите время отсрочки (обратите внимание, во время установки времени отсрочки учитывайте время работы программы выпечки), шаг установки 10 минут.
- Максимальное время отсрочки составляет 13 часов.
- Время отсрочки будет отображаться на дисплее (14) цифровыми значениями (24).

Пример:

Сейчас время 20:30, если вы хотите, чтобы ваш хлеб был готов на следующее утро в 7 часов, то есть через 10 часов 30 минут.

- Выберите программу выпечки, вес выпечки, цвет корочки, нажатием кнопок (19) «РЕГУЛИРОВКА ВРЕМЕНИ», установите на дисплее (14) время 10:30.
- Нажмите кнопку (21) «СТАРТ/СТОП», для включения функции отсрочки, при этом на дисплее (14) будут мигать разделительные точки (22).
- Для отмены функции отсрочки нажмите и удерживайте кнопку (21) «СТАРТ/СТОП», при этом

прозвучит звуковой сигнал, и программа отсрочки выключится.

- По истечению времени отсрочки, включится установленная программа выпечки.
- Если Вы не сразу достанете готовый хлеб, то включится функция подогрева, время работы функции подогрева 60 минут.
- Для выпечки с отсрочкой по времени не используйте скоропортящиеся ингредиенты, такие как яйца, свежее молоко, фрукты, лук и т.п.
- Примечание: — функция отсрочки недоступна для программ: — 4 «КЛАССЧИСЕКИЙ БЫСТРЫЙ», 6 и 7 «ЭКСПРЕСС И ДИЕТИЧЕСКИЙ», 12 «ВЫПЕКАНИЕ».

ФУНКЦИЯ ПОДОГРЕВА

- По истечению времени работы программы выпечки, включится функция подогрева, время работы функции подогрева 60 минут.
- Если вы хотите вынуть хлеб, выключите функцию подогрева нажатием кнопки (21) «СТАРТ/СТОП».

ФУНКЦИЯ ПАМЯТЬ

- При аварийном отключении электроэнергии во время работы хлебопечки, активируется функция памяти продолжительностью до 10 минут.
- При восстановлении электропитания в течение 10 минут хлебопечка, продолжит работу установлен-

ной программы с момента, когда работа программы была приостановлена.

- В случае отсутствия электропитания более 10 минут необходимо заново загрузить ингредиенты, установить программу и включить хлебопечку.

ЦИКЛЫ РАБОТЫ ХЛЕБОПЕЧКИ

- Хлебопечь имеет следующие циклы работы:
 - Замешивание теста до получения однородной массы. Цикл замешивания теста отображается индикацией (11) «ЗАМЕС».
 - Цикл подъёма теста, отображается индикацией (10) «ПОДЪЁМ».
 - Цикл выпечки отображается индикацией (15) «ВЫПЕКАНИЕ».
 - Функция подогрев отображается индикацией (16) «ПОДОГРЕВ». После завершения программы выпечки, включится функция подогрев, и будет работать в течение 60 минут, если необходимо вынуть хлеб, выключите функцию подогрев нажатием и удержанием кнопки (21) «СТАРТ/СТОП».

ВАЖНЫЕ РЕКОМЕНДАЦИИ ПО ИНГРЕДИЕНТАМ ДЛЯ ВЫПЕЧКИ

Мука

- Мука является важнейшим компонентом приготовления хлеба.

- Свойства муки определяются не только сортом, но и условиями выращивания зерна, способом обработки и хранения. Пробуйте печь хлеб из муки разных производителей и марок и найдите ту, которая удовлетворяет вашим потребностям.
- Пшеничная и ржаная мука являются основными видами хлебопекарной муки.
- Пшеничная мука находит более широкое применение, что обусловлено приятными вкусовыми качествами и высокой пищевой ценностью изделий из пшеничной муки.

Хлебопекарная мука

- Хлебопекарная (рафинированная) мука, состоящая только из внутренней части зерна, содержит максимальное количество клейковины, которая обеспечивает эластичность мякиша и предотвращает опадание хлеба.
- Выпечка из хлебопекарной муки получается более пышной.

Цельнозерновая мука (обойная)

- Цельнозерновую (обойную) муку получают путем перемалывания цельных зерен пшеницы вместе с оболочкой. Этот сорт муки отличается повышенной питательной ценностью.
- Цельнозерновой хлеб обычно получается меньшего размера. Для улучшения потребительских свойств хлеба цельнозерновую муку часто смешивают с хлебопекарной.

Кукурузная и овсяная мука

- Для улучшения текстуры хлеба и придания ему дополнительных вкусовых качеств смешивайте пшеничную или ржаную муку с кукурузной или овсяной.

Сахар

- Сахар обогащает выпечку дополнительными вкусовыми оттенками и придает хлебу золотистый оттенок.
- Сахар является питательной средой для роста дрожжей. Добавляйте в выпечку не только рафинированный, но и коричневый сахар, а также сахарную пудру.

Дрожжи

- Рост дрожжей сопровождается выделением углекислого газа, который способствует образованию пористого мякиша.
- Мука и сахар являются питательной средой для роста дрожжей. Добавляйте свежие прессованные или быстродействующие сухие дрожжи. Свежие прессованные дрожжи растворяйте в теплой жидкости (воде, молоке и т.п.), быстродействующие дрожжи добавляйте в муку (не требуют предварительной активации, т.е. добавления воды).
- Следуйте рекомендациям на упаковке или соблюдайте следующие пропорции:

- 1 чайная ложка быстродействующих сухих дрожжей = 1,5 чайной ложки свежих прессованных дрожжей.
- Храните свежие дрожжи в холодильнике. Высокая температура убивает дрожжи, и в этом случае тесто поднимается плохо.

Соль

- Соль придает хлебу дополнительный вкус и цвет, но замедляет рост дрожжей.
- Не используйте чрезмерное количество соли. Всегда используйте мелкую соль (крупная соль может повредить антипригарное покрытие формы для выпечки).

Яйца

- Яйца улучшают структуру и объем выпечки, обогащают вкус.
- Перед добавлением яиц в тесто, рекомендуется их тщательно взбить.

Животные и растительные жиры

- Животные и растительные жиры делают выпечку мягче и увеличивают срок хранения.
- Прежде чем добавить сливочное масло, его следует порезать на небольшие кубики и подогреть до комнатной температуры.

Пекарский порошок и сода

- Сода и пекарский порошок (разрыхлитель) укорачивают время, необходимое для подъема теста.
- Используйте разрыхлитель или соду при использовании программ «ЭКСПРЕСС И ДИЕТИЧЕСКИЙ».
- Соду необходимо предварительно смешать с лимонной кислотой и небольшим количеством муки (5 г пищевой соды, 3 г лимонной кислоты и 12 г муки). Это количество порошка (20 г) рассчитано на 500 г муки.
- Не используйте для гашения соды уксус, использование уксуса делает мякиш более влажным и менее однородным.
- Пекарский порошок (разрыхлитель) просто засыпьте в форму, следуя указаниям в рецепте.

Вода

- Температура воды играет важную роль при выпечке хлеба.
- Оптимальная температура воды составляет от 20 до 25°C, для программы «ЭКСПРЕСС И ДИЕТИЧЕСКИЙ» от 45 до 50°C.
- Можно заменить воду молоком или обогатить вкус хлеба, добавив некоторое количество натурального сока.

Молочные продукты

- Молочные продукты улучшают питательную ценность и вкус хлеба. Хлебный мякиш получается более красивый и аппетитный.

- Используйте свежие молочные продукты или сухое молоко.

Вес ингредиентов

- Одним из важных условий для приготовления хлеба, является использование точного количества ингредиентов.
- Настоятельно рекомендуется использовать кухонные весы, мерный стаканчик (25) и мерную ложку (27), чтобы отмерить точное количество ингредиентов, в противном случае готовый хлеб может не удовлетворить вашу потребность.
- Наполните мерный стакан (25) жидкостью до соответствующей отметки. Проверьте дозировку, установив стакан (25) на ровной поверхности.
- Тщательно очищайте мерный стакан (25) от остатков предыдущего ингредиента.
- Сухие ингредиенты не уплотняйте, насыпая их в мерный стакан (25).
- Важно перед использованием, просеивать муку через сито для насыщения её воздухом, это гарантирует наилучший результат выпечки.

ПОРЯДОК ЗАКЛАДКИ ИНГРЕДИЕНТОВ В ФОРМУ ДЛЯ ВЫПЕЧКИ (РИС. 1)

- Необходимо соблюдать последовательность закладки ингредиентов в форму для выпечки (3).
- Рекомендуется следующая последовательность:
 - мука; мука не должна полностью смачиваться жидкими ингредиентами;

- дрожжи можно класть только на сухую муку, дрожжи не должны соприкасаться с солью;
- жидкие ингредиенты, яйца, соль, растительное или сливочное масло, сухое молоко и т.п.;
- сделайте небольшое углубление в муке и поместите дрожжи в углубление.

ДОБАВЛЕНИЕ ИНГРЕДИЕНТОВ

- Вы можете добавлять необходимые ингредиенты (орехи, сухофрукты и т.п.) во время второго замешивания теста, при этом в нужный момент будут звучать звуковые сигналы, откройте крышку (7), добавьте необходимые ингредиенты, закройте крышку (7).
- Если Вы используете функцию отсрочки в течение длительного времени, никогда не добавляйте скоропортящиеся ингредиенты, такие как яйца, фруктовые ингредиенты.

ВЫПЕЧКА ХЛЕБА

- Перед включением хлебопечки в сеть убедитесь, что рабочее напряжение устройства соответствует напряжению в электрической сети.
- Откройте крышку (7) и выньте форму для выпечки (3).
- Убедитесь, что лопасть (9), установлена на место.
- **Примечание:** — перед установкой лопасти (9) её желательно смазать сливочным маслом, маргарином или растительным маслом, это облегчит её извлечение из свежес выпеченного хлеба.

• Поместите ингредиенты в форму (3) в той последовательности, которая описана в рецепте. Обычно ингредиенты помещаются в следующей последовательности (рис. 1):

1. Жидкие ингредиенты.
 2. Мука, сыпучие ингредиенты (сахар, соль).
 3. Дрожжи и разрыхлитель. Сделайте небольшое углубление в муке и поместите дрожжи или разрыхлитель в углубление.
- Просыпавшиеся продукты или пролившиеся жидкости удалите с внешней поверхности формы (3).
 - Установите форму (3) на место и поверните её по часовой стрелке до упора.
 - Закройте крышку (7).
 - Вставьте вилку шнура питания в электрическую розетку, при этом прозвучит звуковой сигнал и на дисплее (14) отобразятся цифровые символы (24) «3:00», разделительные точки (22) будут светиться постоянно.
 - Индикация цвета корочки (12) «СРЕДНИЙ».
 - Индикация веса (13) «1000г».
 - Данные настройки, установлены по умолчанию.
 - Нажатием кнопки (17) «МЕНЮ», Вы можете выбрать одну из 12 программ, номер программы отображается на дисплее (14) цифровыми символами (23).
 - В зависимости от количества заложенных ингредиентов, кнопкой (18), Вы можете выбрать вес выпечки — 700 гр. или 1000 гр. Вес выпечки отображается индикацией (13) «700г — 1000г».

- Нажатием на кнопку (20), Вы можете выбрать необходимый цвет корочки, выбранный цвет корочки отображается символами (12) «СВЕТЛЫЙ-СРЕДНИЙ-ТЕМНЫЙ».
- Установите время отсрочки приготовления нажатиями кнопок (19) «РЕГУЛИРОВКА ВРЕМЕНИ» (см. описание в разделе «ПАНЕЛЬ УПРАВЛЕНИЯ»).
- **Примечание:** — пропустите установку времени отсрочки, если хотите начать работу установленной программы выпечки немедленно.
- Нажмите кнопку (21) «СТАРТ/СТОП» для включения программы выпечки, при этом на дисплее (14) разделительные точки (22) будут мигать, цифровыми символами (24) будет показано время, оставшееся до окончания работы программы выпечки.
- Циклы работы хлебопечки отображаются индикацией (10, 11, 15, 16).
- Совет: — после 5 минутного замешивания теста рекомендуется проверить его консистенцию. Тесто должно представлять мягкий, липкий комок, если комок теста очень сухой, добавьте в него немного жидкости, если комок теста слишком влажный, добавьте немного муки (от 1/2 до 1 чайной ложки или по мере необходимости).
- Процесс выпечки хлеба можно контролировать через смотровое окно (8) в крышке (7).

ВНИМАНИЕ!

Во время работы программы выпечки, никогда не открывайте крышку (7), при резком изменении температуры, тесто может опасть и уже не поднимется.

- После завершения программы выпечки, прозвучат звуковые сигналы и включится функция подогрев, время работы функции подогрев 60 минут.
- Для отмены функции подогрева и выключения хлебопечки, нажмите и удерживайте кнопку (21) «СТАРТ/СТОП» в течение 3 секунд.
- Выньте вилку шнура питания из электрической розетки.
- Откройте крышку (7), используя термостойкие кухонные прихватки, приподнимите и возьмитесь за ручку (4), поверните форму для выпечки (3) против часовой стрелки и выньте её из хлебопечки.
- Дайте форме остыть, приблизительно 10-15 минут.
- Отделите выпечку от стенок формы (3), используя пластиковую кухонную лопатку.
- Запрещается использовать металлические предметы, которые могут повредить антипригарное покрытие формы (3).
- Для извлечения выпечки переверните форму (3) и потрясите её.
- Перед нарезкой хлеба выньте лопасть (9) при помощи крючка (26).

- Режьте хлеб острым хлебным ножом.
- После использования промойте форму (3) и лопасть (9) тёплой водой с использованием нейтрального моющего средства, ополосните и просушите. Установите лопасть (9) в форму (3), установите форму (3) в хлебопечку, закройте крышку (7).

ЧИСТКА И УХОД

- Выключите хлебопечку, выньте вилку шнура питания из электрической розетки, откройте крышку (7) и дайте хлебопечке остыть.
- Протрите корпус (1) и крышку (7) слегка влажной тканью, после чего вытрите насухо.
- Форму для выпечки (3), лопасть (9), мерный стакан (25), крючок (26) и ложку (27) промойте теплой водой с нейтральным моющим средством, ополосните и просушите.
- **Примечание:** — если лопасть (9) не снимается с оси, наполните форму (3) теплой водой и подождите около 20-30 минут.
- Не используйте металлические предметы или мочалки, абразивные чистящие средства и растворители для чистки хлебопечки и формы для выпечки (3).
- Тщательно просушите форму для выпечки (3) и лопасть (9), прежде чем устанавливать их в хлебопечку.

- При наличии загрязнений на внутренней поверхности хлебопечки, удалите загрязнения и протрите поверхность слегка влажной тканью, после чего вытрите насухо.
- Не погружайте корпус хлебопечки, шнур питания и вилку шнура питания в воду или любые другие жидкости.

ХРАНЕНИЕ

- Прежде чем убрать хлебопечку на длительное хранение, отключите ее от электросети,
- дайте устройству остыть и слейте воду.
- Проведите чистку хлебопечки.
- Храните хлебопечку в местах, недоступных для детей и людей с ограниченными возможностями.

КОМПЛЕКТ ПОСТАВКИ

1. Хлебопечка — 1 шт.
2. Мерный стакан — 1 шт.
3. Крючок — 1 шт.
4. Мерная ложка — 1 шт.

ТЕХНИЧЕСКИЕ ХАРАКТЕРИСТИКИ

- Электропитание: 220-240 В, ~ 50-60 Гц
- Номинальная потребляемая мощность: 550 Вт

Перед обращением в сервисный центр.

Неисправность	Возможная причина	Способ устранения
Хлебопечь не включается. На дисплее отображаются символы «ННН».	Хлебопечь еще не остыла после предыдущей выпечки.	Отключите хлебопечь и выньте вилку шнура питания из электрической розетки. Выньте форму для выпечки и дайте хлебопечке остыть до комнатной температуры.
Если при включении хлебопечки, на дисплее отображаются символы «LLL».	Температура внутри хлебопечки очень низкая.	Отключите хлебопечь и выньте вилку шнура питания из электрической розетки. Откройте крышку хлебопечки, выньте форму для выпечки и дайте устройству прогреться до комнатной температуры в течение 10 — 20 минут.
Если при включении хлебопечки, на дисплее отображаются символы «Егг».	Неисправен температурный датчик.	В этом случае обратитесь в авторизованный сервисный центр.

Таблица неисправностей и недостатков при выпечке хлеба и рекомендации по их устранению в дальнейшем.

Неисправность/Недостаток	Возможная причина	Способ устранения
Дым из отверстий в крышке при выпекании хлеба	"При первом использовании хлебопечки, обгорает поверхность нагревательного элемента. Попадание ингредиентов на нагревательный элемент."	"Перед первым использованием хлебопечки, включите её на 10-15 минут с открытой крышкой. Отключите хлебопечку, дождитесь её остывания, очистите нагревательный элемент. "
Толстая корка хлеба.	Готовый хлеб оставался в форме для выпечки и потерял много влаги.	Вынимайте готовый хлеб из формы, сразу после выпечки.

Лопасть для замешивания, не вынимается из формы для выпечки.	Тесто попало в зазор между приводным валом и лопастью для замешивания теста.	После того, как вы вынули хлеб из формы, залейте форму для выпечки тёплой водой. Через 20-30 минут выньте лопасть.
Ингредиенты неравномерно перемешиваются и плохо выпекаются.	<p>Установленная программа не подходит к этому набору ингредиентов.</p> <p>Во время работы программы выпечки несколько раз открывалась крышка хлебопечки, тесто опало и больше не поднялось.</p> <p>Малое количество жидких ингредиентов, лопасть для замешивания теста не способна замесить тесто для выпечки.</p>	<p>Выбирайте программу выпечки, которая соответствует заложенным в форму для выпечки ингредиентам. Не открывайте крышку хлебопечки.</p> <p>Проверьте соответствие заложенных ингредиентов.</p> <p>Выньте форму для выпечки и попробуйте рукой прокрутить лопасть для выпечки, если это не удаётся, обратитесь в авторизованный сервисный центр.</p>
Слышен звук работы электромотора, но тесто не перемешивается.	<p>Форма для выпечки неправильно установлена.</p> <p>В тесто добавлено очень много муки.</p>	<p>Проверьте правильность установки формы для выпечки и правильность рецепта для выпечки.</p> <p>Всегда точно отмеряйте количество ингредиентов, используя кухонные весы и мерный стакан.</p>
Во время выпечки хлеб переполняет форму для выпечки.	Неправильное соотношение количества дрожжей, муки и жидких ингредиентов. Температура жидких ингредиентов или окружающей среды слишком высокая.	<p>Всегда проверяйте правильность соотношения ингредиентов их температуру и температуру в помещении.</p> <p>Используйте хлебопечку при температуре окружающей среды в пределах от +15 до +34°C.</p>
Размер хлеба слишком мал или хлеб не поднимается.	<p>Отсутствие дрожжей или недостаточное их количество. Плохое качество дрожжей, высокая температура жидких ингредиентов.</p> <p>Дрожжи вступили в контакт с солью.</p> <p>Низкая температура в помещении.</p>	<p>Не используйте дрожжи с прошедшим сроком годности.</p> <p>Отмеряйте точное количество дрожжей, используя мерную ложку.</p> <p>Не допускайте соприкосновения дрожжей с солью.</p> <p>Используйте хлебопечку при температуре окружающей среды в пределах от +15 до +34°C.</p>

<p>Хлеб сильно растрескивается при выпечке.</p>	<p>Используемая мука содержит очень мало клейковины. Очень высокая скорость роста дрожжей или высокая температура жидких ингредиентов.</p>	<p>Используйте проверенную марку хлебной муки. Используйте проверенную марку дрожжей и соблюдайте температуру жидких ингредиентов.</p>
<p>Структура выпеченного хлеба очень плотная.</p>	<p>Неправильное соотношение муки и жидких ингредиентов. Использовалось слишком много цельной пшеничной муки.</p>	<p>Добейтесь правильного соотношения муки и жидких ингредиентов. Уменьшите количество цельной муки и увеличьте количество дрожжей.</p>
<p>Внутри готового хлеба очень большие полости.</p>	<p>Избыток жидких ингредиентов, воды или не добавлена соль. Повышенная температура жидких ингредиентов.</p>	<p>Выбирайте правильное соотношение ингредиентов. Всегда проверяйте температуру жидких ингредиентов.</p>
<p>На корочке хлеба много сухой муки.</p>	<p>Использовалась мука с повышенным количеством клейковины, и недостаточное количество масла. Малое количество жидких ингредиентов.</p>	<p>Используйте муку с нормальным количеством клейковины и добавляйте масло. Добавляете точное количество жидких ингредиентов в соответствии с рецептом.</p>
<p>Очень тёмная корка хлеба или кекса.</p>	<p>Из-за избыточного количества сахара корка хлеба или кекса может подгореть.</p>	<p>Добавляйте точное количество сахара в соответствии с рецептом. Если вы заметили, что хлеб или кекс начинает подгорать, рекомендуется прервать программу выпечки за 5-10 минут до её окончания. Перед тем, как вынуть готовый продукт, рекомендуется оставить его в хлебнице на 15-20 минут при закрытой крышке.</p>

УТИЛИЗАЦИЯ



Чтобы предотвратить возможный вред окружающей среде или здоровью людей от неконтролируемой утилизации отходов, после окончания срока службы устройства или элементов питания (если входят в комплект) не выбрасывайте их вместе с обычными бытовыми отходами, передайте прибор и элементы питания в специализированные пункты для дальнейшей утилизации.

Отходы, образующиеся при утилизации изделий, подлежат обязательному сбору с последующей утилизацией в установленном порядке.

Для получения дополнительной информации об утилизации данного продукта обратитесь в местный муниципалитет, службу утилизации бытовых отходов или в магазин, где Вы приобрели данный продукт.

Производитель сохраняет за собой право изменять дизайн, конструкцию и технические характеристики, не влияющие на общие принципы работы устройства, без предварительного уведомления.

Срок службы устройства — 3 года

Дата производства указана в серийном номере.

В случае обнаружения каких-либо неисправностей необходимо обратиться в авторизованный сервисный центр.

НАН ПІСІРЕТІН ПЕШ BR2700YE

Үйде нан пісіретін пеш нан, көкестер пісіруге, қамыр илеуге арналған.

СИПАТТАМАСЫ

1. Корпусы
2. Басқару панелі
3. Пісіруге арналған қалып
4. Пісіруге арналған қалып тұтқасы
5. Қақпақты орнататын орын
6. Бу шығатын тесіктер
7. Қақпақ
8. Қарау терезесі
9. Қамыр илеуге арналған қалақтар

Басқару панелі

10. «КӨТЕРІЛУ» қамырдың көтерілу циклының индикациясы
11. «ИЛЕУ» қамырды илеу циклының индикациясы
12. «АҚШЫЛ — ОРТАША- КҮҢГІРТ» карточка түсін таңдау индикациясы
13. «700г -1000г» салмақ индикациясы
14. Дисплей
15. «ПІСІРУ» нан пісіру циклының индикациясы
16. «ҚЫЗДЫРУ» қыздыру функциясының индика-

циясы

17. «МӘЗІР» бағдарламаларды таңдау батырмасы
18. «САЛМАҚТЫ ТАҢДАУ» батырмасы
19. «УАҚЫТТЫ РЕТТЕУ» батырмасы
20. «ҚЫРТЫС ТҮСІ» батырмасы
21. «СТАРТ/ТОҚТА» қосу/сөндіру батырмасы

Дисплей

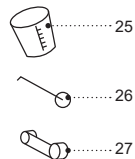
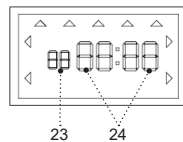
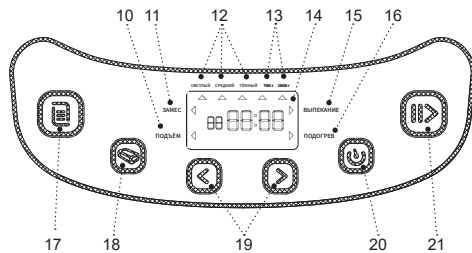
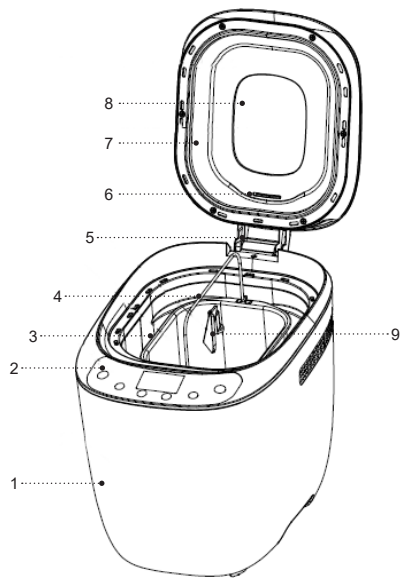
22. Бөлу нүктелері
23. Пісіру бағдарламаларының цифрлық таңбалары
24. Кейінге қалдыру/пісіру уақытының цифрлық таңбалары.

Аксессуарлар

25. Өлшеуіш стақан
26. Қалақты алуға арналған ілгек
27. Өлшеуіш қасық

НАЗАР АУДАРЫҢЫЗ!

Қосымша қорғаныс үшін қоректендіру тізбегінде номиналдық іске қосылу тогы 30 мА аспайтын қорғаныс сөндіру құралын (ҚСҚ) орнатқан дұрыс, ҚСҚ-ны орнату үшін маманға жүгініңіз.



Сур. 1

ҚАУІПСІЗДІК ШАРАЛАРЫ ЖӘНЕ ПАЙДАЛАНУҒА БЕРУ БОЙЫНША КЕҢЕСТЕР

Нан пісіретін пеш пайдалану алдында пайдалану нұсқаулығын мұқият оқып шығыңыз, оқыған соң болшақта пайдалану үшін сақтап қойыңыз.

- Нан пісіретін пеш осы нұсқаулықта көрсетілгендей тікелей мақсатына бойынша ғана пайдаланыңыз.
- Нан пісіретін пеш дұрыс қолданбау оның бұзылуына, және пайдаланушыға немесе оның мүлкіне зиян келтіруге әкеп соғуы мүмкін және кепілдік жағдайы болып саналмайды.
- Заттаңбада көрсетілген нан пісіретін пеш ң жұмыс кернеуі электр желісінің кернеуіне сәйкес екеніне көз жеткізіңіз.
- Қуаттандыру бауы айырының тұйықтандыру байланысы бар, оны тұйықтандырудың сенімді байланысы бар электрлік розеткаға қосыңыз. Қысқа матасу кезінде тұйықтандыру электрлік ток соғу қаупін төмендетеді.
- Егер розетканың дұрыс орнатылғанына және жерге қосуына сенімді болмасаңыз, электр маманына хабарласыңыз.
- Өрттің шығуын болдырмау үшін жерге қосу түйісуі жоқ электр розеткасына қосуға арналған, желілік айыр «өткізгіштерін» пайдалануға тыйым салынады.
- Күйік иісі және от ұшқыны пайда болған кезде, розеткадан желі бауының айырын шығарыңыз және

үйдің электр желісіне қызмет көрсететін ұйымға хабарласыңыз.

- Нан пісіретін пеш корпусынан түтін шыққан кезде қуаттандыру бауының айырын электрлік розеткадан шығарыңыз және от таралмауға қатысты шараларды қолданыңыз.
- Нан пісіретін пеш үй-жайдан тыс жерде пайдалануға тыйым салынады.
- Найзағай кезінде құралды пайдалануға кеңес берілмейді.
- Құралды соққыдан, құлаудан, дірілден және басқа да механикалық өсерлерден сақтаңыз.
- Нан пісіретін пеш қабырғалардың қасында немесе асүйлік жиһаз қабырғаларына таяу орналастыруға тыйым салынады.
- Нан пісіретін пеш қабырғадан немесе жиһаздан нан пісіретін пеш қа дейін кемінде 20 см аралық болатындай, ал нан пісіретін пеш ң үстіндегі бос кеңістік кемінде 50 см құратындай етіп орналастыру керек.
- Желіге қосулы тұрған нан пісіретін пеш қараусыз қалдырмаңыз.
- Нан пісіретін пеш ас үй раковинасына жақын, жуынатын бөлмеде, бассейндер немесе басқа да су толтырылған сыйымдылықтарға жақын жерде пайдалануға болмайды.
- Нан пісіретін пеш жылытатын аспаптардың, ашық оттың немесе жылу көздерінің тікелей қасында пайдалануға болмайды.

- Нан пісіретін пеш аэрозольдар пайдаланылатын немесе шашырайтын жерлерде, сондай-ақ тез тұтанатын сұйықтықтарға жақын жерлерде пайдалануға тыйым салынады.
- Нан пісіретін пеш тегіс және тұрақты бетке орнатыңыз, оны үстелдің шетіне қоймаңыз. Желілік бауының үстелден салбырап тұруына жол бермеңіз, сонымен бірге оның ыстық беттермен және жиһаздың үшкір жиектерімен жанаспауын қадағалаңыз.
- Жұмыс кезінде нан пісіретін пештің ыстық бетіне тиіспеңіз.
- Нан пісіретін пештің қақпағындағы желдеткіш тесіктерін жаппаңыз.
- Нан пісіретін пештің жұмысы кезінде қақпағын ашық қалдырмаңыз.
- Дайын нанды алып жатқанда, пісірмеге арналған қалып тұтқасынан ұстаңыз, термотөзімді асүйлік қолғаптарды қолданыңыз.
- Пісірмеге арналған қалыптың күйге қарсы жабынының бүлінуін болдырмау үшін нанды алу барысында металл заттарды пайдаланбаңыз, қалыпты аударыңыз және одан дайын нанды сілкіңіз.
- Пісірме бойынша ұсынымдарды сақтамаған жағдайда, нанның күйі және түтіннің пайда болуы мүмкін.
- Нан пісіретін пешті тазаламас бұрын пісірмеге арналған қалыпты шығарыңыз және аспаптың толық суығанын күтіңіз.
- Қайнаған суға толы нан пісіретін пеш тасымалдаған кезде сақ болыңыз. Нан пісіретін пеш суын төккенде абайлаңыз, нан пісіретін пеш күрт еңкейтпеңіз, нан пісіретін пеш ұқыпсыз пайдаланғанда, сіз ыстық суға күйіп қалуыңыз мүмкін.
- Нан пісіретін пеш тазалау алдында немесе пайдаланбайтын болған жағдайда, оны электр желісінен ажыратыңыз. Нан пісіретін пеш желіден ажыратқан кезде тек айырынан ұстаңыз және оны электр розеткасынан абайлап шығарыңыз, сымнан тартпаңыз — бұл сымның және розетканың зақымдануына әкелуі және қысқа тұйықталуын тудыруы мүмкін.
- Электр тогының соғу қаупін болдырмас үшін нан пісіретін пеш суға немесе кез-келген басқа да сұйықтыққа салуға болмайды.
- Нан пісіретін пеш ыдыс жуатын машинаға салуға тыйым салынады.
- Балалардың қауіпсіздігі моқсатында орама ретінде қолданылатын полиэтилен қапшықтарды қараусыз қалдырмаңыз.

НАЗАР АУДАРЫҢЫЗ! Балаларға полиэтилен пакеттерімен немесе қаптама үлдірімен ойнауға рұқсат етпеңіз. **Тұншығу қаупі бар!**

- Электрлік нан пісіретін пеш балалардың пайдалануына арналмаған.

- Аспапты ойыншық ретінде пайдаланбас үшін балаларды қадағалап отырыңыз.
- Электрлік нан пісіретін пеш жұмыс істеп тұрғанда, балаларға қуаттандыру бауына және құралға тиісуіне балаларға рұқсат бермеңіз.
- Жұмыс кезінде және жуу кезінде құралды балалардың қолы жетпейтін жерге қойыңыз.
- Осы құрал дене, психикалық немесе ақыл-ой мүмкіндіктері төмендетілген тұлғалардың
- (балаларды қоса) немесе олардың тәжірибесі немесе білімі болмаса, егер олар бақыланбаса немесе олардың қауіпсіздігі үшін жауап беретін тұлғамен аспапты пайдалану туралы нұсқаулықтар берілген болмаса, олардың пайдалануына арналмаған.
- Қуаттандыру бауының желі айыры және нан пісіретін пеш корпусының жағдайын мезгілімен тексеріңіз.
- Қуаттандыру бауы зақымданғанда қауіп тудырмау үшін оны дайындаушы, сервистік қызмет немесе баламалы білікті маман ауыстыруы тиіс. Аспапты өз бетіңізбен жөндеуге тыйым салынады. Аспапты өз бетіңізбен жөндемеңіз, кез-келген ақаулықтар пайда болған кезде, сондай-ақ құрал құлағаннан кейін аспапты электр розеткасынан ажыратып, қызмет көрсету орталығына хабарласыңыз.
- Құралды тек зауыт қаптамасымен ғана тасымалдаңыз.

- Құралды балалардың және мүмкіндіктері шектеулі адамдардың қолы жетпейтін жерде сақтаңыз.

НАН ПІСІРЕТІН ПЕШ ТЕК ТҰРМЫСТЫҚ ПАЙДАЛАНУҒА АРНАЛҒАН, КОФЕҚАЙНАТҚЫШТЫ КОМЕРЦИЯЛЫҚ НЕМЕСЕ ЗЕРТХАНАЛЫҚ МАҚСАТТАРДА ПАЙДАЛАНУҒА ТЫЙЫМ САЛЫНАДЫ.

НАН ПІСІРЕТІН ПЕШ ЖҰМЫСҚА ДАЙЫНДАУ

Құралды төмен температура кезінде тасымалдағаннан немесе сақтағаннан кейін оны бөлме температурасында 3 сағаттан кем емес уақыт ұстау керек.

- Нан пісіретін пеш қаптамадан шығарыңыз және барлық қаптамалық материалдарды алып тастаңыз.
- Зауыттық қаптамасын сақтап қойыңыз.
- Қауіпсіздік шаралары мен пайдалануға беруге қатысты кеңестермен танысыңыз.
- Жинақталымын тексеріңіз.
- Нан пісіретін пеш зақымдануына қатысты тексеріп алыңыз, зақымдануы болған жағдайда оны электрлік желіге қоспаңыз.
- Заттаңбада көрсетілген қуаттандыру көрнеуінің параметрлері электр желісінің параметрлеріне сәйкес келетініне көз жеткізіңіз.
- Корпустың (1) сыртқы бетін таза, шаңды сүртуге арналған сәл дымқыл матамен сүртіңіз.

- Қақпақты (7) ашыңыз.
- Көтеріңкіреңіз және пісіруге арналған қалып (3) тұтқасынан (4) ұстаңыз, тұтқаны (4) сағат тіліне қарсы бұрыңыз және қалыпты (3) шығарыңыз.
- Қалыпты (3), қалақты (9), өлшегіш стақанды (25), ілгекті (26), өлшегіш қасықты (27) бейтарап жуу құралын пайдаланып жылы сумен жуып жіберіңіз, шайыңыз және кептіріңіз.
- Пісіруге арналған қалыпты (3) орнына орнатыңыз және оны сағат тілі бойынша тірелгенге дейін бұрыңыз, қамыр илеуге арналған қалақты (9) пісіруге арналған қалыптағы оське (3) орнатыңыз.
- Қақпақты (7) жабыңыз.
- Нан пісіретін пешті қабырғадан немесе жиһаздан нан пісіретін пешке дейінгі қашықтық 20 см-ден кем болмайтындай, ал нан пісіретін пештің үстіндегі бос кеңістік 50 см-ден кем болмайтындай етіп орнатыңыз.
- **Ескертпе:** — нан пісіретін пеш температураның кең ауқымында жұмыс істеуге арналған, алайда үй-жайдағы тым жоғары немесе төмен температура қамырдың көтерілу процесіне және, демек, нанның мөлшері мен тығыздығына әсер етеді. Үй-жайдағы тиімді температура +15-тен +34°С-ге дейін болуы керек.

НАН ПІСІРЕТІН ПЕШТІ БІРІНШІ РЕТ ҚОСУ

- Бөтен иістерді жою үшін нан пісіретін пешті бірінші рет қосқанда ингредиенттерді салмай, және

қақпағы (7) ашық күйінде жүзеге асыру ұсынылады.

- Қуаттандыру бауының ашасын электр розеткасына салыңыз, бұл ретте дыбыс белгісі дыбысталады және дисплейде (14) цифрлық таңбалар (24) «3:00» көрінеді, бөлу нүктелері (22) тұрақты жарқырайды.
- Қыртыс түсінің индикациясы (12) «ОРТАША».
- Салмақ индикациясы (13) «1000г».
- Баптау деректері әдепкі бойынша орнатылған.
- Әдепкі бойынша орнатылған, пісіру бағдарламасын қосу үшін батырманы (21) «СТАРТ/ТОҚТА» басыңыз, осы ретте дисплейде (14) бөлу нүктелері (22) жыпылықтайды.
- Пісіру бағдарламасын қосу үшін 10 минуттан кейін батырманы (21) «СТАРТ/ТОҚТА» қайта басыңыз, нан пісіретін пешті сөндіру үшін батырманы (21) «СТАРТ/ТОҚТА» тағы бір рет басыңыз және ұстап тұрыңыз, электр розеткасынан қуаттандыру бауының ашасын шығарыңыз, қақпақты (7) ашыңыз және нан пісіретін пештің толық сууын күтіңіз.
- **Ескертпе:** — нан пісіретін пешті алғашқы пайдаланған кезде қыздыру элементінен бөгде иіс және аздаған түтін шығуы мүмкін — бұл қалыпты жағдай және кепілдік оқиғасы болып табылмайды.
- Көтеріңкіреңіз және пісіруге арналған қалып (3) тұтқасынан (4) ұстаңыз, тұтқаны (4) сағат тіліне қарсы бұрыңыз және қалыпты (3) шығарыңыз.

- Қалыпты (3), қалақты (9) бейтарап жуу құралын пайдаланып жылы сумен жуыңыз, шайыңыз және кептіріңіз.
- Пісіруге арналған қалыпты (3) орнына орнатыңыз және оны сағат тілі бойынша тірелгенге дейін бұрыңыз, қамыр илеуге арналған қалақты (9) пісіруге арналған қалыптағы оське (3) орнатыңыз.
- Қақпақты (7) жабыңыз.
- Нан пісіретін пеш пайдалануға дайын.

БАСҚАРУ ПАНЕЛІ

Нан пісіретін пешті пайдаланар алдында басқару панеліндегі батырмалармен (2), пісіру бағдарламаларымен және пісіруге арналған ингредиенттерді таңдау жөніндегі ұсыныстармен танысуыңызды өтінеміз.

- Басқару панеліндегі батырмаларды (2) басу арқылы, сіз қажетті нан пісірмесін, кекстер немесе қамыр илеу бағдарламасын таңдай аласыз, пісірме салмағын анықтауды, дайындау уақытын кейінге қалдыруды, қыртыс түсін таңдауды орната аласыз, пісіру бағдарламасының жұмыс циклы дары индикациямен (10, 11, 15, 16) көрсетіледі, дисплейде (14) цифрлық таңбалармен (23) пісіру бағдарламасы көрсетіледі, пісіру бағдарламасының жұмыс уақыты цифрлық таңбалармен (24) көрсетіледі.

- Белсенді батырманың әрбір басуы дыбыстық белгімен сүйемелденеді.
- Пісіру бағдарламасы жұмысы кезінде, басқару панеліндегі (2) барлық батырмалар бұғатталады, батырмадан (21) «СТАРТ/ТОҚТА» басқалары.

«МӨЗІР» (17) БАТЫРМАСЫ

- Батырмаға (17) «МӨЗІР» басу арқылы 12 бағдарламаның бірін таңдай аласыз, бағдарлама нөмірі дисплейде (14) цифрлық таңбалармен (23) көрсетіледі.
- Дайын пісірме дәмін жақсарту үшін, сіз қамырды екінші илеу кезінде қажетті ингредиенттерді (жаңғақтар, кептірілген жемістер және т.б.) қоса аласыз, осы ретте қажетті сәтте дыбыс белгілері естіледі, қақпақты (7) ашыңыз, қажетті ингредиенттерді қосыңыз, қақпақты (7) жабыңыз (кестені қараңыз).

-1- «НЕГІЗГІ»

- Нан дайындаудың барлық сатылары қосылған: қамыр илеу, қамырдың иін қандыру (көтерілуі) және пісіру.

-2- «ФРАНЦИЯЛЫҚ»

- Нанды дайындау біршама ұзақ уақыт алады, нан қыртысы күтірлек және жұмсағы ірі кеуекті болып шығады.

-3- «БҮТІН ДӘНДІ»

- Ұсақ немесе ірі тартылған ұннан жасалған пайдалы нан пісіріңіз. Бұл пісірме бағдарламасы ірі тартылған ұн сұйықтықты жақсы сіңіріп, жақсы көтерілуі үшін ұзақ уақыт алдын-ала қыздыруды көздейді. Осындай нанды дайындау кезінде кейінге қалдыру қызметін пайдалану ұсынылмайды, өйткені мұның салдары қолайсыз болуы мүмкін.

-4- «ЖЫЛДАМ»

- Нанды пісіру «НЕПІЗГІ» бағдарламасына қарағанда жылдамырақ жүзеге асады, бірақ нан, әдетте, көлемі жағынан кішірек және текстурасы тығыздау болып шығады.

-5- «ТӘТТІ»

- Тәтті қамырға қопсытқыш немесе соданы қосыңыз және хош иісті пісірме жасаңыз.

-6- «СУПЕРЖЫЛДАМ 1»

- Салмағы 700 грамм нан пісіруге арналған бағдарлама. Ең қысқа мерзімде нан пісіру, әдетте, «ЖЫЛДАМ» бағдарламасымен салыстырғанда, көлемі жағынан кішірек және текстурасы тығыздау болады.

-7- «СУПЕРЖЫЛДАМ 2»

- Салмағы 1000 грамм нан пісіруге арналған бағдарлама. Ең қысқа мерзімде нан пісіру, әдетте, «ЖЫЛДАМ» бағдарламасымен салыстырғанда,

көлемі жағынан кішірек және текстурасы тығыздау болады.

НАЗАР АУДАРЫҢЫЗ!

6 немесе 7 бағдарламаларын таңдап, пісіруге арналған қалыпқа (3) температурасы 48-50°C су құйыңыз (су температурасының дәлдігін ас үй термометрімен өлшеңіз). Судың температурасы нанды жылдам және өте жылдам әзірлеу кезінде шешуші рөл атқарады: судың тым төмен температурасы қамырдың уақытында көтерілуіне мүмкіндік бермейді, ал тым жоғарысы ашытқының өліміне әкеледі.

-8- «ҚАМЫР»

- Нан пісіретін пеш қамырды илейді және оның көтерілуіне мүмкіндік береді. Қамырды келесі үй пісірмесін жасауға пайдаланыңыз (пирожки, пицца және т.с.с.).

-9- «3 ГЛЮТЕНСІЗ»

- Құрамында глютені жоқ ұннан нан пісіріңіз. Бұл пісірме бағдарламасы ұн сұйықтықты жақсы сіңіріп, жақсы көтерілуі үшін ұзақ уақыт алдын-ала қыздыруды көздейді. Осындай нанды дайындау кезінде кейінге қалдыру қызметін пайдалану ұсынылмайды, өйткені мұның салдары қолайсыз болуы мүмкін.

-10- «КЕКС»

- Тәтті пісірме жасауға арналған бағдарлама.

-11- «СЭНДВИЧ»

- Қыртысы жұқа текстурасы жеңіл нан пісіруге арналған бағдарлама.

-12- «ПІСІРМЕ»

- Нан пісіретін пеш дәстүрлі электр тұшпапеш сияқты жұмыс істейді. Бағдарлама қамырды илеу және көтерілту режимдерін қоспайды. Бағдарлама дайын қамырды пісіруге немесе пісірілген нанды қосымша қызартып пісіруге пайдаланылады.

Бағдарламалардың жұмыс уақыты кестесі

Бағдарлама №	Бағдарламаның атауы	Ссалмағы	Бағдарламаның жұмыс уақыты	Көйінге қалдырылған старт уақыты	Ингредиенттерді қосу
1	НЕГІЗГІ	700g	2:53	13:00	+
		1000g	3:00	13:00	+
2	ФРАНЦИЯЛЫҚ	700g	3:40	13:00	+
		1000g	3:50	13:00	+
3	БҮТІН ДӘНДІ	700g	3:32	13:00	+
		1000g	3:40	13:00	+
4	ЖЫЛДАМ	-	1:40	13:00	-
5	ТӘТТІ	700g	2:50	13:00	+
		1000g	2:55	13:00	+
6	ЭКСПРЕСС	700g	0:58	13:00	-

7	ДИЕТАЛЫҚ	1000g	0:58	13:00	-
8	ҚАМЫР	-	1:30	13:00	-
9	3 ГЛЮТЕНСІЗ	700g	3:15	13:00	+
		1000g	3:20	13:00	+
10	КЕКС	-	2:50	13:00	-
11	СЭНДВИЧ	700g	2:55	13:00	+
		1000g	3:00	13:00	+
12	ПІСІРМЕ	-	1:00	-	-

«САЛМАҚТЫ ТАҢДАУ» (18) БАТЫРМАСЫ

- Салынған ингредиенттердің мөлшеріне байланысты, батырма (18) арқылы, сіз пісірме салмағын таңдай аласыз — 700 гр. немесе 1000 гр. Пісірме салмағы индикациямен (13) «700г — 1000г» көрсетіледі

«ҚЫРТЫС ТҮСІ» (20) БАТЫРМАСЫ

- Батырманы (20) басу арқылы, сіз қыртыстың қажетті түсін таңдай аласыз, қыртыстың таңдалған түсі таңбаларымен (12) «АҚШЫЛ-ОРТАША-КҮҢ-ПРТ» бейнеленеді.

«СТАРТ/ТОҚТА» (21) БАТЫРМАСЫ

- Батырмаға (21) «СТАРТ/ТОҚТА» басып, пісірменің таңдалған бағдарламасы қосылады, осы ретте дисплейде (14) бөлу нүктелері (22) жыпылықтап тұрады.
- Пісірме бағдарламасы қосылғаннан кейін, басқару панеліндегі (21) «СТАРТ/ТОҚТА» батырмасынан басқа, барлық батырмалар (2) белсенді болмай тұрады.
- Батырмаға (21) «СТАРТ/ТОҚТА» қайта басу арқылы, «кідіріс» режимі қосылады, осы ретте дисплейде (14) цифрлық таңбалар арқылы

жұмыстың қалған уақытының цифрлық таңбалары (24) жыпылықтап тұрады. Пісірме бағдарламасын жалғастыру үшін тағы бір рет батырмаға (21) «СТАРТ/ТОҚТА» басыңыз.

- Пісірме бағдарламасын өшіру үшін батырмаға (21) «СТАРТ/ТОҚТА» басып, ұстап тұрыңыз, бұл ретте дыбыс белгісі естіледі және орнатылған бағдарлама өшіріледі.

«УАҚЫТТЫ РЕТТЕУ» (19) БАТЫРМАСЫ

- Нан пісіретін пеш бірден жұмыс істей бастама-сын десеңіз, пісірме бағдарламасының жұмысын бастау уақытын кейінге қалдыруды орнату үшін (19) «УАҚЫТТЫ РЕТТЕУ» батырмасын пайдалана аласыз.
- Кейінге қалдыру уақыты пісірме бағдарламасының жұмыс уақытын қамтуы тиіс (кестені қараңыз) екеніне назар аударыңыз, яғни кейінге қалдыру уақыты аяқталғаннан кейін, пісірме бағдарламасы қосылады.
- Батырма (17) «МӨЗІР» арқылы дисплейде (14) цифрлық таңбалармен (23) көрініп тұратын, қажетті бағдарламаны таңдаңыз.
- Батырма (18) «САЛМАҚТЫ ТАҢДАУ» арқылы, салмақты орнатыңыз «700г немесе 1000 г» (13).
- Батырма (20) арқылы қыртыс түсін таңдаңыз «АҚШЫЛ-ОРТАША-КҮҢГРТ» (12).
- Батырмалармен (19) «УАҚЫТТЫ РЕТТЕУ» кейінге қалдыру уақытын орнатыңыз (кейінге қалдыру

уақытын орнату кезінде пісірме бағдарламасының жұмыс уақытын ескеріңіз), орнату қадамы 10 минут.

- Максималды кейінге қалдыру уақыты 13 сағатты құрайды.
- Кейінге қалдыру уақыты дисплейде (14) цифрлық мәндермен (24) көрсетіледі.

Мысал:

Қазір уақыт 20:30, егер сіз нан келесі таңертеңгі сағат 7-де дайын болсын десеңіз, яғни 10 сағат 30 минуттан кейін.

- Пісірме бағдарламасын таңдаңыз, пісірме салмағын, қыртыс түсін батырмаға (19) «УАҚЫТТЫ ТАҢДАУ» басу арқылы таңдаңыз, дисплейде (14) уақытты 10:30 орнатыңыз.
- Кейінге қалдыру функциясын қосу үшін, батырмаға (21) «СТАРТ/ТОҚТА» басыңыз, осы ретте дисплейде (14) бөлу нүктелері (22) жыпылықтайды.
- Кейінге қалдыру функциясын болдырмау үшін (21) «СТАРТ/СТОП» батырмасын басып, ұстап тұрыңыз, бұл ретте дыбыс белгісі естіледі және кейінге қалдыру бағдарламасы өшіріледі.
- Кейінге қалдыру уақыты өткеннен кейін, орнатылған пісірме бағдарламасы қосылады.
- Егер сіз дайын нанды бірден ала алмасаңыз, онда қыздыру функциясы қосылады, қыздыру функциясының жұмыс істеу уақыты 60 минут.

- Уақытты кейінге қалдыра отырып пісіру үшін жұмыртқа, жаңа сауылған сүт, жеміс, пияз және т. б. сияқты тез бұзылатын ингредиенттерді пайдаланбаңыз.
- **Ескертпе:** — кейінге қалдыру мүмкіндігі жоқ бағдарламалар: — 4 «ЖЫЛДАМ», 6 — 7 «СУ-ПЕРЖЫЛДАМ 1 және 2», 12 «ПІСІРМЕ».

ҚЫЗДЫРУ ФУНКЦИЯСЫ

- Пісірме бағдарламасының жұмыс уақыты аяқталғаннан кейін, қыздыру функциясы қосылады, қыздыру функциясының жұмыс уақыты 60 минут.
- Егер сіз нанды шығарып алғыңыз келсе, батырманы (21) «СТАРТ/ТОҚТА» басу арқылы қыздыру функциясын өшіріңіз.

ЖАДЫ ФУНКЦИЯСЫ

- Нан пісіретін пеш жұмыс істеп тұрған кезде электр энергиясының апаттық өшірілуі болса, ұзақтығы 10 минут жады функциясы белсендіріледі.
- Электр қуаты 10 минут ішінде қалпына келтірілген кезде, нан пісіретін пеш орнатылған бағдарламаның жұмысын бағдарлама тоқтатылған сәтінен бастап жалғастырады.
- 10 минуттан артық электр қуаты болмаған жағдайда ингредиенттерді қайта жүктеу қажет, бағдарламаны орнатып, нан пісіретін пешті қосу қажет.

НАН ПІСІРЕТІН ПЕШТІҢ ЖҰМЫС ЦИКЛДАРЫ

Нан пісіретін пештің келесі жұмыс циклдары бар:

- Біртекті масса болғанға дейін қамырды илеу. Қамырды илеу циклы (11) «ИЛЕУ» индикациясымен көрсетіледі.
- Қамырдың көтерілу циклы (10) «КӨТЕРІЛУ» индикациясымен көрсетіледі.
- Пісірме циклы (15) «ПІСІРУ» индикациясымен көрсетіледі.
- Қыздыру функциясы (16) «ҚЫЗДЫРУ» индикациясымен көрсетіледі. Пісірме бағдарламасы аяқталғаннан кейін қыздыру функциясы қосылады және 60 минут бойы жұмыс істейтін болады, егер нанды алу қажет болса, (21) «СТАРТ/ТОҚТА» батырмасын басу және ұстап тұру арқылы қыздыру функциясын өшіріңіз.

ПІСІРМЕГЕ АРНАЛҒАН ИНГРЕДИЕНТТЕР БОЙЫНША МАҢЫЗДЫ ҰСЫНЫСТАР

Ұн

- Ұн нан дайындаудың маңызды компоненті болып табылады.
- Ұнның қасиеті оның сұрыпталуымен ғана емес, сонымен қатар астықтың өсірілген жағдайымен, оны өңдеу мен қалай сақталғандығымен анықталады. Нанды әртүрлі өндірушілер мен маркаларынан

пісіруге көріңіз және сіздің талаптарыңызға жауап беретінін табыңыз.

- Бидай және қара бидай ұны нан пісіруге арналған ұнының негізгі түрлері болып табылады.
- Бидай ұны анағұрлым кең қолданыста болады, бұл жағымды дәмдік қасиеттерге және бидай ұнынан жасалған өнімдердің жоғары тағамдық құндылығына байланысты.

Нан пісіруге арналған ұн

- Дәннің ішкі бөлігінен ғана тұратын нан пісіруге арналған (тазартылған) ұн, нанның басылып қалуын болдырмайтын және жұмсағының иілгіштігін қамтамасыз ететін көп мөлшердегі желімшеден тұрады.
- нан пісіруге арналған ұннан жасалған пісірмелер аса үлпілдек болады.

Бүтін дәнді ұн (ірі тартылған ұн)

- Бүтін дәнді (ірі тартылған ұн) ұн бидайдың бүтін дөңдерін көбегімен бірге тарту жолымен алады. Ұнның бұл сұрпы жоғары құнарлық құндылығымен ерекшеленеді.
- Бүтін дәнді нан әдетте көлемі шағын болып шығады. Нанның тұтынушылық қасиеттерін жақсарту үшін бүтін дәнді ұнды нан пісіруге арналған ұнмен араластырады.

Жүгері және сұлы ұны

- Нанның текстурасын жақсарту үшін және оған

қосымша дәмдік қасиеттер беру үшін бидай немесе қара бидай ұнын жүгері немесе сұлы ұнымен араластырыңыз.

Қант

- Қант нанға сарғыш реңк береді де пісірмелерге қосымша дәмдік қасиеттермен байытады.
- Қант ашытқының өсуі үшін қоректендіргіш орта болып саналады. Пісірмеге тек қана тазартылған емес, сонымен қатар қоңыр қант пен қант ұнтағын да қосыңыз.

Ашытқы

- Ашытқының өсуі нан жұмсағында кеуек түзілуіне ықпал ететін, көмірқышқыл газы бөлініп шығуымен бірге жүреді.
- Ұн және қант ашытқының өсуі үшін қоректендіргіш орта болып табылады. Сығылған жас немесе жылдам әрекет ететін құрғақ ашытқыны қосыңыз. Сығылған жас ашытқыны жылы суда ерітіңіз (суда, сүтте және т.с.с.), жылдам әрекет ететін ашытқыны ұнға қосыңыз (алдын ала белсендіруді, яғни су қосуды қажет етпейді).
- Қаптамадағы нұсқаулықтарды орындаңыз немесе мына төмендегі пропорцияларды сақтаңыз:
- 1 шай қасық тез көтерілетін құрғақ ашытқы = 1,5 шай қасық сығымдалған жас ашытқы.
- Жас ашытқыны тоңазытқышта сақтаңыз. Жоғары температура ашытқыны өлтіріп тастайды, мұндай жағдайда қамыр нашар көтеріледі.

Тұз

- Тұз нанға қосымша түс пен дәм береді, бірақ ол ашытқының өсуін баяулатады.
- Тұзды Тым көп мөлшерде пайдаланбаңыз. Үнемі ұсақ тұзды пайдаланыңыз (ірі тұз пісірмеге арналған қалыптың күюге қарсы қабатын бүлдіруі мүмкін).

Жұмыртқалар

- Жұмыртқа нанның құрылымы мен көлемін жақсартады, дәмін байытады.
- Жұмыртқаны қамырға қосар алдында оларды мұқият шайқау ұсынылады.

Малдың майы мен өсімдік майлары

- Малдың майы мен өсімдік майлары пісірмені жұмсақ етеді және оны сақтаудың мерзімін ұзартады.
- Сары май қоспас бұрын, оны кішкене текшелерге кесіңіз және бөлме температурасына дейін қыздырыңыз.

Наубайхана ұнтағы мен сода

- Сода мен наубайхана ұнтағы (қопсытқыш) қамырдың көтерілуіне қажет уақытты қысқартады.
- «СУПЕРЖЫЛДАМ 1 және 2» бағдарламасын пайдаланғанда, қопсытқыш немесе сода пайдаланыңыз.
- Соданы алдын-ала лимон қышқылымен және ұнның шағын мөлшерімен араластыру қажет

(5 г ас содысы, 3 г лимон қышқылы және 12 г ұн). Ұнтақтың осындай мөлшері (20 г) 500 г ұнға есептелген.

- Соданы сөндіру үшін сірке суын пайдаланбаңыз, сірке суын пайдалану нан жұмсағы ылғалдылығын арттырады және біртектілігін азайтады.
- Наубайхана ұнтағын (қопсытқышты) рецепт бойынша көрсетілгендей қалыпқа жай ғана себіңіз.

Су

- Нан пісіру кезінде судың температурасы маңызды роль ойнайды.
- Судың оңтайлы температурасы 20-дан 25°C-ге дейін, «СУПЕРЖЫЛДАМ 1, 2» бағдарламасы үшін 45-тен 50°C-ге дейін.
- Судың орнына сүтті қолдануға болады немесе біраз мөлшерде табиғи шырын қосып нанның дәмін байытуға болады.

Сүт өнімдері

- Сүт өнімдері нанның дәмі мен қоректендіргіш құндылығын жақсартады. Нанның жұмсағы көркемдірек болып тәбетті ашатын болады.
- Жаңа сауылған сүт өнімдерін немесе құрғақ сүтті пайдаланыңыз.

Ингредиенттер салмағы

- Нан дайындаудың маңызды шарттарының бірі, ингредиенттердің мөлшерін нақты пайдалану болып табылады.

- Ингредиенттердің нақты санын өлшеу үшін асүйлік таразыны, өлшеуіш стақанды (25) және өлшеуіш қасықты (27) міндетті түрде пайдалану ұсынылады, олай болмаған жағдайда, дайын нан сіздің қажеттілігіңізді қанағаттандырмауы мүмкін.
- Өлшеуіш стақанды (25) сұйықтықпен тиісті белгіге дейін толтырыңыз. Тегіс бетке стақанды (25) қойып, мөлшерлемесін тексеріңіз.
- Алдыңғы ингредиенттің қалдықтарынан өлшеуіш стақанды (25) мұқият тазалаңыз.
- Құрғақ ингредиенттерді өлшегіш стақанға (25) себу барысында, тығыздамаңыз.
- Пайдалану алдында ұнды ауамен қанықтыру үшін електен өткізу маңызды, бұл пісірменің ең жақсы нәтижесіне кепілдік береді.

ПІСІРМЕГЕ АРНАЛҒАН ҚАЛЫПҚА ИНГРЕДИЕНТТЕРДІ САЛУ ТӘРТІБІ (СУР. 1)

- Ингредиенттерді пісірмеге арналған қалыпқа (3) салу ретін сақтау қажет.
- Келесі бірізділік ұсынылады:
 - ұн; ұн сұйық ингредиенттермен толық суланбауы керек;
 - ашытқыны құрғақ ұнға ғана салуға болады, ашытқы тұзбен жанаспауы керек;
 - сұйық ингредиенттер, жұмыртқалар, тұз, өсімдік немесе сары май, құрғақ сүт және т. б.;
 - ұнға кішкене шұңқырша жасаңыз және ашытқыны шұңқыршаға салыңыз.

ИНГРЕДИЕНТТЕРДІ ҚОСУ

- Қамырды екінші илеу кезінде қажетті ингредиенттерді (жаңғақтар, кептірілген жемістер және т.б.) қосуға болады, бұл ретте қажетті сәтте дыбыс белгілері естіледі, қақпақты (7) ашыңыз, қажетті ингредиенттерді қосыңыз, қақпақты (7) жабыңыз.
- Сіз ұзақ уақыт бойы кейінге қалдыру функциясын пайдалансаңыз, жұмыртқа, жеміс ингредиенттері сияқты тез бұзылатын ингредиенттерді ешқашан қоспаңыз.

НАН ПІСІРУ

- Нан пісіретін пешті желіге алғашқы қосу алдында, құрылғының жұмыс кернеуі электр желісіндегі кернеуге сәйкес келетініне көз жеткізіңіз.
- Қақапақты (7) ашыңыз және пісірмеге арналған қалыпты (3) шығарыңыз.
- Қалақ (9) орнына орнатылғанына көз жеткізіңіз.
- **Ескертпе:** — қалақты (9) орнатар алдында оны сары маймен, маргаринмен немесе өсімдік майымен майлаған жөн, бұл оны жаңа піскен наннан алып шығуды жеңілдетеді.
- Ингредиенттерді қалыпқа (3) рецептте сипатталған ретпен салыңыз. Негізінен ингредиенттер мына келесі тәртіппен салынады (сур. 1):
 1. Сұйық ингредиенттер.
 2. Ұн, сусымалы ингредиенттер (қант, тұз).
 3. Ашытқы және қопсытқыш. Ұнға кішкене шұңқы-

- рша жасаңыз және ашытқы немесе қопсытқышты шұңқыршаға салыңыз.
- Шашылған өнімдерді немесе төгілген сұйықтықтарды қалыптың (3) сыртқы бетінен алып тастаңыз.
 - Қалыпты (3) орнына орнатыңыз және оны сағат тілі бағытымен тірелгенге дейін бұраңыз.
 - Қақпақты (7) жабыңыз.
 - Қуаттандыру бауының ашасын электр розеткасына салыңыз, бұл ретте дыбыс белгісі дыбысталады және дисплейде (14) цифрлық таңбалар (24) «3:00» көрінеді, бөлу нүктелері (22) тұрақты жарқырайды.
 - Қыртыс түсінің индикациясы (12) «ОРТАША».
 - Салмақ индикациясы (13) «1000г».
 - Баптау деректері әдепкі бойынша орнатылған.
 - Батырмаға (17) «МӨЗІР» басу арқылы 12 бағдарламаның бірін таңдай аласыз, бағдарлама нөмірі дисплейде (14) цифрлық таңбалармен (23) көрсетіледі.
 - Салынған ингредиенттердің мөлшеріне байланысты батырмамен (18), сіз пісірме салмағын таңдай аласыз — 700 гр. немесе 1000 гр. Пісіру салмағы индикациямен (13) «700г — 1000г» көрсетіледі.
 - Батырманы (20) басу арқылы, сіз қыртыстың қажетті түсін таңдай аласыз, қыртыстың таңдалған түсі таңбаларымен (12) «АҚШЫЛ-ОРТАША-КҮҢ-ГІРТ» бейнеленеді.
 - Батырманы (19) «УАҚЫТТЫ РЕТТЕУ» басу арқылы дайындауды кейінге қалдыру уақытын орнатыңыз («БАСҚАРУ ПАНЕЛІ» бөліміндегі сипаттаманы қараңыз).
 - **Ескертпе:** — орнатылған пісірме бағдарламасын дереу бастағыңыз келсе, кейінге қалдыру уақытын орнатуды өткізіп жіберіңіз.
 - Пісірме бағдарламасын қосу үшін батырманы (21) «СТАРТ/ТОҚТА» басыңыз, бұл ретте дисплейде (14) бөлу нүктелері (22) жыпылықтайды, цифрлық таңбалармен (24) пісірме бағдарламасының жұмысы аяқталғанға дейін қалған уақыт көрсетіледі.
 - Нан пісіретін пеш жұмысы циклдары индикациямен (10, 11, 15, 16) көрсетіледі.
 - **Кеңес:** — қамырды 5 минуттық илеуден кейін оның консистенциясын тексеру ұсынылады. Қамыр жұмсақ, жабысқақ кесек болуы керек, егер қамыр кесектері өте құрғақ болса, оған аздап сұйықтық қосыңыз, егер қамыр кесектері тым ылғалды болса, оған аздап ұн қосыңыз (1/2-ден 1 шай қасыққа дейін немесе қажеттілігіне қарай).
 - Нан пісіру процесін қақпақтағы (7) қарау терезесі (8) арқылы бақылауға болады.

НАЗАР АУДАРЫҢЫЗ!

Пісірме бағдарламасының жұмысы кезінде ешқашан қақпақты (7) ашпаңыз, температураның күрт өзгеруі кезінде қамыр басылып қалуы мүмкін және кейін көтерілмейді.

- Пісірме бағдарламасы аяқталғаннан кейін дыбыс белгілері естіледі және қыздыру функциясы қосылады, қыздыру функциясы жұмысының уақыты 60 минут.
- Нан пісіретін пешті сөндіру үшін және қыздыру функциясын болдырмау үшін батырманы (21) «СТАРТ/ТОҚТА» басыңыз және 3 секунд бойы басып тұрыңыз.
- Қуаттандыру бауының ашасын электр розеткасынан ажыратыңыз.
- Қақпақты (7) ашыңыз, ыстыққа төзімді ас үй ұстағыштарын пайдаланып, тұтқаларынан (4) ұстаңыз және көтеріңкіреңіз, пісірмеге арналған қалыпты (3) сағат тіліне қарсы бағытқа бұрыңыз және оны нан пісіретін пештен шығарып алыңыз.
- Қалыпты шамамен 10-15 минуттай суытыңыз.
- Пісірмені қалыптың (3) қабырғаларынан асуілік пластик қалақты пайдаланып ажыратып алыңыз.
- Қалыптың (3) күюге қарсы қабатын бүлдірмес үшін, металл заттарды пайдалануға тыйым салынады.
- Пісірмені шығарып алу үшін қалыпты (3) аударыңыз және оны сілкіңіз.
- Нанды кесер алдында қалақты (9) ілмектің (26) көмегімен шығарыңыз.
- Нанды өткір нан пышағымен кесіңіз.
- Қолданғаннан кейін қалыпты (3) және қалақты (9) бейтарап жуу құралын пайдаланып, жылы сумен

жуыңыз, шайыңыз және кептіріңіз. Қалақты (9) қалыпқа (3) орнатыңыз, қалыпты (3) нан пісіретін пешке орнатыңыз, қақпақты (7) жабыңыз.

ТАЗАЛАУЫ МЕН КҮТІМІ

- Нан пісіретін пешті өшіріңіз, электр розеткасынан қуаттандыру бауының ашасын ажыратыңыз, қақпақты (7) ашыңыз және нан пісіретін пешті суытыңыз.
- Корпус (1) пен қақпақты (7) сәл дымқыл матамен сүртіңіз, содан соң құрғатып сүртіңіз.
- Пісірмеге арналған қалыпты (3), қалақты (9), өлшеуіш стақанды (25), ілгекті (26) және қасықты (27) бейтарап жуу құралы бар жылы сумен жуыңыз, шайыңыз және кептіріңіз.
- **Ескертпе:** — егер қалақ (9) осьтен алынбаса, қалыптарды (3) жылы сумен толтырыңыз және шамасы 20-30 минуттай күтіңіз.
- Нан пісіретін пешті және пісірмеге арналған қалыптарды (3) тазалау үшін металл заттарды немесе жөкелерді, абразивті тазалағыш құралдарды және еріткіштерді пайдаланбаңыз.
- Пісірмеге арналған қалыпты (3) және қалақты (9) нан пісіретін пешке орнатпас бұрын, мұқият кептіріп алыңыз.
- Нан пісіретін пештің ішкі бетінде ластанулар болған жағдайда, ластануды жойыңыз және бетін сәл дымқыл матамен сүртіңіз, содан кейін құрғатып сүртіңіз.

- Нан пісіретін пештің корпусын, қуаттандыру бауын және қуаттандыру бауының ашасын суға немесе кез-келген басқа сұйықтықтарға салмаңыз.

САҚТАЛУЫ

- Нан пісіретін пешті сақтауға алып қоярдан бұрын, оны тазалап алыңыз.
- Құрылғыны салқын және құрғақ жерде, балалардың және мүмкіндігі шектеулі адамдардың қолы жетпейтін жерде сақтаңыз.

ЖЕТКІЗІЛІМ ЖИЫНТЫҒЫ

1. Нан пісіретін пеш — 1 дана.
2. Қуаттандыру бауы — 1 дана.
3. Нұсқаулық — 1 дана.

ТЕХНИКАЛЫҚ СИПАТТАМАЛАРЫ

- Электр қуаттандыруы 220-240 В, ~ 50-60 Гц
- Номиналды тұтыну қуаты: 550 Вт

Сервистік орталыққа жүгінудің алдында.

Ақаулық	Ықтимал себеп	Жою тәсілі
Нан пісіретін пеш қосылмайды. Дисплейде таңбалар «ННН» көрсетіледі.	Нан пісіретін пеш алдыңғы пісіруден кейін әлі суымады.	Нан пісіретін пешті өшіріңіз және қуаттандыру бауының ашасын электр розеткасынан ажыратыңыз. Пісірмеге арналған қалыпты шығарып алыңыз және нан пісіретін пешті бөлме температурасына дейін суытыңыз.
Егер нан пісіретін пешті қосқанда, дисплейде «LLL» таңбалары пайда болса.	Нан пісіретін пештің ішіндегі температура өте төмен.	Нан пісіретін пешті өшіріңіз және қуаттандыру бауының ашасын электр розеткасынан ажыратыңыз. Нан пісіретін пештің қақпағын ашыңыз, пісірмеге арналған қалыпты шығарып алыңыз және құрылғыны 10-20 минут бойы бөлме температурасына дейін жылытыңыз.
Егер нан пісіретін пешті қосқанда, дисплейде таңбалар «Егг» көрсетілсе.	Температура датчигі бұзылған.	Бұл жағдайда авторландырылған сервистік орталыққа жүгініңіз.

Нан пісіру кезіндегі ақаулар мен кемшіліктер кестесі және оларды одан әрі жою жөніндегі ұсыныстар.

Ақаулық/Кемшілік	Ықтимал себеп	Жою тәсілі
Нан пісіру кезінде қақпақтағы тесіктен түтін	Нан пісіретін пешті бірінші пайдаланған кезде қыздыру элементінің беті күйеді. Қыздыру элементіне ингредиенттердің түсуі.	Нан пісіретін пешті бірінші қолданар алдында оны 10-15 минутқа қақпағы ашық күйінде қосыңыз. Нан пісіретін пешті өшіріңіз, оны суығанын күтіңіз, қыздыру элементін тазалаңыз.
Нанның қыртысы қалың.	Дайын нан пісіруге арналған қалыпта қалды және көп ылғал жоғалтты.	Дайын нанды қалыптан, пісіргеннен кейін бірден шығарып алыңыз.
Араластыруға арналған қалақ, пісірмеге арналған қалыптан шығарылмайды.	Қамыр жетек білігі мен қамырды илеуге арналған қалақ арасындағы саңылауға түсті.	Нанды қалыптан шығарғаннан кейін, пісірмеге арналған қалыпқа жылы су құйыңыз. 20-30 минуттан кейін қалақты шығарып алыңыз.
Ингредиенттер біркелкі араласпайды және нашар пісіріледі.	Орнатылған бағдарлама бұл ингредиенттер жиынтығына сәйкес келмейді. Пісірме бағдарламасының жұмысы барысында нан пісіретін пештің қақпағы бірнеше рет ашылды, қамыр басылып қалды және содан кейін көтерілмеді. Сұйық ингредиенттердің мөлшері аз, қамырды илеуге арналған қалақ пісірмеге арналған қамырды илеуге келмейді.	Пісірмеге арналған қалыпқа салынған ингредиенттерге сәйкес келетін пісірме бағдарламасын таңдаңыз. Нан пісіретін пештің қақпағын ашпаңыз. Салынған ингредиенттердің сәйкестігін тексеріңіз. Пісірмеге арналған қалыпты шағарып алыңыз және пісірмеге арналған қалақты қолмен айналдырып көріңіз, егер бұл мүмкін болмаса, авторландырылған сервистік орталыққа жүгініңіз.
Электр моторының дыбысы естіледі, бірақ қамыр араласпайды.	Пісірмеге арналған қалып дұрыс орнатылмаған. Қамырға өте көп ұн қосылған.	Пісірмеге арналған қалыптың дұрыс орнатылғанын және пісірмеге арналған рецептінің дұрыстығын тексеріңіз. Асуілік таразы мен өлшеуіш стақанды пайдаланып, ингредиенттердің мөлшерін үнемі дәл өлшеңіз.

<p>Пісіру кезінде, нан пісірмеге арналған қалыпты толтырады.</p>	<p>Ашытқы, ұн және сұйық ингредиенттер мөлшерінің дұрыс емес қатынасы. Сұйық ингредиенттердің немесе қоршаған ортаның температурасы тым жоғары.</p>	<p>Өрқашанда ингредиенттер арақатынасының дұрыстығын олардың температурасын және үй-жайдағы температура.</p> <p>Нан пісіретін пешті қоршаған ортаның температурасы +15-тен +34°С аралығында пайдаланыңыз.</p>
<p>Нанның мөлшері тым кішкентай немесе нан көтерілмейді.</p>	<p>Ашытқының болмауы немесе олардың жеткіліксіз мөлшері. Ашытқы сапасы нашар, сұйық ингредиенттердің жоғары температурасы.</p> <p>Ашытқы тұзбен байланысқа түсті.</p> <p>Бөлмедегі төмен температура.</p>	<p>Жарамдылық мерзімі өткен ашытқыны пайдаланбаңыз.</p> <p>Өлшеуіш қасық арқылы ашытқының нақты мөлшерін өлшеңіз.</p> <p>Ашытқының тұзбен жанасуына жол бермеңіз.</p> <p>Нан пісіретін пешті қоршаған ортаның температурасы +15-тен +34°С аралығында пайдаланыңыз.</p>
<p>Нан пісіру кезінде қатты жарылып кетеді.</p>	<p>Қолданылатын ұн құрамындағы желімше өте аз.</p> <p>Ашытқы өсуінің жоғары жылдамдығы немесе сұйық ингредиенттердің жоғары температурасы.</p>	<p>Нан ұнының тексерілген маркасын пайдаланыңыз.</p> <p>Тексерілген ашытқы маркасын пайдаланыңыз және сұйық ингредиенттердің температурасын сақтаңыз.</p>
<p>Пісірілген нанның құрылымы өте тығыз.</p>	<p>Ұн және сұйық ингредиенттер мөлшерінің дұрыс емес қатынасы.</p> <p>Тым көп бүтін бидай ұны қолданылды.</p>	<p>Ұн мен сұйық ингредиенттердің дұрыс арақатынасына қол жеткізіңіз.</p> <p>Бүтін дәнді ұн мөлшерін азайтыңыз және ашытқы мөлшерін көбейтіңіз.</p>
<p>Дайын нанның ішіндегі қуыстар өте үлкен.</p>	<p>Сұйық ингредиенттердің, судың мөлшері артық немесе тұз қосылмаған.</p> <p>Сұйық ингредиенттердің жоғары температурасы.</p>	<p>Ингредиенттердің дұрыс қатынасын таңдаңыз.</p> <p>Сұйық ингредиенттердің температурасын өрқашан тексеріп отырыңыз.</p>

<p>Нан қыртысында құрғақ ұн көп.</p>	<p>Желімше жоғары мөлшері жоғары ұн пайдаланылды, және майдың мөлшері жеткіліксіз. Сұйық ингредиенттердің мөлшері аз.</p>	<p>Желімшесі қалыпты мөлшердегі ұнды пайдаланыңыз және май қосыңыз. Рецептке сәйкес сұйық ингредиенттердің нақты мөлшерін қосыңыз.</p>
<p>Нанның немесе кекстің қыртысы өте күңгірт.</p>	<p>Қанттың мөлшері артық болса, нан немесе кекс қыртысы күйіп кетуі мүмкін.</p>	<p>Рецептке сәйкес қанттың нақты мөлшерін қосыңыз. Егер сіз нан немесе кекс күйе бастағанын байқасаңыз, пісірме бағдарламасын оның аяқталғанына дейін 5-10 минут бұрын тоқтату ұсынылады. Дайын өнімді шағару алдында оны нан пісіретін пештің ішінде қақпағы жабық күйінде 15-20 минутқа қалдыру ұсынылады.</p>

КӘДЕГЕ АСЫРУ



Қалдықтардың бақыланбай пайдаға асыруынан қоршаған ортаға немесе адамдардың денсаулығына зиян келтірмеу үшін, құралдың немесе қуаттандыру элементтерінің (егер жинағына кірсе) қызмет ету мерзімі аяқталғаннан кейін оларды әдеттегі тұрмыстық қалдықтармен бірге тастамаңыз, аспапты және қуаттандыру элементтерін одан әрі кәдеге асыру үшін арнайы пункттерге жіберіңіз.

Бұйымдарды кәдеге асыру кезінде пайда болатын қалдықтар белгіленген тәртіп бойынша келесі пайдаға асырылатын тәртіппен міндетті түрде жинауға жатады.

Берілген өнімді кәдеге асыру туралы қосымша ақпаратты алу үшін жергілікті муниципалитетке, тұрмыстық қалдықтарды пайдаға асыру қызметіне немесе осы өнімді сатып алған дүкенге жүгініңіз.

Өндіруші алдын-ала ескертусіз, құралдың дизайнын, конструкциясы мен оның жалпы жұмыс ұстанымдарына әсер етпейтін техникалық сипаттамаларын өзгерту құқығын өзіне қалдырады.

Құралдың қызмет ету мерзімі — 3 жыл

Өндірілген күні сериялық нөмірде көрсетілген.

Қандай да бір ақаулықтар табылған жағдайда дереу авторландырылған сервистік орталыққа жүгіну керек.





Hergestellt für «Ruste GmbH»,
Berggasse 18/18, 1090 Wien,
Österreich

Produced for «Ruste GmbH»,
Berggasse 18/18, 1090 Vienna, Austria

Изготовлено по заказу Русте Гмбх,
Бергассе 18/18, 1090 Вена, Австрия

Уполномоченное изготовителем
лицо: ООО «Грантэл»
143912, МО, г. Балашиха,
ш. Энтузиастов, вл. 1А
т.: +7(495) 297-50-20,
e-mail: info@brayer.su

Made in China/Произведено в Китае



brayer.ru

