

Instruction manual
Инструкция по эксплуатации

Thermopot BR1091WH
Термопот BR1091WH



СОДЕРЖАНИЕ

EN.....	3
DE.....	12
RU.....	22
KZ.....	32

THERMOPOT BR1091WH

Thermopot is intended for boiling water and maintaining its temperature at a set level.

DESCRIPTION

1. Water level scale
2. Water Button
3. Spout for pouring water
4. Control panel
5. Detachable lid
6. Lid opening button
7. Hand pump
8. Lid installation place
9. Hand pump mechanical lock
10. Carrying handle
11. Body
12. Power cord connector

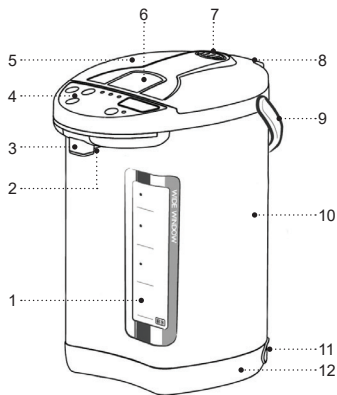
Control panel

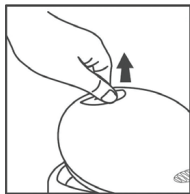
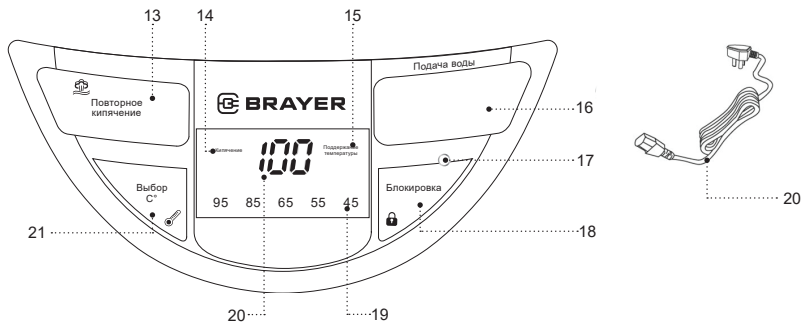
13. Reboil on button «Reboil»
14. «Boiling» light indicator
15. «Keeping warm» light indicator
16. Water dispense on button «Water dispense»
17. Unlocked water dispensing light indicator
18. Water dispensing unlock button «Lock»
19. Hot water temperature maintenance indication «98-85-65-55-45»

20. Water temperature digital symbols
21. Hot water temperature maintenance setting button «Selection of C°»
22. Power cord

ATTENTION!

For additional protection it is reasonable to install a residual current device (RCD) with nominal operation current not exceeding 30 mA into the mains. To install RCD, contact a specialist.

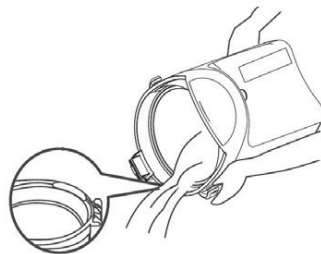




Pic. 1



Pic. 2



Pic. 3

SAFETY MEASURES AND OPERATION RECOMMENDATIONS

Read the operation instructions carefully before using the thermopot and keep it for future reference.

- Use the thermopot for its intended purpose only, as it is stated in this manual.
- Mishandling the thermopot can lead to its breakage and cause harm to the user or damage to his/her property and it is not covered by warranty.
- The thermopot is intended for heating and boiling drinking water only, do not heat or boil any other liquids.
- Make sure that operating voltage of the thermopot indicated on the label corresponds to your home mains voltage.
- The power plug is equipped with a grounding contact, plug it into the socket with
- reliable grounding contact. In case of short circuit the grounding reduces the risk of electric shock.
- Contact an electrical technician, if you are not sure that your sockets are installed properly and grounded.
- To prevent fire do not use adapters designed for connecting the plug to the mains socket without grounding contact.
- In case of sparking in the mains socket and occurrence of smell of burning, unplug the unit and apply to the organization maintaining your home mains.
- If smoke appears from the body of the thermopot, unplug the unit and take measures to prevent fire spreading.
- Do not use the thermopot outdoors.
- It is not recommended to use the unit during lightning storms.
- Protect the unit from impacts, falling, vibrations and other mechanical stress.
- Do not switch the thermopot on if the water tank is empty.
- Do not fill the thermopot with water directly from the faucet; to fill the thermopot use a suitable bowl.
- Do not place the thermopot next to the walls or close to the kitchen furniture.
- Place the thermopot keeping at least 20 cm gap between the thermopot body and the wall and at least 50 cm gap above the thermopot.
- Never leave the plugged-in thermopot unattended.
- Do not use the thermopot in proximity to kitchen sink, in bathrooms, near swimming pools or other containers filled with water.
- Do not use the thermopot near heating appliances, heat sources or open flame.
- Do not use the thermopot in places where aerosols are used or sprayed, and in proximity to inflammable liquids.
- Place the thermopot on a flat stable surface; do not place it on the edge of a table. Do not let the power cord hang from the edge of the table and make sure

it does not touch hot surfaces or sharp edges of furniture.

- Do not touch the power cord and the power plug with wet hands. Do not switch the thermopot on without water, after the thermopot is filled, close the lid tightly.
- Ensure that the water level is not above the maximal mark. If the water level exceeds the maximal mark, boiling water can splash out of the thermopot during boiling.
- To avoid burns by hot steam, do not bend over the steam release openings in the thermopot lid. Do not block the steam release openings with any objects.
- Do not open the thermopot lid while water boiling.
- Be careful while carrying the thermopot filled with boiling water.
- Be very careful when pouring hot water out of the thermopot.
- Unplug the thermopot before cleaning or when you are not using it. When unplugging the thermopot hold only the power cord plug and carefully remove it from the mains socket, do not pull the power cord — this can lead to damage of the power cord or the socket or cause short circuit.
- To avoid electric shock do not immerse the thermopot into water or any other liquids.
- Do not wash the thermopot in a dishwashing machine.
- For children safety reasons do not leave polyethylene bags, used as a packaging, unattended.

ATTENTION!

Do not allow children to play with polyethylene bags or packaging film. **Danger of suffocation!**

- The thermopot is not intended for usage by children.
- Do not leave children unattended to prevent using the unit as a toy.
- Do not allow children to touch the unit and the power cord during the thermopot operation.
- Place the unit out of reach of children during the operation and cooling down.
- This unit is not intended for usage by physically or mentally disabled persons (including children) or by persons lacking experience or knowledge if they are not under supervision of a person who is responsible for their safety or if they are not instructed by this person on the usage of the unit.
- Check the integrity of the power cord, the power plug and the thermopot body periodically.
- If the power cord is damaged, it should be replaced by the manufacturer, a maintenance service or similar qualified personnel to avoid danger.
- If the power cord is damaged, it should be replaced with a power cord received from the manufacture or service.
- Transport the thermopot in the original package.
- Keep the unit out of reach of children and disabled persons.

THERMOPOT IS INTENDED FOR HOUSEHOLD USE ONLY, DO NOT USE THE COFFEE MAKER FOR COMMERCIAL OR LABORATORY PURPOSES.

BEFORE USING THE THERMOPOT

After unit transportation or storage at low temperature keep it for at least 3 hours at room temperature before switching on.

- Unpack the thermopot and remove all the packaging materials.
- Keep the original package.
- Read the safety measures and operating recommendations.
- Check the delivery set.
- Examine the thermopot for damages, in case of damage do not plug it into the mains.
- Make sure that the specifications of power supply voltage specified on the label correspond to the specifications of your mains. When using the thermopot in the mains with 60 Hz frequency, the unit does not need any additional measures.
- Wipe the outer surface of the unit body (10) with a clean, slightly damp cloth to remove dust.
- Open the lid (5) by pressing the button (6) and holding it (pic. 1).
- Wipe the inner surface of the thermopot flask with a clean, slightly damp cloth to remove dust. Close the lid (5).

SWITCHING THE THERMOPOT FOR THE FIRST TIME AND USING THE UNIT

- Place the thermopot on a dry flat surface keeping at least 20 cm gap between the thermopot body and the wall or furniture and at least 50 cm gap above the thermopot.
- Open the lid (5) by pressing the button (6) and holding it (pic. 1).
- Fill the thermopot with water using a suitable bowl, do not exceed the maximal water level mark. Do not fill the thermopot with water directly from the faucet; to fill the thermopot use a suitable bowl.

Notes: to reduce the mineral deposit (scale), we recommend using the water cleaned with domestic filters.

- Close the lid (5) until the lock clicking, make sure that the lid (5) is closed.

Notes: when using the thermopot, always check the sealing gasket. If you find any cracks on the sealing gasket, stop using the thermopot and apply to the service center to replace the gasket.

- Insert the power cord (22) jack into the connector (11) on the thermopot body, and the
- power cord (22) plug into the mains socket.
- The boiling mode indicator «Boiling» (14) will light up on the control panel (4). The digital symbols (20) will show the water temperature in the thermopot.
- After long water boiling, you will hear a sound signal

and the thermopot will be switched to the keep warm mode, the keep warm indicator (19) «85» will light up. The water temperature 85°C is set by default.

Notes: the thermopot uses a long boiling technology which significantly reduces the chlorine level in water.

- To avoid burns by hot steam, do not bend over the steam release openings (7) in the thermopot lid (5). Do not block the steam release openings (7) with any objects.
- Drain the water after the first boiling. Hot water resulting from the first boiling is not recommended to consume, you may use it for domestic needs.

ATTENTION!

Be careful when pouring out water to avoid burns by hot water.

- Unlock the activation of the water pump by pressing and holding the «Lock» button (18) within 5 seconds, the indicator (17) will light up.
- To drain the water you can do the following:

First option: place a suitable bowl, for instance, a cup under the spout for pouring water (3) and press the water (2) dispense button with a rim of the cup (pic. 3).

Second option: place a suitable bowl under the spout for pouring water (3) and press and hold the water dispense button (16) «Water dispense», after the cup is filled release the button (16).

Notes:

- the water is dispensed only when the indicator (17) is switched on; if you pressed the button (18) «Lock» and didn't do anything, in this case the indicator (17) will go out in 10 seconds;

- if you haven't used the thermopot for a long time, the water dispense may malfunction. In this case it is recommended to open and close the lid (5) and to switch the water dispense on again.

- To switch the thermopot off disconnect the power cord (22) plug from the mains socket.
- Open the thermopot lid (5) and wait until it cools down completely.
- Always drain the remaining water from the thermopot flask, to do this remove the lid (5).
- Before removing the lid (5) slightly open it at the angle of approximately 45°, and pull the lid (5) towards the control panel (4) (pic. 2).
- Carefully tilt the thermopot to drain the remaining water (pic. 3).
- Install the lid (5) to its place; to do this, set the lid (5) at the angle of approximately 45° and insert the lid (5) to its installation place; before using the thermopot make sure that the lid (5) is fixed properly.

Additional information

- The thermopot is equipped with rotating base (12). You can turn the thermopot body (10) in the required direction.

- Check the water level in the thermopot using the scale (1).
- Timely refill the thermopot.

HOT WATER MAINTENANCE TEMPERATURE SELECTION

- You can select one of five presets of hot water temperature maintenance.
- To select the hot water maintenance temperature press the button (21) «Selection of C°», you can select the hot water maintenance temperature of «98-85-65-55-45» degrees.
- Recommended water temperature for brewing tea and making other beverages:
 - - «45» - water temperature for making powdered baby milk
 - - «55» - brewing white tea
 - - «65» - red or herbal tea
 - - «85» - green or yellow tea, brewing coffee
 - - «98» - black tea
- The preset keep warm temperature is shown by the corresponding indicators (19).
- If the water temperature goes significantly below the preset temperature (for example, if you added cold water), the boiling mode will switch on and the indicator (14) «Boiling» will light up.
- You can switch the reboiling mode on by pressing the button (13) «Reboiling», the indicator (14) «Boiling» will light up. After water boiling you will hear a sound

signal and the keep warm mode will switch on, the keep warm indicator (19) «85» will light up. The water temperature 85°C is set by default.

- To switch the thermopot off disconnect the power cord (22) plug from the mains socket.

CLEANING AND MAINTENANCE

- Before cleaning the thermopot unplug it (22), open the lid (5) and wait until the thermopot cools down completely.
- Always drain the remaining water from the thermopot flask, to do this remove the lid (5).
- Before removing the lid (5) slightly open it at the angle of approximately 45°, and pull the lid (5) towards the control panel (4) (pic. 2).
- Carefully tilt the thermopot to drain the remaining water (pic. 7).
- Install the lid (5) to its place; to do this, set the lid (5) at the angle of approximately 45° and insert the lid (5) to its installation place; before using the thermopot make sure that the lid (5) is fixed properly.
- Clean the outer surface of the thermopot body (10) with a slightly damp cloth and then wipe it dry.
- Use neutral detergents to remove dirt, do not use metal brushes, abrasives and solvents.
- Do not immerse the thermopot and the power cord (22) into water or other liquids.
- Do not put the thermopot in a dishwashing machine.

Stains on the inner surface of the thermopot flask

- Water contains various minerals that can cause stains on the inner surface of the thermopot flask, the stains do not affect the operation of the thermopot, stains are not covered by the warranty.
- You can remove the stains from the inner surface of the thermopot flask with citric acid solution or table vinegar.
- To remove the flavour of citric acid or vinegar, boil water and pour it out.
- Repeat this procedure until the smell and foreign taste vanish completely.

Removing the mineral deposits (descaling)

- Scale, appearing inside the thermopot flask, influences the water taste and disturbs the heat exchange between water and the heating element. It also risks damaging the heating element. Burning of the heating element caused by the large amount of scale in the thermopot flask is not covered by warranty.
- To remove the scale fill the thermopot with a mixture of one part ordinary vinegar and two parts water up to the maximal level mark (15).
- Insert the power cord (22) jack into the connector (11) on the thermopot body, and the power cord (22) plug into the mains socket.
- The thermopot will be switched on in the boiling mode. After the water boiling disconnect the power

cord (22) plug from the socket and leave the thermopot filled with the vinegar solution overnight.

- In the morning pour out the vinegar solution, fill the thermopot with water up to the maximal level, boil it and pour out the water.
- You can use special descaling agents for electric kettles, strictly following the instruction.
- Clean the thermopot from scale regularly.

STORAGE

- Before taking the thermopot away for long storage, disconnect it from the mains, let the unit cool down and pour out the water.
- Clean the thermopot.
- Keep the thermopot out of reach of children and disabled persons.

DELIVERY SET

1. Thermopot – 1 pc.
2. Power cord - 1 pc.
3. Manual – 1 pc.

TECHNICAL SPECIFICATIONS

- Power supply 220-240 V, ~ 50-60 Hz
- Rated input power: 1450 W
- Max capacity: 5,5 l

RECYCLING



To prevent possible damage to the environment or harm to the health of people by uncontrolled waste disposal, after expiration of the service life of the unit or the batteries (if included), do not discard them with usual household waste,

take the unit and the batteries to specialized stations for further recycling.

The waste generated during the disposal of products is subject to mandatory collection and consequent disposal in the prescribed manner.

For further information about recycling of this product apply to a local municipal administration, a household waste disposal service or to the shop where you purchased this product.

The manufacturer reserves the right to change the design, structure and specifications not affecting general operation principles of the unit, without prior notice.

The unit operating life is 3 years

The manufacturing date is specified in the serial number.

In case of any malfunctions, it is necessary to apply promptly to the authorized service center.

THERMOPOT BR1091WH

Mit dem Thermopot können Sie Wasser kochen und seine Temperatur eingestellt zu halten.

BESCHREIBUNG

1. Wasserstandsskala
2. Wasserknopf
3. Wasserablaufülle
4. Bedienungsplatte
5. Abnehmbarer Deckel
6. Handpumpe
7. Dampfablasslöcher
8. Deckelaufstellplatz
9. Tragegriff
10. Gehäuse
11. Netzkabelanschluss
12. Drehuntersatz

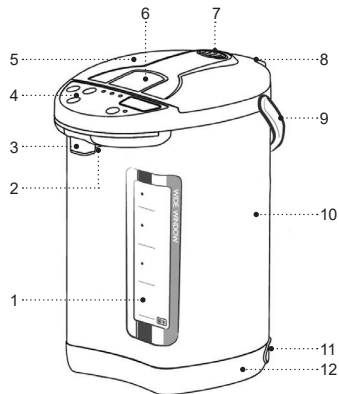
Bedienungsplatte

13. Wiederkochtaste «Wiederkochen»
14. Lichtanzeige «Kochen»
15. Lichtanzeige «Temperaturhaltung»
16. Wasserzufuhrstaste «Wasserzufuhr»
17. Lichtanzeige der Wasserzufuhrentriegelung
18. Wasserzufuhrentriegelungstaste «Verriegelung»
19. Heißwassertemperaturhaltungsanzeige «98-85-65-55-45»

20. Wassertemperaturzahlsymbole
21. 21. Einstelltaste der Heißwassertemperaturhaltung «C°-Wahl»
22. 22. Netzkabel

ACHTUNG!

Als zusätzlicher Schutz ist es zweckmäßig, den FI-Schalter mit Nennstrom maximal bis 30 mA im Stromversorgungskreis aufzustellen; wenden Sie sich dafür an einen Spezialisten.



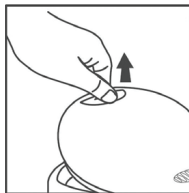
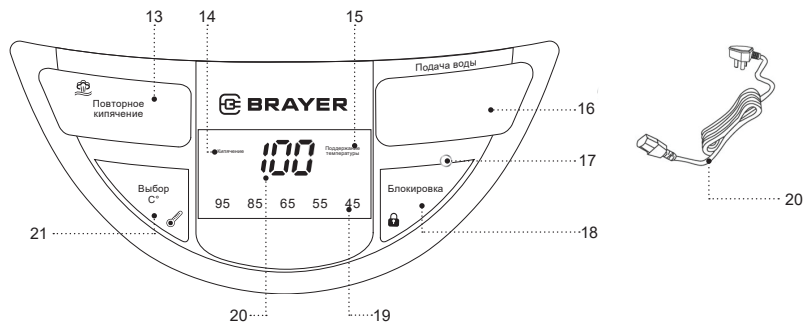


Abb. 1



Abb. 2

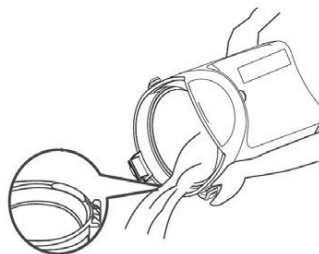


Abb. 3

SICHERHEITSHINWEISE UND GEBRAUCHSANLEITUNG

Bevor Sie den Thermopot benutzen, lesen Sie die Bedienungsanleitung aufmerksam durch und bewahren Sie sie zum späteren Gebrauch auf.

- Verwenden Sie den Thermopot nur bestimmungsgemäß, wie es in dieser Gebrauchsanleitung beschrieben ist.
- Nicht ordnungsgemäße Nutzung des Thermopots kann zu seiner Störung führen, einen gesundheitlichen oder materiellen Schaden beim Nutzer hervorrufen, und ist kein Garantiefall.
- Benutzen Sie den Thermopot nur fürs Wasserkochen, es ist nicht gestattet, andere Flüssigkeiten darin aufzuwärmen oder aufzukochen.
- Vergewissern Sie sich, dass die auf dem Bezeichnungszettel angegebene Betriebsspannung und die Netzspannung übereinstimmen.
- Der Netzstecker hat einen Erdungskontakt; stecken Sie ihn nur in eine Steckdose
- mit dem zuverlässigen Erdungskontakt. Bei einem Kurzschluss verringert die Erdung das Stromschlagrisiko.
- Wenden Sie sich an einen Elektriker, wenn Sie sich nicht sicher sind, ob Ihre Steckdosen richtig installiert und geerdet sind.
- Verwenden Sie keine Adapterstecker, die zum Anschließen des Netzsteckers an eine Steckdose ohne Erdungskontakt bestimmt sind, um das Brandrisiko zu vermeiden.
- Bei Brandgeruch und Funken in der Steckdose ziehen Sie den Netzstecker aus der Steckdose heraus und wenden Sie sich an den Ihr Hausstromnetz leistenden Dienst.
- Wenn Rauch aus dem Thermopot austritt, ziehen Sie das Netzkabel aus der Steckdose heraus und treffen Sie die Feuerverhinderungsmaßnahmen.
- Es ist nicht gestattet, den Thermopot draußen zu benutzen.
- Es ist nicht empfohlen, das Gerät bei Gewitter zu benutzen.
- Schützen Sie das Gerät vor Stößen, Stürzen, Vibrationen und anderen mechanischen Einwirkungen.
- Schalten Sie das Thermopot ohne Wasser nicht ein.
- Es ist nicht gestattet, das Thermopot direkt aus dem Wasserhahn anzufüllen, benutzen Sie dafür ein passendes Geschirr.
- Stellen Sie das Thermopot in keiner Nähe von Wänden oder Küchenmöbeln auf.
- Stellen Sie das Thermopot so auf, dass ein Abstand zwischen ihm und einer Wand oder den Möbeln mindestens 20 cm und der Freiraum darüber nicht weniger als 50 cm beträgt.
- Lassen Sie den ans Stromnetz angeschlossenen Thermopot nie unbeaufsichtigt.

- Benutzen Sie den Thermopot in der Nähe von Spülbecken, in Badezimmern und neben den Wasserbecken oder anderen mit Wasser gefüllten Behältern nicht.
- Benutzen Sie den Thermopot in direkter Nähe von Heizgeräten, Wärmequellen oder offenem Feuer nicht.
- Es ist verboten, den Thermopot an den Orten, wo Sprays verwendet werden, sowie in der Nähe von leichtentzündbaren Flüssigkeiten, zu verwenden.
- Stellen Sie den Thermopot auf eine ebene standfeste Oberfläche auf, stellen Sie ihn an den Tischrand nicht auf. Achten Sie darauf, dass das Netzkabel vom Tisch nicht herabhängt und heiße Oberflächen und scharfe Möbelkanten nicht berührt.
- Berühren Sie das Netzkabel und den Netzstecker mit nassen Händen nicht.
- Schalten Sie den Thermopot ohne Wasser nicht ein, nachdem der Thermopot gefüllt ist, machen Sie den Deckel dicht zu.
- Achten Sie darauf, dass der Wasserstand im Thermopot nicht über der Wasserstandsmarke liegt. Falls der Wasserstand über der maximalen Marke ist, kann sich das kochende Wasser aus dem Thermopot während des Kochens ausgießen.
- Um sich mit heißem Dampf nicht zu verbrühen, beugen Sie sich über keinen Dampfablasslöchern im Thermopotdeckel. Decken Sie die Dampfablasslöcher mit keinen Gegenständen ab.
- Öffnen Sie den Deckel des Thermopots während des Wasserkochens nicht. Die Oberfläche des Thermopots kann eine ziemlich hohe Temperatur haben.
- Seien Sie beim Tragen des mit siedendem Wasser gefüllten Thermopots vorsichtig.
- Seien Sie sehr vorsichtig, wenn Sie Heißwasser aus dem Thermopot abgießen.
- Trennen Sie den Thermopot vor der Reinigung oder wenn Sie ihn nicht benutzen vom Stromnetz ab. Wenn Sie den Thermopot vom Stromnetz abtrennen, halten Sie nur den Netzstecker fest und ziehen Sie ihn aus der Steckdose vorsichtig heraus; ziehen Sie das Netzkabel nicht, da es zu seiner Beschädigung und Steckdosenstörung sowie einem Kurzschluss führen kann.
- Tauchen Sie den Thermopot ins Wasser oder andere Flüssigkeiten nicht, um das Stromschlagrisiko zu vermeiden.
- Es ist nicht gestattet den Thermopot in der Spülmaschine zu waschen.
- Aus Kindersicherheitsgründen lassen Sie Plastiktüten, die als Verpackung verwendet werden, nie ohne Aufsicht.

ACHTUNG! Lassen Sie Kinder mit Plastiktüten oder Verpackungsfolien nicht spielen. **Erstickungsgefahr!**

- Der Thermopot ist nicht für Gebrauch von Kindern geeignet.
- Beaufsichtigen Sie Kinder, damit sie das Gerät als Spielzeug nicht benutzen.
- Lassen Sie Kinder das Gerät und das Netzkabel während des Betriebs vom Thermopot nicht berühren.
- Während des Betriebs und des Abkühlens stellen Sie das Gerät an einen für Kinder unzugänglichen Ort auf.
- Dieses Gerät ist für Personen (darunter Kinder) mit Körper-, Nerven- und Geistesstörungen oder Personen ohne ausreichende Erfahrung und Kenntnisse nicht geeignet, wenn sie sich unter Aufsicht der Person, die für ihre Sicherheit verantwortlich ist, nicht befinden oder entsprechende Anweisungen über die Nutzung des Geräts nicht bekommen haben.
- Überprüfen Sie regelmäßig den Zustand des Netzkabels, des Netzsteckers und des Thermopotgehäuses.
- Wenn das Netzkabel beschädigt ist, muss es durch ein vom Hersteller oder vom Kundendienst bezogenes Netzkabel ersetzt werden.
- Es ist nicht gestattet, das Gerät selbständig zu reparieren. Es ist nicht gestattet, das Gerät selbständig auseinanderzunehmen; bei der Feststellung jeglicher Beschädigungen, sowie im

Sturzfall, trennen Sie das Gerät vom Stromnetz ab und wenden Sie sich an einen Kundendienst.

- Transportieren Sie den Thermopot nur in der Fabrikverpackung.
- Bewahren Sie das Gerät an einem für Kinder und behinderte Personen unzugänglichen Ort auf.

DIE THERMOPOT IST NUR FÜR DEN GEBRAUCH IM HAUSHALT GEEIGNET, ES IST VERBOTEN, SIE ZU INDUSTRIE- ODER LABORZWECKEN ZU BENUTZEN.

THERMOPOTVORBEREITUNG ZUM BETRIEB

Falls das Gerät bei niedrigen Temperaturen transportiert oder aufbewahrt wurde, lassen Sie es bei der Raumlufttemperatur nicht weniger als 3 Stunden bleiben.

- Packen Sie das Thermopot aus und entfernen Sie alle Verpackungsmaterialien.
- Bewahren Sie die Originalverpackung auf.
- Lesen Sie die Sicherheitsmaßnahmen und Bedienungsempfehlungen.
- Prüfen Sie die Komplettheit.
- Prüfen Sie das Thermopot auf Beschädigungen; wenn es beschädigt ist, schließen Sie es ans Stromnetz nicht an.
- Vergewissern Sie sich, dass die Stromversorgungsparameter am Zettel und die

- Netzstromparameter übereinstimmen. Beim 60-Hz-Stromnetz-Thermopotbetrieb sind keine zusätzlichen Maßnahmen erforderlich.
- Wischen Sie die Außenoberfläche des Gehäuses (10) mit einem sauberen, leicht angefeuchteten Tuch zur Entstaubung ab.
 - Machen Sie den Deckel (5) auf, indem Sie die Taste (6) drücken und anfassen (Abb. 1).
 - Wischen Sie die Außenoberfläche des Thermopotbehälters mit einem sauberen, leicht angefeuchteten Tuch zur Entstaubung ab. Machen Sie den Deckel (5) zu.

THERMOPOTINBETRIEBNAHME UND -BETRIEB

- Stellen Sie das Thermopot auf einer trockenen und ebenen Oberfläche so auf, dass ein Abstand zwischen ihm und einer Wand oder den Möbeln mindestens 20 cm und der Freiraum darüber nicht weniger als 50 cm beträgt.
- Machen Sie den Deckel (5) auf, indem Sie die Taste (6) drücken und anfassen (Abb. 1).
- Gießen Sie Wasser ins Thermopot ein, indem Sie ein passendes Geschirr benutzen, übersteigen Sie die Maximalfüllstandsmarke. Es ist nicht gestattet, das Thermopot direkt aus dem Wasserhahn anzufüllen, benutzen Sie dafür ein passendes Geschirr.

Anmerkung: zur Verringerung von Mineralablagerungen (Kalkstein) ist es empfohlen, das mit Haushaltswasserfiltern gereinigtes Wasser zu benutzen.

- Machen Sie den Deckel (5) zu, bis die Verriegelung einrastet, und vergewissern Sie sich, dass der Deckel (5) zugemacht ist.

Anmerkung: wenn Sie das Thermopot verwenden, prüfen Sie die Dichtung, wenn die Dichtung rissig ist, verwenden Sie das Thermopot nicht mehr und wenden Sie sich an einen Kundendienst, um die Dichtung ersetzen zu lassen.

- Stecken Sie den Stöpsel des Netzkabels (22) in den Anschluss (11) am Thermopotgehäuse und den Stecker des Netzkabels (22) in eine Steckdose ein.
- Auf der Bedienungsplatte (4) leuchtet die Wasserkochbetriebsanzeige. Die Zahlensymbole (22) zeigen die Wassertemperatur im Thermopot an.
- Nach einem längeren Wasserkochen schaltet sich das Thermopot in den Temperaturhaltungsbetrieb um. Nach einem längeren Wasserkochen ertönt ein Tonsignal, und das Thermopot schaltet sich in den Temperaturhaltungsbetrieb um, dabei leuchtet die Wassertemperaturhaltungsanzeige (19) «85». Die Wassertemperatur 85°C ist standardeingestellt.

Anmerkung: im Thermopot wird eine Dauerwasserkochtechnologie verwendet, dadurch der Gehalt an gelöstem Chlor im Wasser erheblich reduziert wird.

- Um sich mit heißem Dampf nicht zu verbrühen, beugen Sie sich über keinen Dampfablassöchern (7) im Thermopotdeckel (5). Decken Sie die Dampfablasslöcher (7) mit keinen Gegenständen ab.

- Gießen Sie Wasser nach dem ersten Kochen ab. Das beim ersten Kochen erhaltene Heißwasser ist nicht zum Trinken empfohlen, Sie können es für den häuslichen Bedarf verwenden.

ACHTUNG!

Seien Sie beim Wasserabgießen vorsichtig, um Heißwasserverbrühungen zu vermeiden.

- Entriegeln Sie die Wasserzufuhrpumpe, indem Sie die «Verriegelung»-Taste (18) 5 Sekunden lang gedrückt halten, dabei leuchtet die Anzeige (17).
- Zum Wasserabgießen können Sie folgende Optionen verwenden:

Die erste Option: stellen Sie ein geeignetes Geschirr, z. B. eine Tasse, unter die Wasserablaufülle (3) und drücken Sie die Wasserzufuhr Taste mit dem Tassenrand (2).

Die zweite Option: stellen Sie ein geeignetes Geschirr unter die Wasserablaufülle (2) und halten Sie die Wasserzufuhr Taste «Wasserzufuhr» (16) gedrückt, lassen Sie die Taste (16) nach dem Fassenauffüllen los.

Anmerkungen:

- Wasser wird nur dann zugeführt, wenn die Anzeige (17) eingeschaltet ist; wenn Sie die «Verriegelung»-Taste (18) gedrückt haben, ohne das Gerät zu betreiben, erlischt die Anzeige (17) in diesem Fall nach 10 Sekunden;

- wenn Sie das Thermopot längere Zeit nicht benutzt haben, kann die Wasserzufuhr zeitweise aussetzen. In diesem Fall ist es empfohlen, den Deckel (5) auf- und zuzumachen und die Wasserzufuhr wieder einzuschalten.

- Um das Thermopot vom Stromnetz abzutrennen, ziehen Sie den Stecker des Netzkabels (22) aus der Steckdose heraus.
- Machen Sie den Deckel (5) des Thermopots auf und warten Sie ab, bis es vollständig abkühlt.
- Gießen Sie Restwasser aus dem Thermopotbehälter immer ab, entfernen Sie dazu den Deckel (5).
- Öffnen Sie den Deckel (5) vor dem Entfernen leicht um einen Winkel von ca. 45° und ziehen Sie den Deckel (5) zur Bedienungsplatte (4) (Abb. 2).
- Gießen Sie Restwasser vorsichtig ab, indem Sie das Thermopot umkippen (Abb. 3).
- Setzen Sie den Deckel (5) zurück auf, halten Sie dazu den Deckel (5) in einem Winkel von ca. 45°, und setzen Sie den Deckel (5) auf ihren Aufstellplatz ein; vergewissern Sie sich vor dem Thermopotbetrieb, dass der Deckel (5) sicher verriegelt ist.

Zusatzinformation

- Das Thermopot hat einen Drehuntersatz (12), Sie können das Thermopotgehäuse (10) in die gewünschte Richtung drehen.

- Prüfen Sie den Wasserstand im Thermopot anhand der Skala (1).
- Gießen Sie Wasser ins Thermopot rechtzeitig hinzu.

WAHL DER HEISSWASSERHALTETEMPERATUR

- Sie können eine von fünf Voreinstellungen der Heißwasserhaltetemperatur wählen.
- Um die Heißwasserhaltetemperatur zu wählen, drücken Sie die «C°-Wahl»-Taste (21). Sie können die Heißwasserhaltetemperatur auf «98-85-65-55-45» Grad einstellen.
- Empfohlene Wassertemperatur für die Zubereitung von Tee und anderen Getränken:
 - «45» - Wassertemperatur für Säuglingsnahrungzubereitung;
 - «55» - Weißteezubereitung;
 - «65» - Rot- oder Kräuterteezubereitung;
 - «85» - Grün- oder Gelbteezubereitung, Kaffeeaufbrühen
 - «98» - Schwarzteezubereitung;
- Die eingestellte Haltetemperatur wird durch die entsprechenden Anzeigen (19) angezeigt.
- Wenn die Wassertemperatur viel niedriger als die eingestellte ist, haben Sie beispielsweise Kaltwasser hinzugefügt, wird in diesem Fall der Kochbetrieb eingeschaltet und die Anzeige (14) «Kochen» leuchtet.

- Sie können den Wiederkochbetrieb einschalten, indem Sie die Taste «Wiederkochen» (13) drücken, dabei leuchtet die Anzeige (14) «Kochen». Nach dem Wasserkochen ertönt ein Tonsignal, und der Wassertemperaturhaltungsbetrieb schaltet sich ein, dabei leuchtet die Wassertemperaturhaltungsanzeige (19) «85». Die Wassertemperatur 85°C ist standardeingestellt.
- Um das Thermopot vom Stromnetz abzutrennen, ziehen Sie den Stecker des Netzkabels (22) aus der Steckdose heraus.

REINIGUNG UND PFLEGE

- Vor der Reinigung trennen (22) Sie das Thermopot vom Stromnetz ab, machen Sie den Deckel (5) auf und warten Sie ab, bis das Thermopot vollständig abkühlt.
- Gießen Sie Restwasser aus dem Thermopotbehälter immer ab, entfernen Sie dazu den Deckel (5).
- Öffnen Sie den Deckel (5) vor dem Entfernen leicht um einen Winkel von ca. 45° und ziehen Sie den Deckel (5) zur Bedienungsplatte (4) (Abb. 2).
- Gießen Sie Restwasser vorsichtig ab, indem Sie das Thermopot umkippen (Abb. 3).
- Setzen Sie den Deckel (5) zurück auf, halten Sie dazu den Deckel (5) in einem Winkel von ca. 45°, und setzen Sie den Deckel (5) auf ihren Aufstellplatz ein; vergewissern Sie sich vor dem Thermopotbetrieb, dass der Deckel (5) sicher verriegelt ist.

- Wischen Sie die Außenoberfläche des Thermopotgehäuses (10) mit einem leicht angefeuchteten Tuch, dann trocknen Sie diese ab.
- Benutzen Sie neutrale Waschmittel zur Entschmutzung, es ist nicht gestattet, Metallbürsten, Abrasiv- und Lösungsmittel zu benutzen.
- Tauchen Sie das Thermopot und das Netzkabel (22) ins Wasser oder jegliche andere Flüssigkeiten nicht ein.
- Es ist nicht gestattet, das Thermopot in der Geschirrspülmaschine zu spülen.

Flecke an der Innenseite des Thermopotbehälters

- Wasser enthält verschiedene Mineralien, die Flecke an der Innenseite des Thermopotbehälters verursachen können. Die Flecke beeinträchtigen den Thermopotbetrieb nicht und sind kein Garantiefall.
- Entfernen Sie die Flecke an der Innenseite des Thermopotbehälters mit einer Zitronensäurelösung oder Essig.
- Um den Geschmack von Zitronensäure oder Essig zu beseitigen, kochen Sie Wasser und gießen Sie es ab.
- Wiederholen Sie den Vorgang, bis der Geruch oder Fremdgeschmack von Wasser vollständig beseitigt ist.

Entfernung von Mineralablagerungen (Kalkstein)

- Die im Thermopotbehälter gebildeten Kalkablagerungen beeinträchtigen den

Wassergeschmack, stören den Wärmeaustausch zwischen Wasser und dem Heizelement und können das Heizelement beschädigen. Das Durchbrennen des Heizelements bei starker Kalkablagerung im Thermopotbehälter ist kein Garantiefall.

- Zur Entkalkung füllen Sie das Thermopot mit Wasser und darin aufgelöstem Speiseessig im Verhältnis 2:1 bis zur Maximalfüllstandsmarke an.
- Stecken Sie den Stöpsel des Netzkabels (22) in den Anschluss (11) am Thermopotgehäuse und den Stecker des Netzkabels (22) in eine Steckdose ein.
- Das Thermopot schaltet sich im Kochbetrieb ein. Nach dem Wasserkochen ziehen Sie den Stecker des Netzkabels (22) aus der Steckdose heraus und lassen Sie Essiglösung im Thermopot über Nacht einwirken.
- Gießen Sie die Essiglösung morgens ab, füllen Sie das Thermopot mit Wasser bis zur Maximalfüllstandsmarke an, lassen Sie es aufkochen und gießen Sie Wasser ab.
- Zum Entkalken ist es empfohlen, spezielle Mittel für elektrische Wasserkocher zu verwenden,
- befolgen Sie die Gebrauchsanweisungen streng.
- Reinigen Sie das Thermopot vom Kalkstein regelmäßig.

AUFBEWAHRUNG

- Bevor Sie das Thermopot zur Langzeitlagerung wegnehmen, trennen Sie es vom Stromnetz ab,

lassen Sie das Gerät abkühlen und gießen Sie Wasser ab.

- Reinigen Sie das Thermopot.
- Bewahren Sie das Thermopot an einem für Kinder und behinderte Personen unzugänglichen Ort auf.

LIEFERUMFANG

- Thermopot – 1 Stk.
- Netzkabel – 1 Stk.
- Bedienungsanleitung – 1 Stk.

TECHNISCHE EIGENSCHAFTEN

- Stromversorgung 220-240 V, ~ 50-60 Hz
- Nennleistungsaufnahme: 1450 W
- Maximale Kapazität: 5,5 l

ENTSORGUNG



Um mögliches Schaden für die Umwelt oder die menschliche Gesundheit durch unkontrollierte Abfallentsorgung zu vermeiden, werfen Sie das Gerät und die Batterien (falls mitgeliefert) nach Beendigung ihrer Nutzungsdauer

zusammen mit gewöhnlichen Haushaltsabfällen nicht weg, geben Sie das Gerät und die Batterien in die Spezialpunkte für weitere Entsorgung über.

Die bei der Entsorgung der Erzeugnisse entstehenden Abfälle sind unbedingt zu sammeln und weiter ordnungsmäßig zu entsorgen.

Mehrere Information zur Entsorgung dieses Produkts erhalten Sie bei Ihrer lokalen Stadtverwaltung, einem Abfallentsorgungsdienst oder beim Geschäft, wo Sie dieses Produkt gekauft haben.

Der Hersteller behält sich das Recht vor, das Design, die Konstruktion und die das gemeine Gerätebetriebsprinzip nicht beeinflussenden technischen Eigenschaften ohne Vorbenachrichtigung zu verändern.

Die Gerätenutzungsdauer beträgt 3 Jahre

Das Herstellungsdatum ist in der Fabrikationsnummer angegeben.

Bei Störungsfeststellung wenden Sie sich baldigst an einen autorisierten Kundendienst.

ТЕРМОПОТ BR1091WH

Термопот предназначен для кипячения воды и поддержания её температуры на заданном уровне.

ОПИСАНИЕ

1. Шкала уровня воды
2. Кнопка включения подачи воды
3. Носик слива воды
4. Панель управления
5. Съёмная крышка
6. Клавиша открытия крышки
7. Отверстия выхода пара
8. Место установки крышки
9. Ручка для переноски
10. Корпус
11. Разъем для подключения сетевого шнура
12. Поворотная подставка

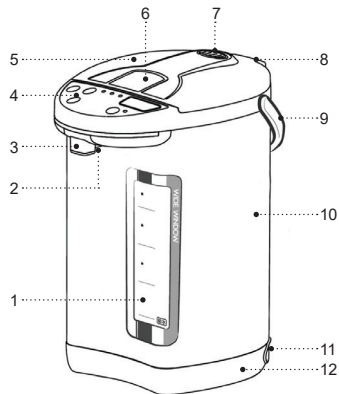
Панель управления

13. Кнопка включения повторного кипячения «Повторное кипячение»
14. Световой индикатор «Кипячение»
15. Световой индикатор «Поддержание температуры»
16. Клавиша включения подачи воды «Поддача воды»
17. Световой индикатор разблокировки подачи воды
18. Кнопка разблокировки подачи воды «Блокировка»
19. Индикация поддержания температуры горячей воды «98-85-65-55-45»

20. Цифровые символы температуры воды
21. Кнопка установки поддержания температуры горячей воды «Выбор C°»
22. Сетевой шнур

ВНИМАНИЕ!

Для дополнительной защиты в цепи питания целесообразно установить устройство защитного отключения (УЗО) с номинальным током срабатывания, не превышающим 30 мА, для установки УЗО обратитесь к специалисту.



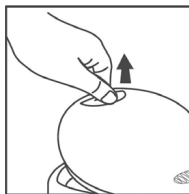
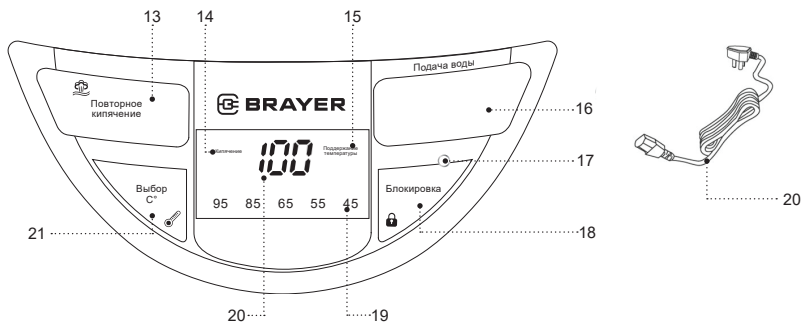


Рис. 1



Рис. 2

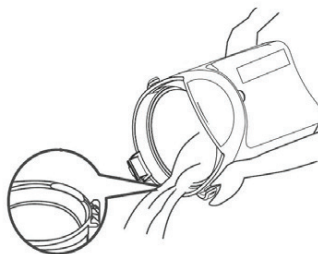


Рис. 3

МЕРЫ БЕЗОПАСНОСТИ И РЕКОМЕНДАЦИИ ПО ЭКСПЛУАТАЦИИ

Перед использованием термopота внимательно ознакомьтесь с руководством по эксплуатации, и сохраните его для использования в будущем.

- Используйте термopот только по его прямому назначению, как изложено в данной инструкции.
- Неправильное обращение с термopотом может привести к его поломке, причинению вреда пользователю или его имуществу и не является гарантийным случаем.
- Термopот предназначен только для подогрева и кипячения питьевой воды, запрещается подогревать или кипятить любые другие жидкости.
- Убедитесь, что рабочее напряжение термopота, указанное на этикетке, соответствует напряжению электросети.
- Вилка шнура питания имеет контакт заземления, вставляйте её в электрическую розетку, имеющую надёжный контакт заземления. При коротком замыкании, заземление снижает риск поражения электрическим током.
- Обратитесь к специалисту-электрику, если вы не уверены в том, что ваши розетки правильно установлены и заземлены.
- Во избежание возникновения пожара запрещается использовать «переходники», предназначенные

для подключения сетевой вилки к электрической розетке, не имеющей контакта заземления.

- При искрении в электрической розетке и присутствии запаха гари, выньте вилку шнура питания из розетки и обратитесь в организацию, обслуживающую вашу домашнюю электрическую сеть.
- При появлении дыма из корпуса термopота, выньте вилку шнура питания из электрической розетки и примите меры к нераспространению огня.
- Запрещается использовать термopот вне помещений.
- Не рекомендуется использовать устройство во время грозы.
- Оберегайте устройство от ударов, падений, вибраций и иных механических воздействий.
- Не включайте термopот без воды.
- Запрещается наполнять термopот непосредственно из водопроводного крана, для наполнения термopота используйте подходящую посуду.
- Запрещается располагать термopот рядом со стенами или вблизи стенок кухонной мебели.
- Установите термopот так, чтобы от стены или мебели до термopота оставалось расстояние не менее 20 см, а свободное пространство над термopотом составляло не менее 50 см.
- Не оставляйте термopот, включённый в сеть, без присмотра.
- Не используйте термopот вблизи от кухонной раковины, в ванных комнатах, около бассейнов или других ёмкостей, наполненных водой.

- Не используйте термопот в непосредственной близости от нагревательных приборов, источников тепла или открытого пламени.
- Запрещается использовать термопот в местах, где используются или распыляются аэрозоли, а также вблизи от легковоспламеняющихся жидкостей.
- Устанавливайте термопот на ровную и устойчивую поверхность, не ставьте его на край стола. Не допускайте, чтобы шнур питания свешивался со стола, а также следите, чтобы он не касался горячих поверхностей и острых кромок мебели.
- Запрещается прикасаться к шнуру питания и вилке шнура питания, мокрыми руками.
- Не включайте термопот без воды, после наполнения термопота, плотно закрывайте крышку.
- Следите, чтобы уровень воды в термопote был не выше максимальной отметки. Если уровень воды будет выше максимальной отметки, кипящая вода может выплеснуться из термопота во время кипячения.
- Во избежание получения ожога горячим паром не наклоняйтесь над отверстиями для выхода пара, расположенными в крышке термопота. Не закрывайте отверстия для выхода пара какими-либо предметами.
- Запрещается открывать крышку термопота во время кипячения воды.
- Будьте осторожны при переносе термопота, наполненного кипятком.
- Соблюдайте особую осторожность, когда сливаете из термопота горячую воду.
- Отключайте термопот от электрической сети перед чисткой или в том случае, если вы им не пользуетесь. При отключении термопота от электрической сети держитесь только за вилку шнура питания и аккуратно выньте её из электрической розетки, не тяните за шнур питания — это может привести к повреждению шнура питания, электрической розетки или вызвать короткое замыкание.
- Во избежание удара электрическим током не погружайте термопот в воду или любые другие жидкости.
- Запрещается помещать термопот в посудомоечную машину.
- Из соображений безопасности не оставляйте полиэтиленовые пакеты, используемые в качестве упаковки, без присмотра и в местах доступных для детей.

ВНИМАНИЕ! Не разрешайте детям играть с полиэтиленовыми пакетами или упаковочной плёнкой.

Опасность удушья!

- Термопот не предназначен для использования детьми.
- Осуществляйте надзор за детьми, чтобы не допустить использования прибора в качестве игрушки.
- Не разрешайте детям прикасаться к устройству и к шнуру питания во время работы термопота.

- Во время работы и остывания размещайте устройство в местах, недоступных для детей.
- Данное устройство не предназначено для использования лицами (включая детей) с пониженными физическими, психическими или умственными способностями, или при отсутствии у них опыта или знаний, если они не находятся под контролем или не проинструктированы об использовании прибора лицом, ответственным за их безопасность.
- Периодически проверяйте состояние шнура питания и вилки шнура питания.
- При повреждении шнура питания, его следует заменить шнуром питания, полученным у изготовителя или сервисной службы.
- Запрещается самостоятельно ремонтировать прибор. Не разбирайте прибор самостоятельно, при возникновении любых неисправностей, а также после падения устройства выключите прибор из электрической розетки и обратитесь в сервисный центр.
- Перевозите термопот в заводской упаковке.
- Храните устройство в местах, недоступных для детей и людей с ограниченными возможностями.

УСТРОЙСТВО ПРЕДНАЗНАЧЕНО ТОЛЬКО ДЛЯ БЫТОВОГО ИСПОЛЬЗОВАНИЯ, ЗАПРЕЩАЕТСЯ ИСПОЛЬЗОВАТЬ УСТРОЙСТВО В КОММЕРЧЕСКИХ ИЛИ ЛАБОРАТОРНЫХ ЦЕЛЯХ.

ПОДГОТОВКА ТЕРМОПОТА К РАБОТЕ

После транспортировки или хранения устройства при пониженной температуре необходимо выдержать его при комнатной температуре не менее 3 часов.

- Распакуйте термопот и удалите все упаковочные материалы.
- Сохраните заводскую упаковку.
- Ознакомьтесь с мерами безопасности и рекомендациями по эксплуатации.
- Проверьте комплектацию.
- Осмотрите термопот на наличие повреждений при наличии повреждений не включайте его в электрическую сеть.
- Убедитесь, что параметры напряжения питания, указанные на этикетке, соответствуют параметрам электрической сети. При использовании термопота в электрической сети частотой 60 Гц, никакие дополнительные действия не требуются.
- Протрите наружную поверхность корпуса (10) чистой, слегка влажной тканью для удаления пыли.
- Откройте крышку (5), нажав на клавишу (6) и взявшись за нее (рис.1).
- Протрите внутреннюю поверхность колбы термопота чистой, слегка влажной тканью для удаления пыли. Закройте крышку (5).

ПЕРВОЕ ВКЛЮЧЕНИЕ И ИСПОЛЬЗОВАНИЕ ТЕРМОПОТА

- Установите термопот на сухой ровной поверхности так, чтобы от стены или мебели до термопота оставалось расстояние не менее 20 см, а свободное пространство над термопотом составляло не менее 50 см.
- Откройте крышку (5), нажав на клавишу (6) и взявшись за нее (рис.1).
- Залейте в термопот воду, используя подходящую посуду, не превышайте отметку максимального уровня воды. Запрещается наполнять термопот непосредственно из водопроводного крана, для наполнения термопота используйте подходящую посуду.

Примечание: для уменьшения количества минеральных отложений (накипи), рекомендуется использовать воду, прошедшую очистку бытовыми фильтрами воды.

- Закройте крышку (5) до щелчка фиксатора, убедитесь, что крышка (5) закрыта.

Примечание: при использовании термопота, следите за состоянием уплотнительной прокладки крышки (5), при обнаружении на прокладке трещин, прекратите использование термопота и обратитесь в сервисный центр для замены прокладки.

- Вставьте штекер шнура питания (22) в разъем (11) на корпусе термопота, а вилку шнура питания (22) в электрическую розетку.

- На панели управления (4) загорится индикатор режима кипячения воды (14) «Кипячение», цифровыми символами (20) будет отображаться температура воды в термопote.
- После длительного кипячения воды, прозвучит звуковой сигнал и термопот переключится в режим поддержания температуры, при этом загорится индикатор поддержания температуры воды (19) «85». Температура воды 85°C, установлена по умолчанию.

Примечание: в термопote используется технология длительного кипячения воды, при этом в воде значительно уменьшается содержание растворенного хлора.

- Во избежание получения ожога горячим паром не наклоняйтесь над отверстиями для выхода пара (7), расположенными в крышке термопота (5). Не закрывайте отверстия для выхода пара (7) какими-либо предметами.
- После первого кипячения слейте воду. Полученную в результате первого кипячения горячую воду не рекомендуется употреблять в пищу, вы можете использовать ее для бытовых нужд.

ВНИМАНИЕ!

Во время слива воды соблюдайте осторожность во избежание получения ожогов горячей водой.

- Разблокируйте включение помпы подачи воды, нажав и удерживая кнопку (18) «Блокировка» в

течение 5 секунд, при этом загорится индикатор (17).

- Для слива воды Вы можете воспользоваться следующими вариантами:

Первый вариант: подставьте подходящую посуду под носик слива воды (3), например, чашку, и нажмите краем чашки на кнопку подачи воды (2).

Второй вариант: подставьте подходящую посуду под носик слива воды (3), нажмите и удерживайте клавишу подачи воды (16) «Подача воды», после наполнения чашки, отпустите клавишу (16).

Примечания:

- подача воды осуществляется только при включенном индикаторе (17), если вы нажали кнопку (18) «Блокировка» и не произвели никаких действий, в этом случае индикатор (17) погаснет через 10 секунд;

- если вы на пользовались термопотом длительное время, подача воды может работать с перебоями. В этом случае рекомендуется открыть и закрыть крышку (5), и повторно включить подачу воды.

- Для отключения термопота, выньте вилку шнура питания (22) из электрической розетки.
- Откройте крышку термопота (5) и дождитесь его полного остывания.
- Всегда сливайте остатки воды из колбы термопота, для этого необходимо снять крышку (5).

- Перед снятием крышки (5), приоткройте её на угол, приблизительно в 45°, и потяните крышку (5) по направлению к панели управления (4) (рис. 2).
- Наклоняя термопот, аккуратно слейте остатки воды (рис. 3).
- Установите крышку (5) на место, для этого расположите крышку (5) под углом, приблизительно в 45° и вставьте крышку (5) в место её установки, перед использованием термопота убедитесь, что крышка (5) надёжно зафиксирована.

Дополнительная информация

- Термопот имеет вращающееся основание (12), вы можете повернуть корпус (10) термопота в нужном направлении.
- Следите за уровнем воды в термопote, используя шкалу (1).
- Своевременно доливайте воду в термопот.

ВЫБОР ТЕМПЕРАТУРЫ ПОДДЕРЖАНИЯ ГОРЯЧЕЙ ВОДЫ

- Вы можете выбрать одну из пяти предустановок поддержания температуры горячей воды.
- Для выбора температуры поддержания горячей воды, нажмите кнопку (21) «Выбор C°», вы можете выбрать температуру поддержания горячей воды «98-85-65-55-45» градусов.
- Рекомендуемая температура воды для заваривания чая и приготовления других напитков:

- «45» - температура воды для приготовления детских молочных смесей
- «55» - заваривание белого чая
- «65» - красного или травяного чая
- «85» - зелёного или жёлтого чая, заваривая кофе
- «98» - чёрного чая
- Установленная температура поддержания, отображается соответствующими индикаторами (19).
- Если температура воды снизится значительно ниже установленной, например, вы долили холодную воду, в этом случае включится режим кипячения и индикатор (14) «Кипячение» загорится.
- Вы можете включить режим повторного кипячения воды, нажав кнопку (13) «Повторное кипячение», при этом загорится индикатор (14) «Кипячение», после кипячения воды прозвучит звуковой сигнал и включится режим поддержания температуры воды, при этом загорится индикатор поддержания температуры воды (19) «85». Температура воды 85°C, установлена по умолчанию.
- Для отключения термopота, выньте вилку шнура питания (22) из электрической розетки.

ЧИСТКА И УХОД

- Перед чисткой термopота, выньте вилку шнура питания (22) из электрической розетки, откройте крышку (5) и дождитесь полного остывания термopота.

- Всегда сливайте остатки воды из колбы термopота, для этого необходимо снять крышку (5).
- Перед снятием крышки (5), приоткройте её на угол, приблизительно в 45°, и потяните крышку (5) по направлению к панели управления (4) (рис. 2).
- Наклоняя термopот, аккуратно слейте остатки воды (рис. 7).
- Установите крышку (5) на место, для этого расположите крышку (5) под углом, приблизительно в 45° и вставьте крышку (5) в место её установки, перед использованием термopота убедитесь, что крышка (5) надёжно зафиксирована.
- Протрите внешнюю поверхность корпуса (10) термopота слегка влажной тканью, после чего вытрите насухо.
- Для удаления загрязнений используйте нейтральные моющие средства, запрещается использовать металлические щетки, абразивные чистящие средства и растворители.
- Не погружайте термopот и шнур питания (22) в воду или любые другие жидкости.
- Не помещайте термopот в посудомоечную машину.

Пятна на внутренней поверхности колбы термopота

- Вода содержит различные минеральные вещества, которые могут вызвать появление пятен на внутренней поверхности колбы термopота, пятна

никак не влияют на работу термopота, появление пятен не является гарантийным случаем.

- Удалить пятна на внутренней поверхности колбы термopота можно раствором лимонной кислоты или столовым уксусом.
- Для устранения привкуса лимонной кислоты или уксуса вскипятите воду и слейте её.
- Повторите процедуру до полного устранения запаха или постороннего привкуса воды.

Удаление минеральных отложений (накипи)

- Накипь, образующаяся внутри колбы термopота, влияет на вкусовые качества воды, нарушает теплообмен между водой и нагревательным элементом, а также создаёт угрозу выхода из строя нагревательного элемента, перегорание нагревательного элемента при наличии большого количества накипи в колбе термopота, не является гарантийным случаем.
- Для удаления накипи наполните термopот водой с разведенным в ней столовым уксусом в пропорции 2:1 до максимального уровня.
- Вставьте штекер шнура питания (22) в разъем (11) на корпусе термopота, а вилку шнура питания (22) в электрическую розетку.
- Термopот включится в режим кипячения. После закипания воды, выньте вилку шнура питания (22) из электрической розетки и оставьте термopот с раствором уксуса на ночь.

- Утром слейте раствор уксуса, наполните термopот водой до максимального уровня, вскипятите и слейте воду.
- Для удаления накипи можно использовать специальные средства, предназначенные для электрических чайников, строго придерживайтесь инструкции по их использованию.
- Регулярно очищайте термopот от накипи.

ХРАНЕНИЕ

- Прежде чем убрать термopот на длительное хранение, отключите его от электросети,
- дайте устройству остыть и слейте воду.
- Проведите чистку термopота.
- Храните термopот в местах, недоступных для детей и людей с ограниченными возможностями.

КОМПЛЕКТ ПОСТАВКИ

1. Термopот – 1 шт.
2. Шнур питания – 1 шт.
3. Инструкция – 1 шт.

ТЕХНИЧЕСКИЕ ХАРАКТЕРИСТИКИ

- Электропитание: 220-240 В ~ 50-60 Гц
- Номинальная потребляемая мощность: 1450 Вт
- Максимальный объем: 5,5 л

УТИЛИЗАЦИЯ



Чтобы предотвратить возможный вред окружающей среде или здоровью людей от неконтролируемой утилизации отходов, после окончания срока службы устройства или элементов питания (если входят в комплект) не выбрасывайте их вместе с обычными бытовыми отходами, передайте прибор и элементы питания в специализированные пункты для дальнейшей утилизации.

Отходы, образующиеся при утилизации изделий, подлежат обязательному сбору с последующей утилизацией в установленном порядке.

Для получения дополнительной информации об утилизации данного продукта обратитесь в местный муниципалитет, службу утилизации бытовых отходов или в магазин, где Вы приобрели данный продукт.

Для получения дополнительной информации об утилизации данного продукта обратитесь в местный муниципалитет, службу утилизации бытовых отходов или в магазин, где Вы приобрели данный продукт.

Производитель сохраняет за собой право изменять дизайн, конструкцию и технические характеристики, не влияющие на общие принципы работы устройства, без предварительного уведомления.

Срок службы устройства – 3 года

Дата производства указана в серийном номере.

В случае обнаружения каких-либо неисправностей необходимо обратиться в авторизованный сервисный центр.

ТЕРМОПОТ BR1091WH

Термопот суды қайнатуға және оның температурасын берілген деңгейде ұстауға арналған.

СИПАТТАМАСЫ

1. Су деңгейінің шкаласы
2. Су батырмасы
3. Су құятын шүмек
4. Басқару панелі
5. Шешілмелі қақпақ
6. Қолды сорғы
7. Бу шығатын тесіктер
8. Қақпақты бекітетін орын
9. Тасымалдауға арналған қолсап
10. Корпусы
11. Желілік бауды қосуға арналған ұя
12. Айналатын түпқойма

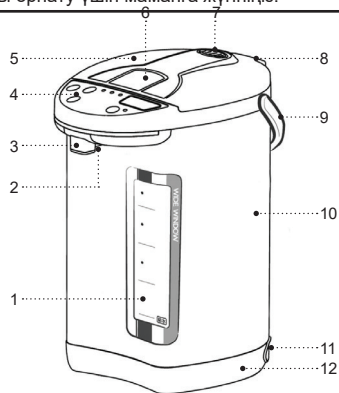
Басқару панелі

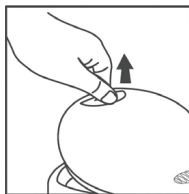
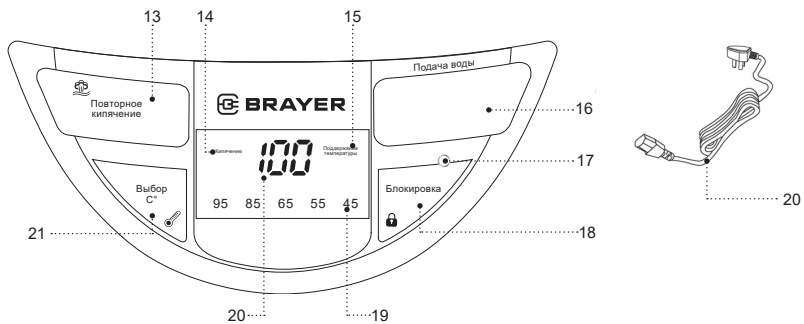
13. Қайтадан қайнатуды қосатын түйме «Қайтадан қайнату»
14. «Қайнату» жарықтық индикаторы
15. «Температураны сақтау» жарықтық индикаторы
16. Су беруді қосатын түйме «Су беру»
17. Суды жіберуді бұғаттаудан босатудың жарықтық индикаторы
18. Су беруді бұғаттаудан босату түймесі «Бұғаттау»

19. Ыстық су температурасын ұстаудың «98-85-65-55-45» индикациясы
20. Су температурасының цифрлік таңбалары
21. Ыстық су температурасын ұстауды орнататын түйме «С° таңдау»
22. Желілік бау

НАЗАР АУДАРЫҢЫЗ!

Қосымша қорғаныс үшін қоректендіру тізбегінде номиналдық іске қосылу тогы 30 МА аспайтын қорғаныс сөндіру құралын (ҚСҚ) орнатқан дұрыс, ҚСҚ-ны орнату үшін маманға жүгініңіз.

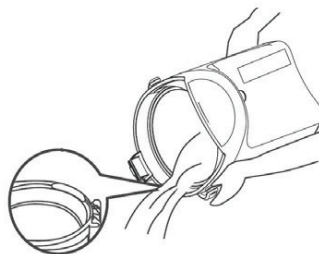




Сур. 1



Сур. 2



Сур. 3

ҚАУІПСІЗДІК ШАРАЛАРЫ ЖӘНЕ ПАЙДАЛАНУҒА БЕРУ БОЙЫНША КЕҢЕСТЕР

Термопот пайдалану алдында пайдалану нұсқаулығын мұқият оқып шығыңыз, оқыған соң болшақта пайдалану үшін сақтап қойыңыз.

- Термопот осы нұсқаулықта көрсетілгендей тікелей мақсатына бойынша ғана пайдаланыңыз.
- Термопот дұрыс қолданбау оның бұзылуына, және пайдаланушыға немесе оның мүлкіне зиян келтіруге әкеп соғуы мүмкін және кепілдік жағдайы болып саналмайды.
- Термопот ішуге арналған суды ғана қыздыруға және қайнатуға арналған, қандай да бір басқа сұйықтықтарды қыздыруға немесе қайнатуға тыйым салынады.
- Заттаңбада көрсетілген термопотті жұмыс кернеуі электр желісінің кернеуіне сәйкес екеніне көз жеткізіңіз.
- Қуаттандыру бауы айырының тұйықтандыру байланысы бар, оны тұйықтандырудың сенімді байланысы бар электрлік розеткаға қосыңыз. Қысқа матасу кезінде тұйықтандыру электрлік ток соғу қаупін төмендетеді.
- Егер розетканың дұрыс орнатылғанына және жерге қосуына сенімді болмасаңыз, электр маманына хабарласыңыз.
- Өрттің шығуын болдырмау үшін жерге қосу түйісі жоқ электр розеткасына қосуға арналған,

желілік айыр «өткізгіштерін» пайдалануға тыйым салынады.

- Күйік иісі және от ұшқыны пайда болған кезде, розеткадан желі бауының айырын шығарыңыз және үйдің электр желісіне қызмет көрсететін ұйымға хабарласыңыз.
- Термопот корпусынан түтін шыққан кезде қуаттандыру бауының айырын электрлік розеткадан шығарыңыз және от таралмауға қатысты шараларды қолданыңыз.
- Термопот үй-жайдан тыс жерде пайдалануға тыйым салынады.
- Найзағай кезінде құралды пайдалануға кеңес берілмейді.
- Құралды соққыдан, құлаудан, дірілден және басқа да механикалық әсерлерден сақтаңыз.
- Суы жоқ термопотты қоспаңыз.
- Термопотқа суды тікелей су құбыры шүмегінен толтыруға тыйым салынады, термопотты толтыру үшін қолайлы ыдысты пайдаланыңыз.
- Термопотты қабырғалардың қасында немесе асүйлік жиһаз қабырғаларына таяу орналастыруға тыйым салынады.
- Термопотты қабырғадан немесе жиһаздан термопотқа дейін кемінде 20 см аралық болатындай, ал термопоттың үстіндегі бос кеңістік кемінде 50 см құратындай етіп орналастыру керек.
- Желіге қосулы тұрған термопот қараусыз қалдырмаңыз.

- Термопот ас үй раковинасына жақын, жуына-тын бөлмеде, бассейндер немесе басқа да су толтырылған сыйымдылықтарға жақын жерде пайдалануға болмайды.
- Термопот жылытатын аспаптардың, ашық оттың немесе жылу көздерінің тікелей қасында пайдалануға болмайды.
- Термопот аэрозольдар пайдаланылатын немесе шашырайтын жерлерде, сондай-ақ тез тұтанатын сұйықтықтарға жақын жерлерде пайдалануға тыйым салынады.
- Термопот тегіс және тұрақты бетке орнатыңыз, оны үстелдің шетіне қоймаңыз. Желілік бауының үстелден салбырап тұруына жол бермеңіз, сонымен бірге оның ыстық беттермен және жиһаздың үшкір жиектерімен жанаспауын қадағалаңыз.
- Қуаттандыру бауы мен ақуаттандыру бауының айырына дымқыл қолмен тиісуге тыйым салынады.
- Термопот сусыз қоспаңыз, термопот толтырғаннан кейін қақпағын тығыз жабыңыз.
- Термопоттегі судың деңгейі термопот құтысы ішіне салынған максималдық белгісінен жоғары болмауын қадағалаңыз. Егер судың көлемі максималдық белгіден асып тұрса, қайнаған кезде қайнаған су термопоттен тасып төгілуі мүмкін.
- Суды қайнату кезінде ыстық буға күйіп қалмау үшін жұмыс істеп тұрған термопоттің шүмегіне төнбеңіз.
- Суды қайнатқан кезде термопоттің қақпағын ашуға тыйым салынады.
- Термопоттің беті өте жоғары температурада болуы мүмкін. Термопоттің қызған беттеріне тиіскен кезде ұқыптылық пен абайлық сақтаңыз. Термопот тұтқасынан ұстаңыз.
- Қайнаған суға толы термопот тасымалдаған кезде сақ болыңыз. Термопот суын төккенде абайлаңыз, термопот күрт еңкейтпеңіз, термопот ұқыпсыз пайдаланғанда, сіз ыстық суға күйіп қалуыңыз мүмкін.
- Термопот тазалау алдында немесе пайдаланбайтын болған жағдайда, оны электр желісінен ажыратыңыз. Термопот желіден ажыратқан кезде тек айырынан ұстаңыз және оны электр розеткасынан абайлап шығарыңыз, сымнан тартпаңыз — бұл сымның және розетканың зақымдануына әкелуі және қысқа тұйықталуын тудыруы мүмкін.
- Электр тогының соғу қаупін болдырмас үшін термопот суға немесе кез-келген басқа да сұйықтыққа салуға болмайды.
- Термопот ыдыс жуатын машинаға салуға тыйым салынады.
- Балалардың қауіпсіздігі мақсатында орама ретінде қолданылатын полиэтилен қапшықтарды қараусыз қалдырмаңыз.

НАЗАР АУДАРЫҢЫЗ! Балаларға полиэтилен пакеттерімен немесе қаптама үлдірімен ойнауға рұқсат етпеңіз. **Тұншығу қаупі бар!**

- Электрлік термопот балалардың пайдалануына арналмаған.
- Аспапты ойыншық ретінде пайдаланбас үшін балаларды қадағалап отырыңыз.
- Электрлік термопот жұмыс істеп тұрғанда, балаларға қуаттандыру бауына және құралға тиісуіне балаларға рұқсат бермеңіз.
- Жұмыс кезінде және жуу кезінде құралды балалардың қолы жетпейтін жерге қойыңыз.
- Осы құрал дене, психикалық немесе ақыл-ой мүмкіндіктері төмендетілген тұлғалардың
- (балаларды қоса) немесе олардың тәжірибесі немесе білімі болмаса, егер олар бақыланбаса немесе олардың қауіпсіздігі үшін жауап беретін тұлғамен аспапты пайдалану туралы нұсқаулықтар берілген болмаса, олардың пайдалануына арналмаған.
- Қуаттандыру бауының желі айыры және термопот корпусының жағдайын мезгілімен тексеріңіз.
- Қуаттандыру бауы зақымдалған жағдайда оны дайындаушыдан немесе сервистік қызметтен алынған қуаттандыру бауына ауыстыру керек.
- Аспапты өз бетіңізбен жөндеуге тыйым салынады. Аспапты өз бетіңізбен жөндемеңіз, кез-келген ақаулықтар пайда болған кезде, сондай-ақ құрал құлағаннан кейін аспапты электр розеткасынан ажыратып, қызмет көрсету орталығына хабарла-сыңыз.

- Құралды тек зауыт қаптамасымен ғана тасымал-даңыз.
- Құралды балалардың және мүмкіндіктері шектеулі адамдардың қолы жетпейтін жерде сақтаңыз.

ТЕРМОПОТ ТЕК ТҰРМЫСТЫҚ ПАЙДАЛАНУҒА АРНАЛҒАН, КОФЕҚАЙНАТҚЫШТЫ КОМЕРЦИ-ЯЛЫҚ НЕМЕСЕ ЗЕРТХАНАЛЫҚ МАҚСАТТАРДА ПАЙДАЛАНУҒА ТЫЙЫМ САЛЫНАДЫ.

ТЕРМОПОТТЫ ЖҰМЫСҚА ДАЙЫНДАУ

Құралды төмен температура кезінде тасымал-дағаннан немесе сақтағаннан кейін оны бөлме температурасында 3 сағаттан кем емес уақыт ұстау керек.

- Термопотты қаптамадан шығарыңыз және барлық қаптамалық материалдарды алып тастаңыз.
- Зауыттық қаптамасын сақтап қойыңыз.
- Қауіпсіздік шаралары мен пайдалануға беруге қатысты кеңестермен танысыңыз.
- Жинақталымын тексеріңіз.
- Термопотты зақымдануына қатысты тексеріп алыңыз, зақымдануы болған жағдайда оны электрлік желіге қоспаңыз.
- Заттаңбада көрсетілген қуаттандыру кернеуінің параметрлері электр желісінің параметрлеріне сәйкес келетініне көз жеткізіңіз. Термопотты 60 Гц

жиіліктегі электр желісінде пайдаланғанда, ешқандай қосымша әрекеттер қажет емес.

- Корпустың (10) сыртқы бетін таза, шаңды сүртуге арналған сәл дымқыл матамен сүртіңіз.
- Пернені (6) басып және оны тарта отырып, қақпақты (5) ашыңыз (1-сур.).
- Термопот құтысының ішкі бетін таза, шаңды сүртуге арналған сәл дымқыл матамен сүртіңіз. Қақпақты (5) жабыңыз.

ТЕРМОПОТТЫ БІРІНШІ РЕТ ҚОСУ ЖӘНЕ ПАЙДАЛАНУ

- Термопотты қабырғадан немесе жиһаздан термопотқа дейінгі қашықтық 20 см кем болмайтындай, ал термопоттың үстіндегі кеңістік 50 см кем болмайтындай етіп, құрғақ тегіс бетке орнатыңыз.
- Пернені (6) басып және оны тарта отырып, қақпақты (5) ашыңыз (1-сур.).
- Тиісті ыдысты пайдаланып, термопотқа су құйыңыз, су деңгейінің максималдық белгісінен (14) асырмаңыз. Термопотқа суды су құбыры шүмегінен тікелей толтыруға тыйым салынады, термопотты толтыру үшін қолайлы ыдысты пайдаланыңыз.

Ескөртпе: минералдық шөгіндінің (қақтың) көлемін азайту үшін судың тұрмыстық сүзгішінен тазалаудан өткен суды пайдалануға кеңес беріледі.

- Бекіткіш шертілгенге дейін қақпақты (5) жабыңыз, қақпақтың (6) тығыз жабылғанына көз жеткізіңіз.

Ескөртпе: термопотты пайдалану кезінде тығыздайтын төсеніштің күйін байқаңыз, төсеніште сызат табылған жағдайда термопотты пайдалануды тоқтату керек, төсенішті ауыстыру үшін сервистік орталыққа хабарласу керек.

- Желілік баудың штекерін (22) термопот корпусындағы (11) ағытпаға, ал қуаттандыру бауының айырын (22) электрлік розеткаға салыңыз.
- Басқару панелінде (4) суды қайнату индикаторы (14). Цифрлік таңбалармен (22) термопоттағы су температурасы көрсетіледі.
- Су ұзақ қайнағаннан кейін дыбыстық белгі беріледі және термопот температураны сақтау тәртібіне ауысады, осы жерде су температурасын сақтау индикаторы «85» (19) жанады. 85°C су температурасы әдепкі қалпы бойынша белгіленген.

Ескөртпе: термопотта суды ұзақ қайнату технологиясы пайдаланылады, бұл жерде суда ерітілген хлордың құрамы әжептеуір азаяды.

- Ыстық буға күйге жол бермеу үшін термопоттың қақпағында (5) орналасқан бу шығатын тесіктің (7) үстіне еңкеймеңіз. Бу шығатын тесікті (7) қандай да бір заттармен жаппаңыз.
- Бірінші рет қайнағаннан кейін суды төгіп тастаңыз. Бірінші рет қайнату нәтижесінде алынған ыстық суды тамаққа қолдануға кеңес берілмейді, оны тұрмыстық қажеттіліктер үшін пайдалануға болады.

НАЗАР АУДАРЫҢЫЗ!

Суды төккен кезде ыстық суға күйіп қалмау үшін мұқият болыңыз.

- Су беру сорғысын қосуды бұғаттаудан шығарыңыз, ол үшін «Бұғаттау» түймесін (18) басып, 5 секунд ұстау керек, осы жерде индикатор (17) жанады.
- Суды төгіп тастау үшін келесі нұсқаларды пайдалануға болады:

Бірінші нұсқа: тиісті ыдысты, мысалы, тостағанды, су ағызатын шүмектің (3) астына қойыңыз, және тостағанның шетімен су беру түймесін басыңыз (2).

Екінші нұсқа: тиісті ыдысты су ағызатын шүмектің (2) астына қойыңыз және су беру пернесін «Су беру» (16) басып, 5 секунд ұстау керек, тостаған толғаннан кейін пернені (16) жіберіңіз.

Ескертпелер:

- су беру индикатор (17) қосылған күйде болғанда ғана іске қосылады, егер сіз «Бұғаттау» түймесін (18) басып, ешқандай әрекет жасамасаңыз, онда бұл жағдайда индикатор (17) 10 секундтан кейін өшеді;
- егер сіз термopotты ұзақ уақыт пайдаланбаған болсаңыз, онда су беру үзіліспен жұмыс істеуі мүмкін. Бұл жағдайда қақпақты (5) ашып, жабуға және су беруді қайта қосуға кеңес беріледі.

- Термopotты өшіру үшін қуаттандыру бауының айырын (22) электрлік розеткадан шығарыңыз.
- Термopotтың қақпағын (5) ашыңыз және оның толық салқындауын күтіңіз.
- Үнемі термopot құтысынан судың қалдығын төгіп тастау керек, ол үшін қақпақты (5) шешу керек.
- Қақпақты (5) шешудің алдында оны 45° шамамен бұрышқа қарай ашыңыз және қақпақты (5) басқару панелі (4) бағытына қарай тартыңыз (2-сур).
- Термopotты еңкейтіп, судың қалдықтарын абайлап төгіңіз (3-сур.).
- Қақпақты (5) орнына қойыңыз, ол үшін қақпақты (5) 45° шамамен кішкене бұрыш күйіне орналастырыңыз, қақпақты (5) орнатылатын жеріне салыңыз, термopotты пайдаланудың алдында қақпақтың (5) сенімді бекітілгендігіне көз жеткізіңіз.

Қосымша ақпарат

- Термopotтың айналмалы негізі (12) бар, термopotтың корпусын (10) керекті бағытқа қарай бұра аласыз.
- Шкаланы (1) пайдалану арқылы термopotтағы судың деңгейін тексеріп отырыңыз.
- Термopotқа уақытылы су құйыңыз.

ЫСТЫҚ СУДЫ САҚТАУ ТЕМПЕРАТУРАСЫН ТАҢДАУ

- Сіз ыстық су температурасын сақтауды орнатудың бес түрінің біреуін таңдай аласыз.

- Ыстық су температурасын сақтауды таңдау үшін «С° таңдау» түймесін (21) басыңыз, сіз ыстық су температурасын сақтауды «98-85-65-55-45» градустан таңдай аласыз.
- Шайды демдеуге және басқа сусындарды әзірлеуге кеңес берілетін температура:
 - «45°» – балаларға арналған сүт қоспаларын әзірлеуге арналған су температурасы
 - «55°» – ақ шайды демдеу
 - «65°» – қызыл немесе шөпті шайды демдеу
 - «85°» – жасыл немесе сары шай, кофе демдеу
 - «98°» – қара шай демдеу
- Белгіленген сақтау температурасы тиісті индикаторлармен (19) көрсетіледі.
- Егер судың температурасы белгіленген деңгейден әжептеуір төмендеп кетсе, мысалы, сіз судың үстінен суық су құйдыңыз делік, онда қайнау тәртібі қосылады және «Қайнату» (14) индикаторы жанады.
- Сіз «Қайтадан қайнату» түймесін (13) басып, суды қайтадан қайнату тәртібін қоса аласыз, осы жерде «Қайнату» (14) индикаторы жанады. Су қайнағаннан кейін дыбыстық белгі беріледі және температураны сақтау тәртібі қосылады, осы жерде су температурасын сақтау индикаторы «85» (19) жанады. 85°C су температурасы әдепкі қалпы бойынша белгіленген.

- Термопотты өшіру үшін қуаттандыру бауының айырын (22) электрлік розеткадан шығарыңыз.

ТАЗАЛАУ ЖӘНЕ КҮТІМ

- Термопотты тазалаудың алдында қуаттандыру бауының айырын электрлік розеткадан (22) шығарыңыз, қақпақты (5) ашыңыз, термопоттың толық суығанын күтіңіз.
- Үнемі термопот құтысынан судың қалдығын төгіп тастау керек, ол үшін қақпақты (5) шешу керек.
- Қақпақты (5) шешудің алдында оны 45° шамамен бұрышқа қарай ашыңыз және қақпақты (5) басқару панелі (4) бағытына қарай тартыңыз (2 сур).
- Термопотты еңкейтіп, судың қалдықтарын абайлап төгіңіз (3-сур.).
- Қақпақты (5) орнына қойыңыз, ол үшін қақпақты (5) 45° шамамен кішкене бұрыш күйіне орналастырыңыз, қақпақты (5) орнатылатын жеріне салыңыз, термопотты пайдаланудың алдында қақпақтың (5) сенімді бекітілгендігіне көз жеткізіңіз.
- Термопот корпусының (10) сыртқы бетін сәл дымқыл матамен сүртіңіз, содан кейін құрғатып сүртіңіз.
- Ластануды кетіру үшін бейтарап жуғыш заттарды пайдаланыңыз, металл
- қылшақтарды, абразивтік тазалау құралдары мен еріткіштерді қолдануға тыйым салынады.
- Термопот пен қуаттандыру бауын (22) суға немесе басқа кез-келген сұйықтықтарға салуға болмайды.
- Термопотты ыдыс жуатын машинаға салмаңыз.

Термопот құтысының ішкі бетіндегі дақтар

- Суда термопот құтысының ішкі беттерінде дақтың пайда болуына әкелетін әртүрлі минералдық заттар болады, дақтар термопоттың жұмысына әсер етпейді, дақтың пайда болуы кепілдік жағдайы болып табылмайды.
- Термопот құтысының ішкі беттеріндегі дақтарды лимон қышқылы мен ас үйлік сірке суының ерітіндісімен кетіруге болады.
- Лимон қышқылының немесе сірке суының жағымсыз дәмін кетіру үшін суды қайнатыңыз және оны төгіп тастаңыз.
- Судағы иіс пен дәм толық кеткенге дейін әрекетті қайталау керек.

Минералдық шөгіндіні (қақты) кетіру

- Термопот құтысының ішінде пайда болған қақ судың дәміне әсер етеді, су мен қыздыратын элемент арасындағы жылумен алмастыруды бұзады, сонымен қатар қыздыратын элементтің қатардан шығу қаупін тудырады, термопот құтысында қақтың көп болуы кезінде қыздыратын элемент күйіп кеткен жағдай кепілдік жағдай болып табылмайды.
- Қақты кетіру үшін ас сірке суының 2:1 пропорциясы бойынша араластырылған суды термопоттың «FULL» (15) максималдық деңгейіне дейін құйыңыз.

- Желілік баудың штекерін (22) термопот корпусындағы ағытпаға (11) салыңыз, ал желілік баудың айырын (22) электрлік розеткаға қосыңыз.
- Термопот қайнату тәртібінде іске қосылады. Су қайнағаннан кейін, желілік баудың айырын (22) электрлік розеткадан шығарыңыз және сірке су ерітіндісі бар термопотты түнге қалдырыңыз.
- Таңертең сірке суы ерітіндісін төгіңіз, термопотты сумен максималдық деңгейіне дейін толтырыңыз, суды қайнатыңыз және төгіңіз.
- Қақты кетіру үшін
- электрлік шайнектер арналған арнайы құралдарды пайдалануға болады, оларды қолдану жөніндегі нұсқаулықты қатаң сақтау керек.
- Термопотты қақтан жүйелі түрде тазалау керек.

САҚТАУ

- Термопотты ұзақ сақтауға алып қоярдың алдында оны электрлік желіден өшіру керек, құралды суытып, суын төгіңіз.
- Термопотты тазалаңыз.
- Құралды балалардың және мүмкіндіктері шектеулі адамдардың қолы жетпейтін жерде сақтаңыз.

ЖЕТКІЗІЛІМ ЖИЫНТЫҒЫ

1. Термопот – 1 дана.
2. Қуаттандыру бауы – 1 дана.
3. Нұсқаулық – 1 дана.

ТЕХНИКАЛЫҚ СИПАТТАМАЛАРЫ

- Электр қуаттандыруы 220-240 В, ~ 50-60 Гц
- Номиналды тұтыну қуаты: 1450 Вт
- Максималды көлемі: 5,5 л

КӘДЕГЕ АСЫРУ



Қалдықтардың бақыланбай пайдаға асыруынан қоршаған ортаға немесе адамдардың денсаулығына зиян келтірмеу үшін, құралдың немесе қуаттандыру элементтерінің (егер жинағына кірсе) қызмет ету мерзімі аяқталғаннан

кейін оларды әдеттегі тұрмыстық қалдықтармен бірге тастамаңыз, аспапты және қуаттандыру элементтерін одан әрі кәдеге асыру үшін арнайы пункттерге жіберіңіз.

Бұйымдарды кәдеге асыру кезінде пайда болатын қалдықтар белгіленген тәртіп бойынша келесі пайдаға асырылатын тәртіппен міндетті түрде жинауға жатады.

Берілген өнімді кәдеге асыру туралы қосымша ақпаратты алу үшін жергілікті муниципалитетке, тұрмыстық қалдықтарды пайдаға асыру қызметіне немесе осы өнімді сатып алған дүкенге жүгініңіз.

Өндіруші алдын-ала ескертусіз, құралдың дизайнын, конструкциясы мен оның жалпы жұмыс ұстанымдарына әсер етпейтін техникалық сипаттамаларын өз-герту құқығын өзіне қалдырады.

Құралдың қызмет ету мерзімі – 3 жыл

Өндірілген күні сериялық нөмірде көрсетілген.

Қандай да бір ақаулықтар табылған жағдайда дереу авторландырылған сервистік орталыққа жүгіну керек.



Hergestellt für «Ruste GmbH»,
Berggasse 18/18, 1090 Wien,
Österreich

Produced for «Ruste GmbH»,
Berggasse 18/18, 1090 Vienna, Austria

Изготовлено по заказу Русте Гмбх,
Бергассе 18/18, 1090 Вена, Австрия

Уполномоченное изготовителем
лицо: ООО «Грантэл»
143912, МО, г. Балашиха,
ш. Энтузиастов, вл. 1А
т.: +7 (498) 297-50-20,
e-mail: info@brayer.su

Made in China/Произведено в Китае

brayer.ru

