

Instruction manual  
Инструкция по эксплуатации

Coffee maker BR1121  
Кофеварка BR1121



## СОДЕРЖАНИЕ

EN.....	3
DE.....	11
RU.....	20
KZ.....	29
BY.....	38

**COFFEE MAKER BR1121**

The coffee maker is intended for making “espresso” and “cappuccino” coffee.

**DESCRIPTION**

1. Ready coffee flask
2. Flask handle
3. Flask lid
4. Filter holder
5. Reusable filter
6. Water tank lid
7. Water tank
8. Water level scale
9. Coffee maker body
10. Flask installation/flask warming tray
11. Support legs

**Control panel**

12. Control panel
13. Switch-on setting time button «PROG»
14. Setting mode operation indicator
15. «Hours» time setting button «HOUR»
16. Display
17. «Minutes» time setting button «MIN»
18. Coffee maker on indicator
19. “ON/OFF” button

**ATTENTION!**

For additional protection it is reasonable to install a residual current device (RCD) with nominal operation current not exceeding 30 mA, to install RCD, contact a specialist.

## SAFETY MEASURES AND COFFEE MAKER OPERATION RECOMMENDATIONS

Read the operation instructions carefully before using the coffee maker and keep it for future reference.

- Use the coffee maker for its intended purpose only, as specified in this manual.
- Mishandling the coffee maker can lead to its breakage and cause harm to the user or damage to his/her property and it is not covered by warranty.
- The coffee maker is intended for making espresso and cappuccino coffee and warming up ready drinks. Do not warm any other liquids.
- Make sure that the operating voltage of the coffee maker indicated on the label corresponds to your home mains voltage.
- The power plug is equipped with a grounding contact, plug it into the socket with
- reliable grounding contact. In case of short circuit the grounding reduces the risk of electric shock.
- Contact an electrical technician, if you are not sure that your sockets are installed properly and grounded.
- To prevent fire do not use adapters designed for connecting the power plug to the mains socket without grounding contact.
- In case of sparking in the mains socket and occurrence of smell of burning, unplug the unit and apply to the organization maintaining your home mains.
- If smoke appears from the unit body, unplug the unit and take measures to prevent fire spreading.
- Use and store the coffee maker at the temperature above 0 °C.
- Do not use the coffee maker outdoors.
- It is not recommended to use the unit during lightning storms.
- Protect the unit from impacts, falling, vibrations and other mechanical stress.
- Never leave the plugged-in coffee maker unattended.
- To avoid fire, electric shock or physical injuries, do not immerse the power plug, the power cord or the coffee maker body into water or any other liquids.
- Do not use the coffee maker in proximity to the kitchen sink, in bathrooms, near swimming pools or other containers filled with water.
- If the unit is dropped into water, unplug it immediately, and only then you can take the unit out of water.
- Do not use the coffee maker near heating appliances, heat sources or open flame.
- Do not use the unit in places where aerosols are used or sprayed, and in proximity to inflammable liquids.
- Place the coffee maker on a flat stable surface; do not place it on the edge of a table. Do not let the power cord hang from the edge of the table and make sure it does not touch hot surfaces or sharp edges of furniture.
- Do not place the coffee maker on hot surfaces.
- Do not touch the power cord and the power plug with wet hands.
- Use only the coffee maker parts and accessories supplied with the unit.
- Before switching the coffee maker on, make sure that all removable parts are installed properly.
- Ensure that the water level in the water tank is not below the minimal mark.
- Do not switch the coffee maker on if the water tank is empty.
- Handle the glass coffee flask with care to avoid damaging it!
- Do not use the flask for other purposes, do not place it on electric and gas cookers and do not use the flask in microwave ovens.
- Use the coffee maker only with the coffee flask installed.
- Do not remove the flask from the warming tray during coffee making.
- Do not leave an empty flask on the warming tray, avoid sharp temperature difference. Otherwise the glass flask may crack.
- Do not put a hot glass flask on a cold surface.
- Do not use the coffee maker if the glass flask is damaged.
- To avoid burns, do not touch hot surfaces of the coffee maker during coffee making and right after switching it off. Let the coffee maker cool down.
- During the coffee making process, water passes through ground coffee under steam pressure, so do not bend over the coffee maker, do not open the water tank lid, do not remove the filter holder and the reusable filter.
- Let the unit cool down completely before cleaning and removing the accessories.
- Unplug the coffee maker before cleaning or when you are not using it. When unplugging the coffee maker hold only the power cord plug and carefully remove it from the mains socket, do not pull the power cord – this can lead to damage of the power cord or the socket or cause short circuit.
- For children safety reasons do not leave polyethylene bags, used as a packaging, unattended.

### ATTENTION!

Do not allow children to play with polyethylene bags or packaging film. **Danger of suffocation!**

- The coffee maker is not intended for usage by children.

- Do not leave children unattended to prevent using the unit as a toy.
- Do not allow children to touch the unit and the power cord during the coffee maker operation.
- Place the unit out of reach of children during the operation and cooling down.
- This unit is not intended for usage by physically or mentally disabled persons (including children) or by persons lacking experience or knowledge if they are not under supervision of a person who is responsible for their safety or if they are not instructed by this person on the usage of the unit.
- From time to time check the power cord and the power plug integrity.
- If the power cord is damaged, it should be replaced by the manufacturer, a maintenance service or similar qualified personnel to avoid danger.
- Do not repair the unit by yourself. Do not disassemble the unit by yourself, if any malfunction is detected, and after it was dropped, unplug the unit and apply to the service center.
- Transport the coffee maker in the original package.
- Keep the unit out of reach of children and disabled persons.

**COFFEE MAKER IS INTENDED FOR HOUSEHOLD USE ONLY, DO NOT USE THE COFFEE MAKER FOR COMMERCIAL OR LABORATORY PURPOSES.**

## BEFORE USING THE COFFEE MAKER

**After unit transportation or storage at low temperature, it is necessary to keep it for at least three hours at room temperature.**

- Unpack the coffee maker and remove all the packaging materials.
- Keep the original package.
- Check the delivery set.
- Read the safety measures and operating recommendations.
- Examine the coffee maker for damages, in case of damage do not plug it into the mains.
- Make sure that the specifications of power supply voltage specified on the lower panel of the unit correspond to the specifications of your mains. When the unit is used in the mains with 60 Hz frequency, it does not need any additional settings.
- Wipe the surface of the coffee maker body with a clean, slightly damp cloth to remove dust.
- Take the handle and turn the funnel to the left.
- Remove the filter holder (4) from the funnel, remove the reusable filter (5).
- Wash all removable parts in warm water with a neutral detergent: the coffee flask (1), the filter holder (4), the filter (5), rinse them and dry.
- Install the filter holder (4) into the funnel.
- Insert the filter (5) into the holder (4).

- Turn the funnel to the right until bumping.
- Fill about one half of the coffee flask (1) with pure water.
- Open the lid (6) and pour the water from the flask (1) to the water tank (7).
- Close the lid (6) and put the flask (1) on the tray (10).
- Insert the plug into the mains socket, the digital symbols "12:00" will appear on the display (16).
- Switch the coffee maker on by pressing the on/off button (19) «ON/OFF», the light indicator (18) will light up.
- After the water tank (7) becomes empty, switch the coffee maker off by pressing the on/off button (19) «ON/OFF» again, the light indicator (18) will go out.
- **Note:** if necessary, you can switch the coffee maker off at any moment by pressing the on/off button (19) «ON/OFF».
- Let the unit cool down for 5 minutes and pour the water out from the flask (1).
- If necessary, repeat the washing cycle of the coffee maker 2-3 times.

## MAKING COFFEE

- Ready coffee is made by single passing of hot water through the layer of ground coffee in the filter (5). The taste of the drink depends on the quality of raw products, therefore we recommend using well-roasted and fresh-ground coffee beans.

- Take the handle and turn the funnel to the left.
- Measure the required amount of ground coffee and put it into the filter (5). 6 grams of ground coffee per one coffee cup is required on average; adjust the quantity according to your taste.
- Turn the funnel to the right until bumping.
- Open the lid (6), fill the tank (7) with cold water up to the required level. Determine the water level using the scale (8).
- Close the lid (6).
- Put the flask (1) on the tray (10).
- Insert the plug into the mains socket, the digital symbols "12:00" will appear on the display (16).
- Switch the coffee maker on by pressing the on/off button (19) «ON/OFF», the light indicator (18) will light up.
- After the flask (1) is filled with ready coffee, switch the coffee maker off by pressing the on/off button (19) «ON/OFF» again, the light indicator (18) will go out.
- To keep the coffee hot, leave the flask (1) on the tray (10) and do not switch the coffee maker off.
- **Notes:**
  - during coffee making the buttons «PROG», «HOUR» and «MIN» are disabled.
  - the keep warm time for ready coffee is limited to 40 minutes, after that the coffee maker will switch off.

**ATTENTION!**

- When you don't need to keep the flask (1) warm, always switch the coffee maker off by pressing the on/off button (19) «ON/OFF».
- Water passes through ground coffee under steam pressure, so do not bend over the coffee maker, do not open the lid (6), do not turn the funnel and do not remove the filter holder (4) and the filter (5) during making coffee.
- Do not leave the empty coffee flask (1) on the flask warming tray (10), otherwise the glass may crack.

**COFFEE MAKER SWITCH-ON TIME SETTING FUNCTION**

- Take the handle and turn the funnel to the left.
- Measure the required amount of ground coffee and put it into the filter (5). 6 grams of ground coffee per one coffee cup is required on average; adjust the quantity according to your taste.
- Turn the funnel to the right until bumping.
- Open the lid (6), fill the tank (7) with cold water up to the required level. Determine the water level using the scale (8).
- Close the lid (6).
- Put the flask (1) on the tray (10).
- Insert the plug into the mains socket, the digital

symbols "12:00" will appear on the display (16).

- Set the current time. Set the time in «hours» by pressing the button (15) «HOUR». Set the time in «minutes» by pressing the button (17) «MIN». The current time will be shown with digital symbols on the display (16). Time format is 24 hours.
- Press the button (13) «PROG» once, the indicator (14) will be flashing. The flashing symbols «12:00» will appear on the display (16). Set the coffee maker switch on time with the buttons (15) «HOUR» and (17) «MIN», for example, «14:00». Press the button (13) «PROG» again, the indicator (14) will be glowing constantly. After some time the display (16) will show the current time.
- **Notes:**
  - to cancel the setting function press the button (13) «PROG», the indicator (14) will go out.
  - to change the switch on time repeat the coffee maker switch on time setting steps described above.
- The coffee maker will switch on at the preset time and the indicator (18) will light up.
- If you don't switch the coffee maker after making coffee by pressing the on/off button (19) «ON/OFF», it will switch off in 40 minutes.

**DESCALING**

- Clean the coffee maker from scale regularly.
- You can use «homemade descaling agent» - citric acid solution in proportion 100 portions of water per 3 portions of citric acid.
- Open the lid (6), fill the water tank (7) with the descaling agent up to the maximal mark on the water level scale (8).
- Make sure that the filter holder (4) and the filter (5) are installed to their places and there is no ground coffee in the filter (5).
- Put the flask (1) on the tray (10).
- Switch the coffee maker on by pressing the on/off button (19) «ON/OFF», the light indicator (18) will light up.
- Wait until liquid appears in the flask (1). Switch the coffee maker off by pressing the on/off button (19) «ON/OFF».
- Wait 15-20 minutes and switch the coffee maker on. Wait until there is no descaling agent in the water tank (7).
- Switch the coffee maker off and pour the liquid out of the flask (1).
- After descaling, wash the coffee maker thoroughly. To do this, pour pure water into the tank (7) and switch the unit on without adding ground coffee in the filter (5).
- Repeat the washing cycle several times.

- **Note:** to remove the scale you can use special descaling agents for coffee makers and coffee machines, strictly following the instructions on their usage.

**CLEANING AND CARE**

- Always switch the coffee maker off and unplug it before cleaning.
- Let the coffee maker cool down completely and clean the outer surfaces of the unit body (9) with a soft, slightly damp cloth, then wipe dry.
- Use soft detergents to remove dirt; do not use metal brushes, abrasive detergents and solvents.
- Wash the removable parts (1, 4, 5) with warm water and a neutral detergent, then rinse and dry, insert the filter (5) into the holder (4), install the filter holder (4) back to its place, turn the funnel to the operating position.
- Do not immerse the coffee maker, the power cord and the power plug into water or any other liquids.

**STORAGE**

- Before taking the coffee maker away for long storage, unplug it and let it cool down completely.
- Clean the coffee maker.
- Keep the coffee maker in a dry cool place out of reach of children and disabled persons.

**DELIVERY SET**

1. Coffee maker – 1 pc.
2. Instruction manual – 1 pc.

**TECHNICAL SPECIFICATIONS**

- Power supply: 220-240 V, ~ 50-60 Hz
- Rated input power: 1000 W
- Water tank capacity: 1,5 l

**RECYCLING**

For environment protection apply to the specialized centers for further recycling after the service life expiration of the unit.

The waste generated during the disposal of the unit is subject to mandatory collection and consequent disposal in the prescribed manner.

For further information about recycling of this product apply to a local municipal administration, a disposal service or to the shop where you purchased this product.

The manufacturer reserves the right to change the design, structure and specifications not affecting general principles of the unit operation, without prior notice.

**The unit operating life is 3 years**

The manufacturing date is specified in the serial number.

**In case of any malfunctions promptly apply to the authorized service center.**

## ESPRESSOKAFFEEMASCHINE BR1121

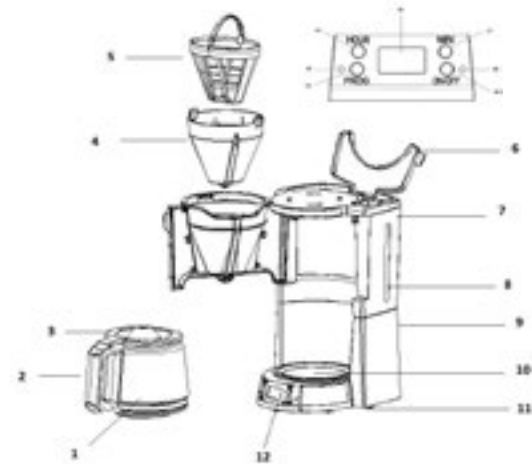
Die Kaffeemaschine ist zur Kaffeezubereitung bestimmt.

**BESCHREIBUNG**

1. Kolben für gekochten Kaffee
2. Kolbengriff
3. Kolbendeckel
4. Filterhalter
5. Wiederverwendbares Filter
6. Deckel des Wasserbehälters
7. Wasserbehälter
8. Wasserstandsskala
9. Kaffeemaschinengehäuse
10. Kolbenaufstell-/heizplatte
11. Stützfüße

**Bedienungsplatte**

12. Bedienungsplatte
13. Kaffeemaschineneinschaltzeitprogrammiertaste „PROG“
14. Programmierbetriebsanzeige
15. Stunden-Einstelltaste «*HO*UR»
16. Bildschirm
17. Minuten-Einstelltaste «*MIN*»
18. Kaffeemaschinenbetriebskontrolleuchte
19. Ein-/Ausschalttaste „*ON/OFF*“

**ACHTUNG!**

Als zusätzlicher Schutz ist es zweckmäßig, den FI-Schalter mit Nennstrom maximal bis 30 mA im Stromversorgungskreis aufzustellen; wenden Sie sich dafür an einen Spezialisten.

## SICHERHEITSHINWEISE UND BEDIENUNGSANLEITUNG FÜR DIE KAFFEEMASCHINE

**Bevor Sie die Kaffeemaschine benutzen, lesen Sie die Bedienungsanleitung aufmerksam durch und bewahren Sie sie zum späteren Gebrauch auf.**

- Benutzen Sie die Kaffeemaschine nur bestimmungsmäßig und laut dieser Bedienungsanleitung.
- Der Missbrauch der Kaffeemaschine kann zu ihrer Störung führen, den Benutzer oder sein Eigentum beschädigen und ist kein Garantiefall.
- Die Kaffeemaschine ist zum Zubereiten von Espresso und Cappuccino, zum Aufheizen von Fertiggetränken und zu keinem Erhitzen anderer Flüssigkeiten bestimmt.
- Vergewissern Sie sich, dass die auf dem Bezeichnungszettel angegebene Betriebsspannung der Kaffeemaschine und die Netzspannung übereinstimmen.
- Der Netzstecker hat einen Erdungskontakt; stecken Sie ihn nur in eine Steckdose
- mit dem zuverlässigen Erdungskontakt. Bei einem Kurzschluss verringert die Erdung das Stromschlagrisiko.
- Wenden Sie sich an einen Elektriker, wenn Sie sich nicht sicher sind, ob Ihre Steckdosen richtig installiert und geerdet sind.
- Verwenden Sie keine Adapterstecker, die zum Anschließen des Netzsteckers an eine Steckdose ohne Erdungskontakt bestimmt sind, um das Brandrisiko

zu vermeiden.

- Bei Brandgeruch und Funken in der Steckdose ziehen Sie den Netzstecker aus der Steckdose heraus und wenden Sie sich an den Ihr Hausstromnetz leistenden Dienst.
- Wenn Rauch aus dem Gerätegehäuse austritt, ziehen Sie das Netzkabel aus der Steckdose heraus und treffen Sie die Feuerverhinderungsmaßnahmen.
- Benutzen und lagern Sie die Kaffeemaschine bei einer Temperatur über 0°C.
- Es ist nicht gestattet, die Kaffeemaschine draußen zu benutzen.
- Es ist nicht empfohlen, das Gerät bei Gewitter zu benutzen.
- Schützen Sie das Gerät vor Stößen, Stürzen, Vibrationen und anderen mechanischen Einwirkungen.
- Lassen Sie die ans Stromnetz angeschlossene Kaffeemaschine nie unbeaufsichtigt.
- Um Brand, Stromschlag oder Verletzungen zu vermeiden, tauchen Sie den Netzstecker, das Netzkabel oder das Gehäuse der Kaffeemaschine ins Wasser oder jegliche andere Flüssigkeiten nicht ein.
- Benutzen Sie die Kaffeemaschine in der Nähe von Spülbecken, in Badezimmern und neben den Wasserbecken oder anderen mit Wasser gefüllten Behältern nicht.
- Falls das Gerät ins Wasser gefallen ist, ziehen Sie den Netzstecker aus der Steckdose sofort heraus, erst danach holen Sie das Gerät aus dem Wasser heraus.

- Benutzen Sie die Kaffeemaschine in direkter Nähe von Heizgeräten, Wärmequellen oder offenem Feuer nicht.
- Es ist verboten, das Gerät an den Orten, wo Sprays verwendet werden, sowie in der Nähe von leichtentzündbaren Flüssigkeiten, zu benutzen.
- Stellen Sie die Kaffeemaschine auf eine ebene standfeste Oberfläche auf, stellen Sie sie an den Tischrand nicht auf. Achten Sie darauf, dass das Netzkabel vom Tisch nicht herabhängt und heiße Oberflächen und scharfe Möbelkanten nicht berührt.
- Es ist nicht gestattet, die Kaffeemaschine auf heiße Oberflächen zu stellen.
- Berühren Sie das Netzkabel und den Netzstecker mit nassen Händen nicht.
- Benutzen Sie nur die mitgelieferten Kaffeemaschinenteile und -zubehör.
- Vergewissern Sie sich vor der Einschaltung der Kaffeemaschine, dass alle abnehmbaren Teile korrekt aufgestellt sind.
- Achten Sie darauf, dass der Wasserstand im Behälter nicht unter der Minimalmarke liegt.
- Schalten Sie die Kaffeemaschine ohne Wasser nicht ein.
- Behandeln Sie den Glaskolben vorsichtig, um ihn nicht zu beschädigen!
- Benutzen Sie den Kolben zu keinen anderen Zwecken, stellen Sie diesen auf Elektro- und Gasherde

nicht auf, benutzen Sie den Kolben in den Mikrowellenöfen nicht.

- Benutzen Sie die Kaffeemaschine nur mit dem aufgestellten Kaffeekolben.
- Nehmen Sie den Kolben von der Heizplatte während der Kaffeezubereitung nicht ab.
- Lassen Sie keinen leeren Kolben auf der Heizplatte, lassen Sie keine starken Temperaturschwankungen zu, da sonst das Kolbenglas bersten kann.
- Stellen Sie keinen heißen Glaskolben auf eine kalte Oberfläche.
- Benutzen Sie die Kaffeemaschine nicht, wenn der Glaskolben beschädigt ist.
- Um Verbrennung zu vermeiden, berühren Sie heiße Oberflächen der Kaffeemaschine während der Kaffeezubereitung und gleich nach ihrer Ausschaltung nicht. Lassen Sie die Kaffeemaschine abkühlen.
- Während der Kaffeezubereitung fließt das Wasser durch den gemahlene Kaffee unter Dampfdruck durch, deshalb ist es verboten, sich über der Kaffeemaschine zu beugen, den Behältersdeckel aufzumachen und das wiederverwendbare Filter herauszunehmen.
- Lassen Sie das Gerät vollständig abkühlen, bevor Sie das Zubehör entfernen und reinigen.
- Trennen Sie die Kaffeemaschine vor der Reinigung oder wenn Sie sie nicht benutzen vom Stromnetz ab. Wenn Sie die Kaffeemaschine vom Stromnetz abtrennen, halten Sie nur den Netzstecker fest und

- ziehen Sie ihn aus der Steckdose vorsichtig heraus; ziehen Sie das Netzkabel nicht, da es zu seiner Beschädigung und Steckdosenstörung sowie einem Kurzschluss führen kann.
- Aus Kindersicherheitsgründen lassen Sie Plastiktüten, die als Verpackung verwendet werden, nie ohne Aufsicht.

#### ACHTUNG!

Lassen Sie Kinder mit Plastiktüten oder Verpackungsfolien nicht spielen. **Erstickungsgefahr!**

- Die Kaffeemaschine ist nicht für Kinder bestimmt.
- Beaufsichtigen Sie Kinder, damit sie das Gerät als Spielzeug nicht benutzen.
- Lassen Sie Kinder das Gerät und das Netzkabel während des Kaffeemaschinenbetriebs nicht berühren.
- Während des Betriebs und des Abkühlens stellen Sie das Gerät an einen für Kinder unzugänglichen Ort auf.
- Dieses Gerät ist für Personen (darunter Kinder) mit Körper-, Nerven- und Geistesstörungen oder Personen ohne ausreichende Erfahrung und Kenntnisse nicht geeignet, wenn sie sich unter Aufsicht der Person, die für ihre Sicherheit verantwortlich ist, nicht befinden oder entsprechende Anweisungen über die Nutzung des Geräts nicht bekommen haben.
- Überprüfen Sie regelmäßig den Zustand des Netzkabels und des Netzsteckers.

- Wenn das Netzkabel beschädigt ist, soll es vom Hersteller, vom Kundendienst oder von ähnlich qualifiziertem Personal ersetzt werden, um Gefahren zu vermeiden.
- Es ist nicht gestattet, das Gerät selbständig zu reparieren. Es ist nicht gestattet, das Gerät selbständig auseinanderzunehmen; bei der Feststellung jeglicher Beschädigungen, sowie im Sturzfall, trennen Sie das Gerät vom Stromnetz ab und wenden Sie sich an einen Kundendienst.
- Transportieren Sie die Kaffeemaschine nur in der Fabrikverpackung.
- Bewahren Sie das Gerät an einem für Kinder und behinderte Personen unzugänglichen Ort auf.

**DIE KAFFEEMASCHINE IST NUR FÜR DEN GEBRAUCH IM HAUSHALT GEEIGNET, ES IST VERBOTTEN, SIE ZU INDUSTRIE- ODER LABORZWECKEN ZU BENUTZEN.**

#### VORBEREITUNG DER KAFFEEMASCHINE ZUR INBETRIEBNAHME

**Nachdem Sie das Gerät bei niedriger Temperatur transportiert oder gelagert haben, müssen Sie es mindestens drei Stunden bei Raumtemperatur aufbewahren.**

- Packen Sie die Kaffeemaschine aus und entfernen Sie alle Verpackungsmaterialien.

- Bewahren Sie die Originalverpackung auf.
- Prüfen Sie die Komplettheit.
- Lesen Sie die Sicherheitsmaßnahmen und Bedienungsempfehlungen.
- Prüfen Sie die Kaffeemaschine auf Beschädigungen; wenn sie beschädigt ist, schließen Sie sie ans Stromnetz nicht an.
- Vergewissern Sie sich, dass die Stromversorgungsparameter auf der Geräteunterplatte und die Netzstromparameter übereinstimmen. Beim 60-Hz-Stromnetz-Gerätebetrieb sind keine zusätzlichen Maßnahmen erforderlich.
- Wischen Sie das Kaffeemaschinengehäuse mit einem sauberen, leicht angefeuchteten Tuch zur Staubentfernung ab.
- Fassen Sie den Griff an und drehen Sie den Trichter nach links.
- Nehmen Sie den Filterhalter (4) aus dem Trichter heraus, entfernen Sie das wiederverwendbare Filter (5).
- Waschen Sie alle abnehmbaren Teile mit Warmwasser und einem neutralen Waschmittel: den Kaffeekolben (1), den Filterhalter (4), das Filter (5), spülen und trocknen Sie sie ab.
- Setzen Sie den Filterhalter (4) in den Trichter ein.
- Setzen Sie das Filter (5) in den Halter (4) ein.
- Drehen Sie den Trichter nach rechts bis zum Anschlag um.
- Füllen Sie den Kaffeekolben (1) mit sauberem Wasser ca. zur Hälfte an.

- Machen Sie den Deckel (6) auf und gießen Sie Wasser aus dem Kolben (1) in den Behälter (7) um.
- Machen Sie den Deckel (6) zu und stellen Sie den Kolben (1) auf die Platte (10) auf.
- Stecken Sie den Netzstecker in die Steckdose ein, die Zahlensymbole „12:00“ werden auf dem Bildschirm (16) angezeigt.
- Schalten Sie die Kaffeemaschine ein, indem Sie die Ein-/Ausschalttaste (19) „ON/OFF“ drücken, dabei leuchtet die Kontrolleuchte (18).
- Wenn sich kein Wasser mehr im Behälter (7) befindet, schalten Sie die Kaffeemaschine durch erneutes Drücken der „ON/OFF“-Taste (19) aus, dabei erlischt die Kontrolleuchte (18).
- Anmerkung:** bei Bedarf können Sie die Kaffeemaschine jederzeit durch das Drücken der „ON/OFF“-Taste (19) ausschalten.
- Lassen Sie das Gerät 5 Minuten lang abkühlen und gießen Sie Wasser aus dem Kolben (1) aus.
- Bei Bedarf wiederholen Sie den Spülzyklus der Kaffeemaschine 2-3 Mal.

#### KAFFEEZUBEREITUNG

- Kaffee wird durch einmaliges Durchgehen des Heißwassers durch die Schicht gemahlener Kaffees im Filter (5) zubereitet. Der Geschmack des fertigen Getränks hängt von der Qualität des Ausgangsprodukts ab, deshalb ist es empfohlen, gut durchgebratene und frischgemahlene Kaffeebohnen zu benutzen.



- Fassen Sie den Griff an und drehen Sie den Trichter nach links.
- Messen Sie die notwendige Menge gemahlene Kaffees ab und schütten Sie ihn ins Filter (5) ein. Im Durchschnitt ist für eine Kaffeetasse 6 Gramm gemahlener Kaffee erforderlich, genaue Menge wählen Sie nach Ihrem Geschmack.
- Drehen Sie den Trichter nach rechts bis zum Anschlag um.
- Machen Sie den Deckel (6) auf und füllen Sie den Behälter (7) mit Kaltwasser bis zum erforderlichen Stand an. Stellen Sie den Wasserstand mit der Skala (8) fest.
- Machen Sie den Deckel (6) zu.
- Stellen Sie den Kolben (1) auf die Platte (10) auf.
- Stecken Sie den Netzstecker in die Steckdose ein, die Zahlensymbole „12:00“ werden auf dem Bildschirm (16) angezeigt.
- Schalten Sie die Kaffeemaschine ein, indem Sie die Ein-/Ausschalttaste (19) „ON/OFF“ drücken, dabei leuchtet die Kontrollleuchte (18).
- Nachdem der Kolben (1) mit Kaffee gefüllt ist, schalten Sie die Kaffeemaschine durch erneutes Drücken der „ON/OFF“-Taste (19) aus, dabei erlischt die Kontrollleuchte (18).
- Damit der Kaffee heiß bleibt, lassen Sie den Kolben (1) auf der Platte (10) stehen und schalten Sie die Kaffeemaschine nicht aus.

#### • **Anmerkungen:**

- während der Kaffeezubereitung sind die Tasten „PROG“, „HOUR“ und „MIN“ inaktiv.
- die Kaffeezubereitungszeit ist auf 40 Minuten begrenzt, danach schaltet sich die Kaffeemaschine aus.

#### **ACHTUNG!**

- Wenn der Kolben (1) nicht aufgeheizt werden muss, schalten Sie die Kaffeemaschine mit der „ON/OFF“-Taste (19) unbedingt aus.
- Das Wasser fließt durch den gemahlene Kaffee unter Dampfdruck durch, deshalb ist es verboten, sich während der Zubereitung über der Kaffeemaschine zu beugen, den Deckel (6) aufzumachen und den Filterhalter (4) und das Filter (5) herauszuziehen.
- Es ist verboten, einen leeren Kaffeekolben (1) auf der Kolbenheizplatte (10) zu lassen, da sonst das Kolbenglas bersten kann.

#### **KAFFEEMASCHINENEINSCHALTZEITPROGRAMMIERFUNKTION**

- Fassen Sie den Griff an und drehen Sie den Trichter nach links.
- Messen Sie die notwendige Menge gemahlene Kaffees ab und schütten Sie ihn ins Filter (5) ein. Im Durchschnitt ist für eine Kaffeetasse 6 Gramm ge-

mahlener Kaffee erforderlich, genaue Menge wählen Sie nach Ihrem Geschmack.

- Drehen Sie den Trichter nach rechts bis zum Anschlag um.
- Machen Sie den Deckel (6) auf und füllen Sie den Behälter (7) mit Kaltwasser bis zum erforderlichen Stand an. Stellen Sie den Wasserstand mit der Skala (8) fest.
- Machen Sie den Deckel (6) zu.
- Stellen Sie den Kolben (1) auf die Platte (10) auf.
- Stecken Sie den Netzstecker in die Steckdose ein, die Zahlensymbole „12:00“ werden auf dem Bildschirm (16) angezeigt.
- Stellen Sie die aktuelle Zeit ein. Stellen Sie die Stunden-Zeit mit der „HOUR“-Taste (15) ein. Stellen Sie die Minuten-Zeit mit der „MIN“-Taste (17) ein. Die aktuelle Zeit wird mit den Zahlensymbolen auf dem Bildschirm (16) angezeigt. Das Zeitformat ist 24 Stunden.
- Drücken Sie die „PROG“-Taste (13) einmal, die Anzeige (14) wird blinken, die blinkenden Symbole „12:00“ erscheinen auf dem Bildschirm (16). Stellen Sie die Kaffeemaschineneinschaltzeit mit den Tasten (15) «HOUR» (17) und «MIN», z. B. „14:00“, ein, drücken Sie die „PROG“-Taste (13) nochmals, die Anzeige (14) wird konstant leuchten, die aktuelle Zeit wird auf dem Bildschirm (16) nach einiger Zeit angezeigt.

#### • **Anmerkungen:**

- um die Programmierfunktion abzubrechen, drücken Sie die „PROG“-Taste (13), die Anzeige (14) erlischt.
- um die Einschaltzeit zu ändern, wiederholen Sie die oben beschriebenen Schritte zum Einstellen der Kaffeemaschineneinschaltzeit.
- Zur eingestellten Zeit schaltet sich die Kaffeemaschine ein, und die Anzeige (18) leuchtet.
- Wenn Sie die Kaffeemaschine nach der Kaffeezubereitung mit der „ON/OFF“-Taste (19) nicht ausschalten, wird sie nach 40 Minuten ausgeschaltet.

#### **KALKENTFERNUNG**

- Reinigen Sie die Kaffeemaschine vom Kalk regelmäßig.
- Sie können ein „hausgemachtes Entkalkungsmittel“ verwenden - eine Lösung von Zitronensäure in einem Verhältnis von einhundert Teilen Wasser zu drei Teilen Zitronensäure.
- Machen Sie den Deckel (6) auf, füllen Sie den Behälter (7) mit Entkalkungsmittel bis zum Maximalstand an der Wasserstandsskala (8).
- Vergewissern Sie sich, dass der Filterhalter (4) und das Filter (5) zurück aufgestellt sind und sich kein gemahlener Kaffee im Filter (5) befindet.
- Stellen Sie den Kolben (1) auf die Platte (10) auf.

- Schalten Sie die Kaffeemaschine ein, indem Sie die Ein-/Ausschalttaste (19) „ON/OFF“ drücken, dabei leuchtet die Kontrolleuchte (18).
- Warten Sie ab, bis Flüssigkeit im Kolben (1) erscheint. Schalten Sie die Kaffeemaschine mit der „ON/OFF“-Taste (19) aus.
- Warten Sie 15-20 Minuten ab und schalten Sie die Kaffeemaschine ein. Warten Sie ab, bis das Reinigungsmittel im Behälter (7) aufgebraucht ist.
- Schalten Sie die Kaffeemaschine aus und gießen Sie die Flüssigkeit aus dem Kolben (1) ab.
- Spülen Sie die Kaffeemaschine nach dem Entkalken gründlich durch. Gießen Sie dafür sauberes Wasser in den Behälter (7) ein und schalten Sie das Gerät ein, ohne Kaffee ins Filter (5) einzuschütten.
- Wiederholen Sie den Spülgang der Kaffeemaschine mehrmals.
- **Anmerkung:** - Zur Entkalkung können Sie unter Beachtung der Bedienungsanleitungen spezielle Entkalkungsmittel für Kaffeekocher und -maschinen verwenden.

## REINIGUNG UND PFLEGE

- Vor dem Reinigen schalten Sie die Kaffeemaschine immer aus und ziehen Sie den Netzstecker aus der Steckdose heraus.
- Lassen Sie die Kaffeemaschine vollständig abkühlen und wischen Sie die Außenoberflächen des Gehä-

ses (9) mit einem weichen, leicht angefeuchteten Tuch, danach trocknen Sie sie ab.

- Für Entfernung von Verschmutzungen benutzen Sie weiche Reinigungsmittel, aber keine Metallbürsten, Abrasiv- und Lösungsmittel.
- Waschen Sie die abnehmbaren Teile (1, 4, 5) mit Warmwasser und einem neutralen Reinigungsmittel ab, spülen und trocknen Sie sie, setzen Sie das Filter (5) in den Halter (4) ein, stellen Sie den Filterhalter (4) zurück auf und drehen Sie den Trichter in die Betriebsposition um.
- Es ist nicht gestattet, die Kaffeemaschine, das Netzkabel und den Netzstecker ins Wasser oder jegliche andere Flüssigkeiten einzutauchen.

## AUFBEWAHRUNG

- Bevor Sie die Kaffeemaschine zur langen Aufbewahrung wegnehmen, trennen Sie sie vom Stromnetz ab und lassen Sie sie abkühlen.
- Reinigen Sie die Kaffeemaschine.
- Bewahren Sie die Kaffeemaschine an einem trockenen, kühlen und für Kinder und behinderte Personen unzugänglichen Ort auf.

## LIEFERUMFANG

1. Kaffeemaschine – 1 St.
2. Bedienungsanleitung – 1 St.

## TECHNISCHE EIGENSCHAFTEN

- Stromversorgung: 220-240 V, ~ 50-60 Hz
- Nennleistungsaufnahme: 1000 W
- Fassungsvermögen des Wasserbehälters: 1,5 l

## ENTSORGUNG



Zwecks Umweltschutzes geben Sie das Gerät nach Beendigung dessen Nutzungsdauer in einen Spezialpunkt für weitere Entsorgung über.

Die bei der Entsorgung der Erzeugnisse entstehenden Abfälle sind unbedingt zu sammeln und weiter ordnungsmäßig zu entsorgen.

Mehrere Information zur Entsorgung dieses Produkts erhalten Sie bei Ihrer lokalen Stadtverwaltung, einem Abfallentsorgungsdienst oder beim Geschäft, wo Sie dieses Produkt gekauft haben.

Der Hersteller behält sich das Recht vor, das Design, die Konstruktion und die das gemeine Gerätebetriebsprinzip nicht beeinflussenden technischen Eigenschaften ohne Vorbenachrichtigung zu verändern.

**Die Gerätenutzungsdauer beträgt 3 Jahre**

**Das Herstellungsdatum ist in der Fabrikationsnummer angegeben.**

**Bei Störungsfeststellung wenden Sie sich baldigst an einen autorisierten Kundendienst.**

## КОФЕВАРКА BR1121

Кофеварка предназначена для приготовления кофе.

### ОПИСАНИЕ

1. Колба для готового кофе
2. Ручка колбы
3. Крышка колбы
4. Держатель фильтра
5. Многоцветный фильтр
6. Крышка резервуара для воды
7. Резервуар для воды
8. Шкала уровня воды
9. Корпус кофеварки
10. Площадка для установки колбы/подогрева колбы
11. Опорные ножки

### Панель управления

12. Панель управления
13. Кнопка программирования времени включения кофеварки «PROG»
14. Индикатор работы режима программирования
15. Кнопка установки времени «часы» «HOUR»
16. Дисплей
17. Кнопка установки времени «минуты» «MIN»
18. Индикатор включения кофеварки
19. Кнопка включения/выключения «ON/OFF»



### ВНИМАНИЕ!

Для дополнительной защиты в цепи питания целесообразно установить устройство защитного отключения (УЗО) с номинальным током срабатывания, не превышающим 30 мА, для установки УЗО обратитесь к специалисту.

## МЕРЫ БЕЗОПАСНОСТИ И РЕКОМЕНДАЦИИ ПО ЭКСПЛУАТАЦИИ КОФЕВАРКИ

Перед использованием кофеварки внимательно ознакомьтесь с руководством по эксплуатации, и сохраните его для использования в будущем.

- Используйте кофеварку только по её прямому назначению, как изложено в данной инструкции.
- Неправильное обращение с кофеваркой может привести к её поломке, причинению вреда пользователю или его имуществу и не является гарантийным случаем.
- Кофеварка предназначена для приготовления кофе.
- Убедитесь, что рабочее напряжение кофеварки, указанное на этикетке, соответствует напряжению электросети.
- Вилка шнура питания имеет контакт заземления, вставляйте её в электрическую розетку, имеющую надёжный контакт заземления. При коротком замыкании, заземление снижает риск поражения электрическим током.
- Обратитесь к специалисту-электрику, если вы не уверены в том, что ваши розетки правильно установлены и заземлены.
- Во избежание возникновения пожара запрещается использовать «переходники», предназначенные для подключения вилки шнура питания к электрической розетке, не имеющей контакта заземления.

- При искрении в электрической розетке и присутствии запаха гари, выньте вилку шнура питания из розетки и обратитесь в организацию, обслуживающую вашу домашнюю электрическую сеть.
- При появлении дыма из корпуса устройства, выньте вилку шнура питания из электрической розетки и примите меры к нераспространению огня.
- Запрещается использовать кофеварку вне помещений.
- Не рекомендуется использовать устройство во время грозы.
- Оберегайте устройство от ударов, падений, вибраций и иных механических воздействий.
- Не оставляйте кофеварку, включённый в сеть, без присмотра.
- Во избежание пожара, удара электрическим током или физических повреждений не погружайте вилку шнура питания, шнур питания или корпус кофеварки в воду или любые другие жидкости.
- Не используйте кофеварку вблизи от кухонной раковины, в ваннных комнатах, около бассейнов или других ёмкостей, наполненных водой.
- Если устройство упало в воду, немедленно выньте вилку шнура питания из розетки и только после этого доставайте устройство из воды.
- Не используйте кофеварку в непосредственной близости от нагревательных приборов, источников тепла или открытого пламени.

- Запрещается использовать устройство в местах, где используются или распыляются аэрозоли, а также вблизи от легковоспламеняющихся жидкостей.
- Устанавливайте кофеварку на ровную и устойчивую поверхность, не ставьте её на край стола. Не допускайте, чтобы шнур питания свешивался со стола, а также следите, чтобы он не касался горячих поверхностей и острых кромок мебели.
- Не ставьте кофеварку на горячие поверхности.
- Запрещается прикасаться к шнуру питания и вилке шнура питания, мокрыми руками.
- Используйте только детали кофеварки и принадлежности, входящие в комплект поставки.
- Перед включением кофеварки убедитесь, что все съёмные детали установлены правильно.
- Следите, чтобы уровень воды в резервуаре был не ниже минимальной отметки.
- Не включайте кофеварку без воды.
- Осторожно обращайтесь со стеклянной колбой для кофе, во избежание её повреждения!
- Не используйте колбу для иных целей, не ставьте её на электрические и газовые плиты, не используйте колбу в микроволновых печах.
- Используйте кофеварку только с установленной колбой для кофе.
- Не снимайте колбу с площадки для подогрева в процессе приготовления кофе.

- Не оставляйте пустую колбу на площадку для подогрева, не допускайте резких температурных перепадов, в противном случае стекло колбы может треснуть.
- Не ставьте горячую стеклянную колбу на холодную поверхность.
- Не используйте кофеварку, если стеклянная колба повреждена.
- Во избежание ожога не дотрагивайтесь до горячих поверхностей кофеварки в процессе приготовления кофе и сразу после её выключения. Дайте кофеварке остыть.
- Во время приготовления кофе вода под давлением пара проходит через молотый кофе, поэтому запрещается наклоняться над кофеваркой, открывать крышку резервуара, вынимать держатель фильтра и многоразовый фильтр.
- Дайте устройству полностью остыть перед чисткой и снятием принадлежностей.
- Отключайте кофеварку от электрической сети перед чисткой или в том случае, если вы ей не пользуетесь. При отключении кофеварки от электрической сети держитесь только за вилку шнура питания и аккуратно выньте её из электрической розетки, не тяните за шнур питания — это может привести к повреждению шнура питания, электрической розетки или вызвать короткое замыкание.

- Из соображений безопасности детей не оставляйте полиэтиленовые пакеты, используемые в качестве упаковки, без присмотра.

#### **ВНИМАНИЕ!**

Не разрешайте детям играть с полиэтиленовыми пакетами или упаковочной плёнкой. **Опасность удушья!**

- Кофеварка не предназначена для использования детьми.
- Осуществляйте надзор за детьми, чтобы не допустить использования прибора в качестве игрушки.
- Не разрешайте детям прикасаться к устройству и к шнуру питания во время работы кофеварки.
- Во время работы и остывания размещайте устройство в местах, недоступных для детей.
- Данное устройство не предназначено для использования лицами (включая детей) с пониженными физическими, психическими или умственными способностями, или при отсутствии у них опыта или знаний, если они не находятся под контролем или не проинструктированы об использовании прибора лицом, ответственным за их безопасность.
- Периодически проверяйте состояние шнура питания и вилки шнура питания.
- При повреждении шнура питания его замену во избежание опасности должны производить

изготовитель, сервисная служба или подобный квалифицированный персонал.

- Запрещается самостоятельно ремонтировать прибор. Не разбирайте прибор самостоятельно, при возникновении любых неисправностей, а также после падения устройства выключите прибор из электрической розетки и обратитесь в сервисный центр.
- Перевозите кофеварку в заводской упаковке.
- Храните устройство в местах, недоступных для детей и людей с ограниченными возможностями.

**КОФЕВАРКА ПРЕДНАЗНАЧЕНА ТОЛЬКО ДЛЯ БЫТОВОГО ИСПОЛЬЗОВАНИЯ, ЗАПРЕЩАЕТСЯ ИСПОЛЬЗОВАТЬ КОФЕВАРКУ В КОМЕРЧЕСКИХ ИЛИ ЛАБОРАТОРНЫХ ЦЕЛЯХ.**

#### **ПОДГОТОВКА КОФЕВАРКИ К РАБОТЕ**

**После транспортировки или хранения устройства при пониженной температуре необходимо выдержать его при комнатной температуре не менее трёх часов.**

- Распакуйте кофеварку и удалите все упаковочные материалы.
- Сохраните заводскую упаковку.
- Проверьте комплектацию.
- Ознакомьтесь с мерами безопасности и рекомендациями по эксплуатации.

- Осмотрите кофеварку на наличие повреждений при наличии повреждений не включайте её в электрическую розетку.
- Убедитесь, что параметры напряжения питания, указанные на нижней панели изделия, соответствуют параметрам электрической сети. При использовании устройства в электрической сети частотой 60 Гц, никаких дополнительных действий не требуется.
- Протрите поверхность корпуса кофеварки чистой, слегка влажной тканью для удаления пыли.
- Возьмитесь за ручку и поверните воронку в левую сторону.
- Выньте из воронки держатель фильтра (4), выньте многоразовый фильтр (5).
- Промойте тёплой водой с нейтральным моющим средством все съёмные детали: колбу для кофе (1), держатель фильтра (4), фильтр (5), ополосните их и просушите.
- Установите держатель фильтра (4) в воронку.
- Вставьте фильтр (5) в держатель (4).
- Поверните воронку вправо до упора.
- Наполните колбу для кофе (1) чистой водой приблизительно наполовину.
- Откройте крышку (6) и вылейте воду из колбы (1) в резервуар (7).
- Закройте крышку (6) и установите колбу (1) на площадку (10).

- Вставьте вилку шнура питания в электрическую розетку на дисплее (16) отобразятся цифровые символы «12:00».
- Включите кофеварку, нажав на кнопку включения/выключения (19) «ON/OFF», при этом загорится световой индикатор (18).
- После того как в резервуаре (7) не останется воды, выключите кофеварку, повторно нажав на кнопку включения/выключения (19) «ON/OFF», при этом световой индикатор (18) погаснет.
- **Примечание:** при необходимости Вы можете в любое время выключить кофеварку, нажав на кнопку включения/выключения (19) «ON/OFF».
- Дайте устройству остыть в течение 5 минут и вылейте воду из колбы (1).
- При необходимости повторите цикл промывки кофеварки 2-3 раза.

### ПРИГОТОВЛЕНИЕ КОФЕ

- Готовый кофе получается в процессе однократного прохождения горячей воды через слой молотого кофе в фильтре (5). Вкус готового напитка зависит от качества исходного продукта, поэтому рекомендуется использовать хорошо прожаренные и свежемолотые зёрна кофе.
- Возьмитесь за ручку и поверните воронку в левую сторону.

- Отмерьте необходимое количество молотого кофе и засыпьте его в фильтр (5). В среднем на одну чашку кофе требуется 6 грамм молотого кофе, точное количество подбирайте по вкусу.
- Поверните воронку вправо до упора.
- Откройте крышку (6), наполните резервуар (7) холодной водой до требуемого уровня. Уровень воды определите с помощью шкалы (8).
- Закройте крышку (6).
- Установите колбу (1) на площадку (10).
- Вставьте вилку шнура питания в электрическую розетку на дисплее (16) отобразятся цифровые символы «12:00».
- Включите кофеварку, нажав на кнопку включения/выключения (19) «ON/OFF», при этом загорится световой индикатор (18).
- После того как колба (1) наполнится готовым кофе, выключите кофеварку, повторно нажав на кнопку включения/выключения (19) «ON/OFF», при этом световой индикатор (18) погаснет.
- Чтобы кофе оставался горячим, оставьте колбу (1) на площадке (10) и не выключайте кофеварку.
- **Примечания:**
  - во время приготовления кофе, кнопки «PROG», «HOUR» и «MIN» не активны.
  - время подогрева готового кофе ограничено 40 минутами, после этого кофеварка выключится.

### ВНИМАНИЕ!

- Когда отпадёт необходимость в подогреве колбы (1), обязательно выключите кофеварку, нажав на кнопку включения/выключения (19) «ON/OFF».
- Вода под давлением пара проходит через молотый кофе, поэтому во время приготовления кофе запрещается наклоняться над кофеваркой, открывать крышку (6), поворачивать воронку, вынимать держатель фильтра (4) и фильтр (5).
- Запрещается оставлять пустую колбу для кофе (1) на площадке для подогрева колбы (10), в противном случае стекло колбы может треснуть.

### ФУНКЦИЯ ПРОГРАММИРОВАНИЯ ВРЕМЕНИ ВКЛЮЧЕНИЯ КОФЕВАРКИ

- Возьмитесь за ручку и поверните воронку в левую сторону.
- Отмерьте необходимое количество молотого кофе и засыпьте его в фильтр (5). В среднем на одну чашку кофе требуется 6 грамм молотого кофе, точное количество подбирайте по вкусу.
- Поверните воронку вправо до упора.

- Откройте крышку (6), наполните резервуар (7) холодной водой до требуемого уровня. Уровень воды определите с помощью шкалы (8).
- Закройте крышку (6).
- Установите колбу (1) на площадку (10).
- Вставьте вилку шнура питания в электрическую розетку на дисплее (16) отобразятся цифровые символы «12:00».
- Установите текущее время. Нажатиями кнопки (15) «HOUR», установите время «часы». Нажатиями кнопки (17) «MIN», установите время «минуты». Текущее время отобразится цифровыми символами на дисплее (16). Формат времени 24 часа.
- Нажмите кнопку (13) «PROG» один раз, индикатор (14) будет мигать, на дисплее (16) отобразятся мигающие символы «12:00». Кнопками (15) «HOUR» (17) «MIN» установите время включения кофеварки, например, «14:00», повторно нажмите кнопку (13) «PROG», индикатор (14) будет светиться постоянно, через некоторое время дисплее (16) отобразится текущее время.
- **Примечания:**
  - для отмены функции программирования, нажмите кнопку (13) «PROG», индикатор (14) погаснет.
  - для изменения времени включения, повторите пункты установки времени включения кофеварки, описанные выше.

- В установленное время, кофеварка включится и загорится индикатор (18).
- Если после приготовления кофе, Вы не выключите кофеварку нажатием кнопки включения/выключения (19) «ON/OFF», то она выключится через 40 минут.

### УДАЛЕНИЕ НАКИПИ

- Регулярно очищайте кофеварку от накипи.
- Можно использовать «домашнее средство для удаления накипи» - это раствор лимонной кислоты в соотношении на сто частей воды три части лимонной кислоты.
- Откройте крышку (6), наполните резервуар (7) средством для удаления накипи до максимального уровня, на шкале уровня воды (8).
- Убедитесь, что держатель фильтра (4) и фильтр (5) установлены на место, и что в фильтре (5) нет молотого кофе.
- Установите колбу (1) на площадку (10).
- Включите кофеварку, нажав на кнопку включения/выключения (19) «ON/OFF», при этом загорится световой индикатор (18).
- Дождитесь появления жидкости в колбе (1). Выключите кофеварку, нажав на кнопку включения/выключения (19) «ON/OFF».
- Подождите 15-20 минут и включите кофеварку, дождитесь пока в резервуаре (7) не закончится средство для очистки.

- Выключите кофеварку, слейте жидкость из колбы (1).
- После удаления накипи тщательно промойте кофеварку. Для этого залейте в резервуар (7) чистую воду и включите устройство, не засыпая в фильтр (5) молотый кофе.
- Повторите цикл промывки кофеварки несколько раз.
- **Примечание:** для удаления накипи можно использовать специальные средства для удаления накипи в кофеварках и кофе машинах, строго соблюдая инструкции по их использованию.

### ЧИСТКА И УХОД

- Перед чисткой всегда выключайте кофеварку и вынимайте вилку шнура питания из сетевой розетки.
- Дайте кофеварке полностью остыть и протрите внешние поверхности корпуса (9) мягкой слегка влажной тканью, затем вытрите насухо.
- Для удаления загрязнений используйте мягкие чистящие средства, не используйте металлические щётки, абразивные чистящие средства и растворители.
- Съёмные детали (1, 4, 5) промойте тёплой водой с нейтральным моющим средством, ополосните и просушите, вставьте фильтр (5) в держатель (4), установите держатель фильтра (4) на место, поверните воронку в рабочее положение.

- Не погружайте кофеварку, шнур питания и вилку шнура питания в воду или любые другие жидкости.

### ХРАНЕНИЕ

- Прежде чем убрать кофеварку на хранение, отключите её от электросети и дайте её полностью остыть.
- Произведите чистку кофеварки.
- Храните кофеварку в сухом прохладном месте, недоступном для детей и людей с ограниченными возможностями.

### КОМПЛЕКТ ПОСТАВКИ

1. Кофеварка – 1 шт.
2. Инструкция – 1 шт.

### ТЕХНИЧЕСКИЕ ХАРАКТЕРИСТИКИ

- Электропитание: 220-240 В, ~ 50-60 Гц
- Номинальная потребляемая мощность: 1000 Вт
- Объём резервуара для воды: 1,5 л

## УТИЛИЗАЦИЯ



В целях защиты окружающей среды, после окончания срока службы прибора, передайте его в специализированные пункты для дальнейшей утилизации.

Отходы, образующиеся при утилизации изделий, подлежат обязательному сбору с последующей утилизацией в установленном порядке.

Для получения дополнительной информации об утилизации данного продукта обратитесь в местный муниципалитет, службу утилизации бытовых отходов или в магазин, где Вы приобрели данный продукт.

Производитель сохраняет за собой право изменять дизайн, конструкцию и технические характеристики, не влияющие на общие принципы работы устройства, без предварительного уведомления.

**Срок службы устройства — 3 года**

Дата производства указана в серийном номере.

**В случае обнаружения каких-либо неисправностей необходимо обратиться в авторизованный сервисный центр.**

## BR1121 МҮЙІЗДІ КОФЕҚАЙНАТҚЫШ

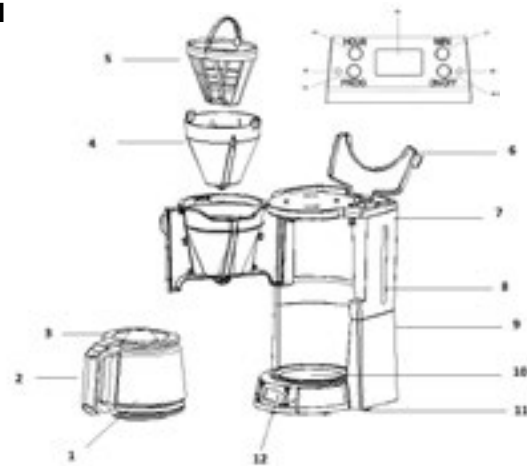
Кофеқайнатқыш кофе дайындауға арналған

### СИПАТТАМАСЫ

1. Дайын кофеге арналған құты
2. Құты тұтқасы
3. Құты қақпағы
4. Сүзгі ұстағышы
5. Көп реттік сүзгі
6. Суға арналған суқойманың қақпағы
7. Суға арналған суқойма
8. Су деңгейінің шәкілі
9. Кофе қайнатқыштың корпусы
10. Құтыны орнататын/құтыны қыздыратын алаңша
11. Тірейтін аяқшалар
12. Басқару тақтасы

### Басқару панелі

13. «PROG» кофеқайнатқышты қосу уақытын бағдарламалау батырмасы
14. Бағдарламалау режимінің жұмыс индикаторы
15. «Сағат» «HOUR» уақытты орнату батырмасы
16. Дисплейі
17. Уақытты орнату батырмасы «минуттар» «MIN»
18. Кофеқайнатқышты қосу индикаторы
19. Іске қосу/сөндіру батырмасы «ON/OFF»



### НАЗАР АУДАРЫҢЫЗ!

Қосымша қорғаныс үшін қуаттандыру тізбегінде номиналдық іске қосылу тогы 30 мА аспайтын қорғаныс сөндіру құралын (ҚСҚ) орнатқан дұрыс, ҚСҚ-ны орнату үшін маманға жүгінізіз.

## ҚАУІПСІЗДІК ШАРАЛАРЫ ЖӘНЕ КОФЕҚАЙНАТҚЫШТЫ ПАЙДАЛАНУ БОЙЫНША ҰСЫНЫСТАР

**Кофеқайнатқышты пайдалану алдында пайдалануға беру жөніндегі нұсқаулығын мұқият оқып шығыңыз, одан кейін болашақта пайдалану үшін сақтап қойыңыз.**

- Кофеқайнатқышты осы нұсқаулықта баяндалғандай оның тікелей мақсаты бойынша ғана пайдаланыңыз.
- Кофеқайнатқышты дұрыс қолданбау оның бұзылуына, және пайдаланушыға немесе оның мүлкіне зиян келтіруге әкеп соғуы мүмкін және кепілдік жағдайы болып табылмайды.
- Кофеқайнатқыш эспрессо және капучино кофесін дайындауға, дайын сусындарды жылытуға арналған, кез келген басқа сұйықтықтарды жылытуға тыйым салынады.
- Заттаңбада көрсетілген кофеқайнатқыштың жұмыс кернеуі электр желісінің кернеуіне сәйкес екеніне көз жеткізіңіз.
- Қуаттандыру бауы ашасының жерге қосу байланысы бар,
- оны жерге қосудың сенімді байланысы бар электр розеткасына қосыңыз. Қысқа тұйықталу кезінде, жерге қосуы электр тоғы соққысы қауіпін төмендетеді.

- Егер розетканың дұрыс орнатылғанына және жерге қосылуына сенімді болмасаңыз, электр-манына жүгініңіз.
- Өрттің шығуын болдырмау үшін жерге қосу байланысы жоқ электр розеткасына қосуға арналған, қуаттандыру бауы ашасының «өткізгіштерін» пайдалануға тыйым салынады.
- Күйік иісі және электр розеткасынан от ұшқыны пайда болған кезде, розеткадан желі бауының ашасын суырыңыз және сіздің үйіңіздің электр желісіне қызмет көрсететін ұйымға жүгініңіз.
- Құрылғы корпусынан түтін шыққан кезде қуаттандыру бауының ашасын электр розеткасынан шығарыңыз және от таралмауға қатысты шараларды қолданыңыз.
- Кофеқайнатқышты 0 °C-тан жоғары температурада пайдаланыңыз және сақтаңыз.
- Электр кофеқайнатқышты үй-жайдан тыс жерде пайдалануға тыйым салынады.
- Найзағай кезінде құрылғыны пайдалану ұсынылмайды.
- Құрылғыны соққыдан, құлаудан, дірілден және басқа да механикалық әсерлерден сақтаңыз.
- Желіге қосылған кофеқайнатқышты қараусыз қалдырмаңыз.
- Өрттің шығуын, электр тоғы соққысын немесе физикалық жарақат алуды болдырмау үшін желі бауының ашасын, желі бауын немесе кофеқайнатқыш корпусын суға немесе басқа да сұйықтықтарға батырмаңыз.

- Кофеқайнақышты ас үй раковинасына жақын, жуынатын бөлмеде, бассейндер немесе басқа да су толтырылған сыйымдылықтарға жақын жерде пайдаланбаңыз.
- Құрылғы суға құлап кеткен жағдайда, дереу желі бауының ашасын электр розеткасынан сурыңыз, содан кейін ғана құрылғыны судан алып шығыңыз.
- Кофеқайнатқышты жылу көздерінің, жылыту аспаптарының немесе ашық оттың тікелей жанында пайдаланбаңыз.
- Құрылғыны аэрозольдар пайдаланылатын немесе шашырайтын жерлерде, сондай-ақ тез тұтанатын сұйықтықтарға жақын жерлерде пайдалануға тыйым салынады.
- Кофеқайнатқышты тегіс және тұрақты бетке орнатыңыз, оны үстелдің шетіне қоймаңыз. Желі бауының үстелден салбырап тұруына жол бермеңіз, сонымен бірге оның ыстық беттермен және жиһаздың өткір жиектерімен жанаспауын қадағалаңыз.
- Кофеқайнатқышты ыстық беттерге қоймаңыз.
- Қуаттандыру бауы мен қуаттандыру бауының ашасына сулы қолмен тиісуге тыйым салынады.
- Жеткізілім жиынтығына кіретін кофеқайнатқыш бөлшектері мен жабдықтарын ғана пайдаланыңыз.
- Кофеқайнатқышты қосар алдында барлық шешілмелі бөлшектерінің дұрыс орнатылғанына көз жеткізіңіз.

- Суқоймадағы судың деңгейі минималдық белгіден төмен болмауын қадағалаңыз.
- Суы жоқ кофеқайнатқышты қоспаңыз.
- Кофенің шыны құтысының зақымдануын болдырмау үшін, оны абайлап ұстаңыз!
- Құтыны басқа мақсаттар үшін пайдаланбаңыз, оны электр және газ пештеріне қоймаңыз, құтыны қысқа толқынды пештерде пайдаланбаңыз.
- Кофеқайнатқышты кофеге арналған құтысы орнатулы тұрған кезде ғана пайдаланыңыз.
- Кофе әзірлеу барысында құтыны қыздыруға арналған тұғырдан шешіп алмаңыз.
- Бос құтыны қыздыратын алаңшада қалдырмаңыз, және температураның кенет ауытқуына жол бермеңіз, кері жағдайда құты шынысы шытынап кетуі мүмкін.
- Ыстық шыны құтыны суық бетке қоймаңыз.
- Егер шыны құты бүлінген болса, кофеқайнатқышты пайдаланбаңыз.
- Күйік алуға жол бермеу үшін кофе әзірлеу барысында және оны сөндіргеннен кейін бірден кофеқайнатқыштың ыстық беттеріне қолыңызды тигізбеңіз. Кофеқайнатқышты салқындатыңыз.
- Кофе әзірлеген уақытта су қысыммен үдетілген кофе арқылы өтеді, сондықтан кофеқайнатқыштың үстінен еңкейіп төнуге, суқойманың қақпағын ашуға, сүзгі ұстағышын алуға және көп реттік сүзгіні шығаруға тыйым салынады.



- Тазалау және жабдықтарын шешу алдында құрылғыны толығымен суытыңыз.
- Кофеқайнатқышты тазалау алдында немесе пайдаланбайтын болған жағдайда, оны электр желісінен ажыратыңыз. Кофеқайнатқышты желіден ажыратқан кезде тек қуаттандыру бауының ашасынан ұстаңыз және оны электр розеткасынан абайлап шығарыңыз, қуаттандыру бауынан тартпаңыз — бұл қуаттандыру бауының, электр розетканың зақымдануына әкелуі немесе қысқа тұйықталуын тудыруы мүмкін.
- Балалардың қауіпсіздігі мақсатында қаптама ретінде қолданылатын полиэтилен пакеттерді қараусыз қалдырмаңыз.

#### **НАЗАР АУДАРЫҢЫЗ!**

Балаларға полиэтилен пакеттерімен немесе қаптама үлдірімен ойнауға рұқсат етпеңіз. **Тұншығу қаупі бар!**

- Кофеқайнатқыш балалардың пайдалануына арналмаған.
- Аспапты ойыншық ретінде пайдаланбаулары үшін балаларды қадағалап отырыңыз.
- Кофеқайнатқыш жұмыс істеп тұрғанда балаларға қуаттандыру бауына және құрылғыға тиісуіне жол бермеңіз.
- Жұмыс кезінде және суу кезінде құрылғыны балалардың қолы жетпейтін жерге қойыңыз.

- Осы құрылғы дене, психикалық немесе ақыл-ой мүмкіндіктері төмендетілген тұлғалардың
- (балаларды қоса) немесе олардың тәжірибесі немесе білімі болмаса, егер олар бақыланбаса немесе олардың қауіпсіздігі үшін жауап беретін тұлғамен аспапты пайдалану туралы нұсқаулықтар берілген болмаса, олардың пайдалануына арналмаған.
- Қуаттандыру бауының, қуаттандыру бауының ашасы және құрылғы корпусының жағдайын мезгілімен тексеріп отырыңыз.
- Қуаттандыру бауы зақымданғанда қауіп тудырмау үшін оны дайындаушы, сервистік қызмет немесе баламалы білікті маман ауыстыруы тиіс.
- Аспапты өз бетіңізбен жөндеуге тыйым салынады. Аспапты өз бетіңізбен жөндемеңіз, кез-келген ақаулықтар пайда болған кезде, сондай-ақ құрал құлағаннан кейін құрылғыны электр розеткасынан ажыратып, қызмет көрсету орталығына хабарласыңыз.
- Кофеқайнатқышты тек зауыт қаптамасымен ғана тасымалдаңыз.
- Құрылғыны балалардың және мүмкіндіктері шектеулі адамдардың қолы жетпейтін жерде сақтаңыз.

**КОФЕҚАЙНАТҚЫШ ТЕК ТҰРМЫСТЫҚ ПАЙДАЛАНУҒА АРНАЛҒАН, КОФЕҚАЙНАТҚЫШТЫ КОМЕРЦИЯЛЫҚ НЕМЕСЕ ЗЕРТХАНАЛЫҚ МАҚСАТТАРДА ПАЙДАЛАНУҒА ТЫЙЫМ САЛЫНАДЫ.**

## **КОФЕҚАЙНАТҚЫШТЫ ЖҰМЫСҚА ДАЙЫНДАУ**

**Құрылғыны төмен температурада тасымалдағаннан кейін немесе сақтағаннан кейін оны бөлме температурасында үш сағаттан кем емес уақыт ұстау қажет.**

- Кофеқайнатқышты қаптамадан шығарыңыз және барлық қаптама материалдарын алып тастаңыз.
- Зауыт қаптамасын сақтап қойыңыз.
- Жинақталымын тексеріңіз.
- Қауіпсіздік шаралары мен пайдалану нұсқауларымен танысыңыз.
- Кофеқайнатқышты зақымдануға тексеріңіз, зақымданған жері бар болған жағдайда оны электр розеткасына қоспаңыз.
- Бұйымның төменгі панелінде көрсетілген қуаттандыру кернеуінің параметрлері электр желісінің параметрлеріне сәйкес келетініне көз жеткізіңіз. Құрылғыны 60 Гц жиіліктегі электр желісінде пайдаланғанда, ешқандай қосымша әрекет қажет емес.
- Кофеқайнатқыш корпусының сыртқы бетін таза, шаңды сүртуге арналған сәл дымқыл матамен сүртіңіз.
- Тұтқаны алыңыз және құйғышты сол жаққа бұраңыз.
- Сүзгі ұстағышын (4) құйғыштан шығарыңыз, көп

реттік сүзгі (5) шығарыңыз.

- Барлық алынбалы бөлшектерді бейтарап жуу құралы бар жылы сумен жуыңыз: кофе құтысын (1), сүзгі ұстағышы (4), сүзгіні (5), оларды шайыңыз және кептіріңіз.
- Сүзгі ұстағышын (4) құйғышқа орнатыңыз.
- Сүзгіні (5) ұстағышқа (4) салыңыз.
- Құйғышты оңға қарай тірелгенге дейін бұрыңыз.
- Кофеге арналған құтыны (1) таза сумен жартысына дейін толтырыңыз.
- Қақпақты (6) ашыңыз және суды құтыдан (1) суқоймаға (7) құйыңыз.
- Қақпақты (6) жабыңыз, құтыны (1) алаңшаға (10) орнатыңыз.
- Желі бауының ашасын электр розеткаға қосыңыз, дисплейде (16) цифрлі таңбалар «12:00» пайда болады.
- Қосу/сөндіру батырмасын (19) «ON/OFF» басып кофеқайнатқышты қосыңыз, бұл ретте жарық индикаторы (18) жанады.
- Суқоймада (7) су қалмағаннан кейін, батырманы (19) «ON/OFF» қосу/өшіру қайта басып кофеқайнатқышты өшіріңіз, бұл ретте жарық индикаторы (18) өшіріледі.
- **Ескертпе:** қажет болған жағдайда, Сіз (19) «ON/OFF» қосу/өшіру батырмасын басу арқылы кофеқайнатқышты кез келген уақытта өшіре аласыз.
- Құрылғыны 5 минут бойы суытыңыз, суды құтыдан (1) төгіңіз.

- Қажет болса, кофеқайнатқыштың жуу циклын 2-3 рет қайталаңыз.

### КОФЕ ӘЗІРЛЕУ

Ыстық су сүзгіштегі (5) ұнтақталған кофенің қабатынан бір рет өткен кезде кофе әзірленеді. Дайын сусынның дәмі бастапқы өнімнің сапасына байланысты, сондықтан жақсы қуырылған және дөні жаңа ұнтақталған кофені пайдалану ұсынылады.

- Тұтқаны алыңыз және құйғышты сол жаққа бұраңыз.
- Ұнтақталған кофенің қажетті көлемін өлшеңіз және оны сүзгіге (5) салыңыз. Орташа мөлшермен бір тостаған кофеге 6 грамм ұнтақталған кофе қажет, дәл мөлшерін талғамға қарай таңдаңыз.
- Құйғышты оңға қарай тірелгенге дейін бұрыңыз.
- Қақпақты (6) ашыңыз және суқойманы (7) қажетті деңгейге дейін суық сумен толтырыңыз. Су деңгейін шәкіл (8) арқылы анықтаңыз.
- Қақпақты (6) жабыңыз.
- Құтыны (1) алаңшаға (10) орнатыңыз.
- Желі бауының ашасын электр розеткаға қосыңыз, дисплейде (16) цифрлі таңбалар «12:00» пайда болады.
- Қосу/сөндіру батырмасын (19) «ON/OFF» басып кофеқайнатқышты қосыңыз, бұл ретте жарық индикаторы (18) жанады.

- Құтыға (1) дайын кофе толтырылғаннан кейін, (19) «ON/OFF» қосу/өшіру батырмасын қайта басып, кофеқайнатқышты өшіріңіз, бұл ретте жарық индикаторы (18) өшіріледі.
- Кофе ыстық күйде қалу үшін құтыны (1) алаңшада (10) қалдырыңыз және кофеқайнатқышты өшірмеңіз.
- **Ескертпе:**
  - кофе әзірлеу барысында батырмалар «PROG», «HOUR» және «MIN» белсенді емес.
  - дайын кофені жылыту уақыты 40 минутпен шектелген, содан кейін кофеқайнатқыш өшіріледі.

### НАЗАР АУДАРЫҢЫЗ!

- Құтыны (1) қыздыру қажеттілігі болмаған кезде, (19) «ON/OFF» қосу/өшіру батырмасын басып кофеқайнатқышты міндетті түрде өшіріңіз.
- Су бу қысымымен ұнтақталған кофе арқылы өтеді, сондықтан кофені әзірлеу кезінде кофе қайнатқыштың үстіне еңкеюге, қақпақты (6) ашуға, құйғышты бұрауға, сүзгі ұстағышын (4) және сүзгіні (5) шығаруға тыйым салынады.
- Кофеге арналған бос құтыны (1) құтыны қыздыруға арналған алаңшада (10) қалдыруға тыйым салынады, кері жағдайда құтының шынысы шытынап кетуі мүмкін.

### КОФЕҚАЙНАТҚЫШТЫҢ ҚОСЫЛУ УАҚЫТЫН БАҒДАРЛАМАЛАУ ФУНКЦИЯСЫ

- Тұтқаны алыңыз және құйғышты сол жаққа бұраңыз.
- Ұнтақталған кофенің қажетті көлемін өлшеңіз және оны сүзгіге (5) салыңыз. Орташа мөлшермен бір тостаған кофеге 6 грамм ұнтақталған кофе қажет, дәл мөлшерін талғамға қарай таңдаңыз.
- Құйғышты оңға қарай тірелгенге дейін бұрыңыз.
- Қақпақты (6) ашыңыз және суқойманы (7) қажетті деңгейге дейін суық сумен толтырыңыз. Су деңгейін шәкіл (8) арқылы анықтаңыз.
- Қақпақты (6) жабыңыз.
- Құтыны (1) алаңшаға (10) орнатыңыз.
- Желі бауының ашасын электр розеткаға қосыңыз, дисплейде (16) цифрлі таңбалар «12:00» пайда болады.
- Ағымдағы уақытты орнатыңыз. Батырманы (15) «HOUR» басып, «сағат» уақытын орнатыңыз. Батырманы «MIN» (17) басып, «минут» уақытын орнатыңыз. Ағымдағы уақыт дисплейде (16) цифрлік таңбалармен көрсетіледі. Уақыт форматы 24 сағат.
- Батырманы (13) «PROG» бір рет басыңыз, индикатор (14) жыпылықтайды, дисплейде (16) жыпылықтайтын «12:00» таңбалар пайда болады. Батырмалар (15) «HOUR» (17) «MIN» кофеқайнатқыштың қосылу уақытын орнатыңыз, мысалы,

«14:00», батырманы (13) «PROG» қайта басыңыз, индикатор (14) үнемі жарқырайды, біраз уақыттан кейін дисплейде (16) ағымдағы уақыт көрсетіледі.

- **Ескертпе:**
  - бағдарламалау функциясын болдырмау үшін батырмаға (13) «PROG» басыңыз, индикатор (14) өшеді.
  - қосу уақытын өзгерту үшін, жоғарыда сипатталған кофеқайнатқыштың қосу уақытын орнату тармақтарын қайталаңыз.
- Белгіленген уақытта, кофеқайнатқыш қосылады және индикатор (18) жанады.
- Егер кофе дайындағаннан кейін, Сіз (19) «ON/OFF» қосу/өшіру батырмасын басу арқылы кофеқайнатқышты өшірмесеңіз, онда ол 40 минуттан кейін өшіріледі.

### ҚАҚТЫ КЕТІРУ

- Кофеқайнатқышты қақтан мезгілімен тазалаңыз.
- «Қақты кетіретін үй құралын» қолдануға болады бұл лимон қышқылының үш бөлігін судың жүз бөлігіне қатысты лимон қышқылының ерітіндісі.
- Қақпақты (6) ашыңыз, суқойманы (7) су деңгейінің шәкіліндегі (8) ең жоғарғы деңгейге дейін қақты жоятын құралымен толтырыңыз.
- Сүзгі ұстағышы (4) және сүзгі (5) орынға орнатылғанына және сүзгіде (5) ұнтақталған кофе жоқ екеніне көз жеткізіңіз.
- Құтыны (1) алаңшаға (10) орнатыңыз.

- Қосу/сөндіру батырмасын (19) «ON/OFF» басып кофеқайнатқышты қосыңыз, бұл ретте жарық индикаторы (18) жанады.
- Құтыда (1) сұйықтықтың пайда болуын күтіңіз. Батырмаға (19) «ON/OFF» қосу/өшіру басып кофеқайнатқышты өшіріңіз.
- 15-20 минут күтіңіз және кофеқайнатқышты қосыңыз, суқоймада (7) тазалау құралы аяқталғанша күтіңіз.
- Кофеқайнатқышты өшіріңіз, құтыдан (1) сұйықтықты төгіңіз.
- Қақты кетіргеннен кейін кофеқайнатқышты әбден жуыңыз. Бұл үшін суқоймаға (7) сүзгіге (5) ұнтақталған кофені сеппей, таза суды құйыңыз да, құрылғыны қосыңыз.
- Кофеқайнатқыштың жуу циклын бірнеше рет қайталаңыз.
- **Ескертпе:** қақты кетіру үшін кофеқайнатқыштар мен кофе-машиналардағы қақты кетіруге арналған арнайы құралдарды, оларды пайдалану нұсқаулығын қатаң сақтай отырып, қолдануға болады.

## ТАЗАРТУ ЖӘНЕ КҮТІМІ

- Тазалау алдында әрқашан кофеқайнатқышты өшіріңіз және қуаттандыру бауының ашасын желі розеткасынан алып тастаңыз.
- Кофеқайнатқышты толық суытыңыз, корпусың (9) сыртқы беттерін сәл дымқыл жұмсақ матамен

сүртіп, содан кейін құрғатып сүртіңіз.

- Ластануды жою үшін жұмсақ тазалағыш құралдарды пайдаланыңыз, металл қылшақтарды және абразивті тазартқыш құралдарды және еріткіштерді пайдаланбаңыз.
- Барлық шешіlmелі бөлшектерді (1, 4, 5) бейтарап жуатын құралы бар жылы сумен жуыңыз, шайыңыз және кептіріңіз, сүзгіні (5) ұстағышқа (4) салыңыз, сүзгі ұстағышын (4) орнына орнатыңыз, құйғышты жұмыс күйіне бұрыңыз.
- Кофеқайнатқышты, қуаттандыру бауын және желі бауының ашасын суға немесе кез-келген басқа сұйықтықтарға салмаңыз.

## САҚТАЛУЫ

- Кофеқайнатқышты ұзақ уақыт бойы сақтауға алып қоймас бұрын, оны электр желісінен ажыратыңыз және оны толық суытыңыз.
- Кофеқайнатқыштың тазалауын жүргізіңіз.
- Кофеқайнатқышты салқын және құрғақ жерде, балалардың және мүмкіндігі шектеулі адамдардың қолы жетпейтін жерде сақтаңыз.

## ЖЕТКІЗІЛІМ ЖИЫНТЫҒЫ

1. Кофеқайнатқыш – 1 дн.
2. Нұсқаулық – 1 дн.

## ТЕХНИКАЛЫҚ СИПАТТАМАЛАРЫ

- Электр қуаттандыруы: 220-240 В, ~ 50-60 Гц
- Номиналды тұтыну қуаты: 1000 Вт
- Суға арналған суқойманың көлемі: 1,5 л

## ПАЙДАҒА АСЫРУ



Қоршаған ортаны қорғау мақсатында, аспаптың қызмет ету мерзімі аяқталғаннан кейін оны одан әрі пайдаға асыру үшін арнайы пункттерге жіберіңіз.

Бұйымдарды пайдаға асыру кезінде пайда болатын қалдықтар белгіленген тәртіп бойынша келесі пайдаға асыру үшін міндетті түрде жинастуруға жатады.

Берілген өнімді пайдаға асыру туралы қосымша ақпаратты алу үшін жергілікті муниципалитетке, тұрмыстық қалдықтарды пайдаға асыру қызметіне немесе берілген өнімді Сіз сатып алған дүкенге жүгініңіз.

Өндіруші құрылғының жалпы жұмыс ұстанымдарына әсер етпейтін дизайнды, алдын ала ескертусіз құрастырылымын және техникалық сипаттамаларды өзгерту құқығын өзінде сақтайды.

**Құрылғының қызмет ету мерзімі — 3 жыл**

**Өндірілген күні сериялық нөмірде көрсетілген.**

**Қандай да бір ақаулықтар табылған жағдайда дереу авторландырылған сервистік орталыққа жүгіну керек.**

## КАВАВАРКА BR1121

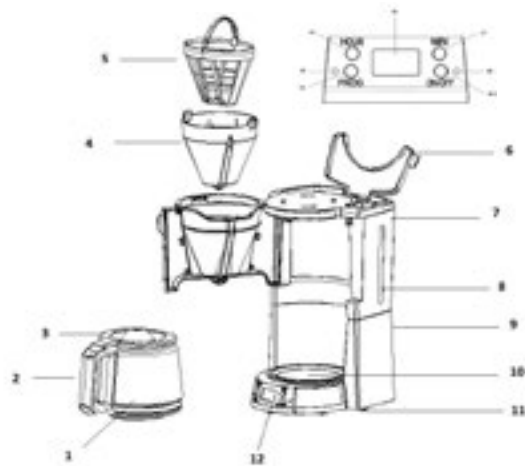
Кававарка прызначана для прыгатавання кавы.

### АПІСАННЕ

1. Колба для гатовога кофе
2. Ручка колбы
3. Крышка колбы
4. Держатель фільтра
5. Многоразовый фільтр
6. Крышка резервуара для воды
7. Резервуар для воды
8. Шкала ўзрэння воды
9. Корпус кофеваркі
10. Плошадка для ўстаноўкі колбы/падогрева колбы
11. Опорныя ножкі

### Панель управлення

12. Панель управлення
13. Кнопка праграмавання часу ўключэння кофеваркі «PROG»
14. Індикатар работы рэжыма праграмавання
15. Кнопка ўстаноўкі часу «часы» «HOUR»
16. Дысплей
17. Кнопка ўстаноўкі часу «мінуты» «MIN»
18. Індикатар ўключэння кофеваркі
19. Кнопка ўключэння/выключэння «ON/OFF»



### УВАГА!

Для дадатковай бяспекі ў ланцугу сілкавання мэтазгодна ўсталяваць прыладу ахоўнага адключэння (ПАА) з намінальным токам спрацоўвання, які не перавышае 30 мА, для ўсталявання ПАА звярніцеся да спецыяліста.

## МЕРЫ БЯСПЕКІ І РЭКАМЕНДАЦЫІ ПА ЭКСПЛУАТАЦЫІ КАВАВАРКІ

Перад выкарыстаннем кававапкі ўважліва азнаёмцеся з кіраўніцтвам па эксплуатацыі, і захавайце яго для выкарыстання ў будучыні.

- Выкарыстоўвайце кававарку толькі па яе прамым прызначэнні, як вызначана ў дадзенай інструкцыі.
- Няправільнае выкарыстанне кававаркі можа прывесці да яе паломкі, прычынэння шкоды карыстальніку ці яго маёмасці і не з'яўляецца гарантыйным выпадкам.
- Кававарка прызначана для падрыхтоўкі кавы эспрэса і капучына, падагрэву гатовых напояў, забараняецца падаграваць любыя іншыя вадкасці.
- Пераканайцеся, што працоўная напруга кававаркі, якая паказана на этыкетцы, адпавядае напруге электрасеткі.
- Вілка шнура сілкавання мае кантакт заземлення, устаўляйце яе ў электрычную разетку, якая мае надзейны кантакт заземлення. Пры кароткім замыканні заземленне паніжае рызыку паражэння электрычным токам.
- Звярніцеся да спецыяліста-электрыка, калі вы не ўпэўнены ў тым, што вашы разеткі правільна ўсталяваны ці заземлены.
- Каб пазбегнуць узнікнення пажару, забараняецца выкарыстоўваць «пераходнікі», прызначаныя для

падлучэння сеткавай вілкі да электрычнай разетки, якая не мае кантакта заземлення.

- Пры іскрэнні ў электрычнай разетцы і наяўнасці паху гару, выміце вілку шнура сілкавання з разетки і звярніцеся ў арганізацыю, якая абслугоўвае вашу хатнюю электрычную сетку.
- Пры з'яўленні дыму з корпусу прылады, выміце вілку шнура сілкавання з электрычнай разетки і прыміце меры да нераспаўсюджвання агню.
- Выкарыстоўвайце і захоўваеце кававарку пры тэмпературы вышэй за 0 °С.
- Забараняецца выкарыстоўваць кававарку па-за памяшканнямі.
- Не рэкамендуецца выкарыстоўваць прыладу падчас навальніцы.
- Аберагайце прыладу ад удараў, падзенняў, вібрацый і іншых механічных уздзеянняў.
- Не астаўляйце кававарку, якая ўключана ў сетку, без нагляду.
- Каб пазбегнуць пажару, удару электрычным токам або фізічных пашкоджанняў не апускайце вілку шнура сілкавання, шнур сілкавання або корпус кававаркі ў ваду або любыя іншыя вадкасці.
- Не выкарыстоўвайце кававарку зблізка ад кухоннай ракавіны, ў ваннага памяшканнях, каля басейнаў ці іншых ёмістасцяў, якія напоўнены вадой.
- Калі прылада ўпала ў ваду, неадкладна выміце вілку шнура сілкавання з электрычнай сеткі, і толькі пасля гэтага мажліва дастаць прыладу з вады.

- Не выкарыстоўвайце кававарку ў непасрэднай блізкасці ад награвальных прылад, крыніц цяпла ці адкрытага полымя.
- Забараняецца выкарыстоўваць прыладу ў месцах, дзе выкарыстоўваюцца ці распыляюцца аэразолі, а таксама зблізку ад лёгкаўзгаральных вадкасцяў.
- Усталёўвайце кававарку на роўную і ўстойлівую паверхню, не стаўце яе на край стала. Не дапушчайце, каб шнур сілкання звешваўся са стала, а таксама сачыце, каб ён не дакранаўся да гарачых паверхняў і вострых кромак мэблі.
- Не стаўце кававарку на гарачыя паверхні.
- Забараняецца дакранацца да шнура сілкання і вілкі шнура сілкання мокрымі рукамі.
- Выкарыстоўвайце толькі дэталі кававаркі і прылады, якія ўваходзяць у камплект пастаўкі.
- Перад уключэннем прылады пераканайцеся, што ўсе здымныя дэталі ўсталяваны правільна.
- Сачыце, каб узровень вады ў рэзервуары быў не вышэй, чым максімальная адмеціна.
- Не ўключаіце кававарку без вады.
- Асцярожна выкарыстоўвайце шклянную колбу для кавы, каб пазбегнуць яе пашкоджання!
- Не выкарыстоўвайце колбу для іншых мэт, не стаўце яе на электрычныя і газавыя пліты, не выкарыстоўвайце колбу ў мікрахвалевага печы.
- Выкарыстоўвайце кававарку толькі з усталяванай колбай для кавы.

- Не здымайце колбу з плячоўкі для падагрэву ў працэсе прыгатавання кавы.
- Не пакідайце пустую колбу на плячоўцы для падагрэву, не дапушчайце рэзкіх тэмпературных перападаў, у адваротным выпадку шкло колбы можа трэснуць.
- Не стаўце гарачую шклянную колбу на халодную паверхню.
- Не выкарыстоўвайце кававарку, калі шкляная колба пашкоджана.
- Каб пазбегнуць апёку, не дакранайцеся да гарачых паверхняў кававаркі ў працэсе прыгатавання кавы і адразу пасля яе выключэння. Дайце кававарцы астыць.
- Падчас прыгатавання кавы вада пад ціскам пары праходзіць праз молатую каву, таму забараняецца нахіляцца над кававаркай, адкрываць крышку рэзервуара, вымаць трымальнік фільтра і шматразовы фільтр.
- Дайце прыстасаванню цалкам астыць перад чысткай і здыманнем прыналежнасцей.
- Адключайце кававарку ад электрычнай сеткі перад чысткай ці ў тым выпадку, калі вы ёю не карыстаецеся. Падчас адключэння кававаркі ад электрычнай сеткі трымайцеся за вілку шнура сілкання і акуратна вымайце яе з электрычнай разеткі, не цягніце за шнур сілкавання — гэта можа прывесці да пашкоджання шнура сілкання, электрычнай разеткі ці вызваць кароткае замыканне.

- З меркаванняў бяспекі дзяцей не пакідайце поліэтыленавыя пакеты, якія выкарыстоўваюцца ў якасці пакавання, без нагляду.

#### УВАГА!

Не дазваляйце дзецям гуляць з поліэтыленавымі пакаваннямі ці пакавальнай плёнкай. **Небяспека удрушша!**

- Кававарка не прызначана для выкарыстання дзецьмі.
- Здзяйсняйцегляд за дзецьмі каб не дапусціць выкарыстання прылады ў якасці цацкі.
- Не дазваляйце дзецям дакранацца да прылады і да шнура сілкання падчас працы кававаркі.
- Падчас працы і астывання размяшчайце прыладу ў месцах, недаступных для дзяцей.
- Дадзеная прылада не прызначана для выкарыстання асобамі (уключаючы дзяцей) з паніжанымі фізічнымі, псіхічнымі або разумовымі здольнасцямі або пры адсутнасці ў іх досведу і ведаў, калі яны не знаходзяцца пад кантролем або не праінструктаваны аб выкарыстанні прылады асобай, якая адказвае за іх бяспеку.
- Перад выкарыстаннем правярайце стан шнура сілкання, вілкі шнура сілкання і корпусу прылады.
- Пры пашкоджанні шнура сілкання яго замену, у пазбяганне небяспекі, павінны праводзіць вытворца, сервісная служба ці падобны кваліфікаваны персанал.

- Забараняецца самастойна рамантаваць прыладу. Не разбірайце прыладу самастойна, пры ўзнікненні любых няспраўнасцяў, а таксама пасля падзення прылады выключыце яе з электрычнай разеткі і звярніцеся ў сервісны цэнтр.
- Перавазіце кававарку ў заводскім пакаванні.
- Храніце прыладу ў месцах, недаступных для дзяцей і людзей з абмежаванымі мажлівасцямі.

**КАВАВАРКА ПРЫЗНАЧАНА ТОЛЬКІ ДЛЯ ПА-БЫТАВАГА ВЫКАРЫСТАННЯ, ЗАБАРАНЯЕЦЦА ВЫКАРЫСТОЎВАЦЬ Ў ПРАМЫСЛОВЫХ ЦІ ЛАБАРАТОРНЫХ МЭТАХ.**

#### ПАДРЫХТОЎКА КАВАВАРКІ ДА ПРАЦЫ

**Пасля транспартыроўкі ці захоўвання прылады пры паніжанай тэмпературы неабходна вытрымаць яе пры пакаёвай тэмпературы не меней, чым тры гадзіны.**

- Распакуйце кававарку і выдаліце ўсе пакавальныя матэрыялы.
- Зберажыце заводское пакаванне.
- Праверце камплектацыю.
- Азнаёмцеся з мерамі бяспекі і рэкамендацыямі па эксплуатацыі.
- Аглядзіце кававарку на наяўнасць пашкоджанняў, пры наяўнасці пашкоджанняў не ўключаіце яе ў электрычную разетку.

- Пераканайцеся, што параметры напругі, пазначаныя на ніжняй панэлі вырабу або падстаўцы, адпавядаюць параметрам электрычнай сеткі. Пры выкарыстанні прылады ў электрычнай сетцы чашчынёй 60 Гц. ніякія дадатковая дзеянні не патрабуюцца.
- Пратрыце знешнюю паверхню корпусу чыстай, злёгка вільготнай тканінай для выдалення пылу.
- Вазьміцеся за ручку і павярніце варонку ў левы бок.
- Выміце з варонкі трымальнік фільтра (4), выміце шматразовы фільтр (5).
- Прамыйце цёплай вадой з нейтральным сродкам для мыцця ўсе здымныя дэталі: колбу для кавы (1), трымальнік фільтра (4), фільтр (5), апаласніце іх і прасушыце.
- Усталюйце трымальнік фільтра (4) у кававарку.
- Устаўце фільтр (5) у трымальнік (4).
- Павярніце варонку направа да ўпора.
- Напоўніце колбу для кавы (1) чыстай вадой прыблізна напалову.
- Адкрыйце крышку (6) і выліце вадку з колбы (1) у рэзервуар (7).
- Закрыйце крышку (6) і ўсталюйце колбу (1) на пляцоўку (10).
- Устаўце вілку шнура сілкавання ў электрычную разетку, на дысплеі (16) адлюструюцца лічбавыя сімвалы «12:00».

- Уключыце кававарку, націснуўшы на кнопку ўключэння / выключэння (19) «ON / OFF», пры гэтым загарыцца светлавы індыкатар (18).
- Пасля таго як у рэзервуары (7) не застаецца вады, выключыце кававарку, паўторна націснуўшы на кнопку ўключэння / выключэння (19) «ON / OFF», пры гэтым светлавы індыкатар (18) пагасне.
- **Заўвага:** пры неабходнасці Вы можаце ў любы час выключыць кававарку, націснуўшы на кнопку ўключэння / выключэння (19) «ON / OFF».
- Дайце прыладзе астыць на працягу 5 хвілін і выліце вадку з колбы (1).
- Пры неабходнасці паўтарыце цыкл прамывання кававаркі 2-3 разы.

### ПРЫГАТАВАННЕ КАВЫ

- Гатовая кава атрымліваецца ў працэсе аднакратнага праходжання гарачай вады праз пласт молатай кавы ў фільтры (5). Смак гатовага напою залежыць ад якасці зыходнага прадукту, таму рэкамендуецца выкарыстоўваць добра прасмажаныя і свежазмолатыя зёрна кавы.
- Вазьміцеся за ручку і павярніце варонку ў левы бок.
- Адмерайце неабходную колькасць молатай кавы і засыпце яе ў фільтр (5). У сярэднім на адзін кубак кавы патрабуецца 6 грам молатай кавы, дакладную колькасць падбірайце да спадабы.

- Павярніце варонку направа да ўпора.
- Адкрыйце крышку (6), напоўніце рэзервуар (7) халоднай вадой да патрабаванага ўзроўню. Узровень вады вызначце з дапамогай шкалы (8).
- Закрыйце крышку (6).
- Усталюйце колбу (1) на пляцоўку (10).
- Устаўце вілку шнура сілкавання ў электрычную разетку, на дысплеі (16) адлюструюцца лічбавыя сімвалы «12:00».
- Уключыце кававарку, націснуўшы на кнопку ўключэння / выключэння (19) «ON / OFF», пры гэтым загарыцца светлавы індыкатар (18).
- Пасля таго як колба (1) напоўніцца гатовай кавай, выключыце кававарку, паўторна націснуўшы на кнопку ўключэння / выключэння (19) «ON / OFF», пры гэтым светлавы індыкатар (18) пагасне.
- Каб кава заставалася гарачай, пакіньце колбу (1) на пляцоўцы (10) і не выключайце кававарку.
- **Заўвагі:**
  - падчас прыгатавання кавы, кнопкі «PROG», «HOUR» і «MIN» не актыўныя.
  - час падагрэву гатовай кавы абмежаваны 40 хвілінамі, пасля гэтага кававарка выключыцца.

### УВАГА!

- Калі адпадзе неабходнасць у падагрэве колбы (1), абавязкова выключыце кававарку, націснуўшы на кнопку ўключэння / выключэння (19) «ON / OFF».

- Вада пад ціскам пары праходзіць праз молатую каву, таму падчас прыгатавання кавы забараняецца нахіляцца над кававаркай, адкрываць крышку (6), паварочваць варонку, вымаць трымальнік фільтра (4) і фільтр (5).
- Забараняецца пакідаць пустую колбу для кавы (1) на пляцоўцы для падагрэву колбы (10), у адваротным выпадку шкло колбы можа трэснуць.

### ФУНКЦЫЯ ПРАГРАМАВАННЯ ЧАСА УКЛЮЧЭННЯ КАВАВАРКІ

- Вазьміцеся за ручку і павярніце варонку ў левы бок.
- Адмерайце неабходную колькасць молатай кавы і засыпце яе ў фільтр (5). У сярэднім на адзін кубак кавы патрабуецца 6 грам молатай кавы, дакладную колькасць падбірайце да спадабы.
- Павярніце варонку направа да ўпора.
- Адкрыйце крышку (6), напоўніце рэзервуар (7) халоднай вадой да патрабаванага ўзроўню. Узровень вады вызначце з дапамогай шкалы (8).
- Закрыйце крышку (6).
- Усталюйце колбу (1) на пляцоўку (10).
- Устаўце вілку шнура сілкавання ў электрычную разетку, на дысплеі (16) адлюструюцца лічбавыя сімвалы «12:00».
- Устанавіце цякучы час. Націскамі кнопкі (15) «HOUR», ўстанавіце час «гадзіны». Націскамі

- кнопкі (17) «MIN», ўстанавіце час «хвіліны».
- Цякучы час адлюструецца лічбавымі сімваламі на дысплеі (16). Фармат часу 24 гадзіны.
- Націсніце кнопку (13) «PROG» адзін раз, індикатар (14) будзе мігаць, на дысплеі (16) адлюструюцца мігальныя сімвалы «12:00». Кнопкамі (15) «HOUR» (17) «MIN» устанавіце час уключэння кававаркі, напрыклад, «14:00», паўторна націсніце кнопку (13) «PROG», індикатар (14) будзе свяціцца пастаянна, праз некаторы час на дысплеі (16) адлюструецца цякучы час.
- Заўвагі:**
  - для адмены функцыі праграмавання, націсніце кнопку (13) «PROG», індикатар (14) пагасне.
  - для змены часу ўключэння, паўтарыце пункты ўстаноўкі часу ўключэння кававаркі, апісаныя вышэй.
- У ўстаноўлены час, кававарка ўключыцца і загарыцца індикатар (18).
- Калі пасля прыгатавання кавы, Вы не выключыце кававарку націскам кнопкі ўключэння / выключэння (19) «ON / OFF», то яна выключыцца праз 40 хвілін.

### ВЫДАЛЕННЕ НАКИПУ

- Рэгулярна ачышчайце кававарку ад накипу.
- Можна выкарыстоўваць «хатні сродак для выдалення накипу» - гэта раствор цытрынавай кіслаты

- ў суадносінах на сто частак вады тры часткі цытрынавай кіслаты.
- Адкрыце крышку (6), напоўніце рэзервуар (7) сродкам для выдалення накипу да максімальнага ўзроўню, на шкале ўзроўню вады (8).
- Пераканайцеся, што трымальнік фільтра (4) і фільтр (5) устаноўлены на месца, і што ў фільтры (5) няма молатай кавы.
- Усталойце колбу (1) на плячоўку (10).
- Уключыце кававарку, націснуўшы на кнопку ўключэння / выключэння (19) «ON / OFF», пры гэтым загарыцца светлавы індикатар (18).
- Дачакайцеся з'яўлення вадкасці ў колбе (1). Выключыце кававарку, націснуўшы на кнопку ўключэння / выключэння (19) «ON / OFF».
- Пачакайце 15-20 хвілін і ўключыце кававарку, дачакайцеся пакуль у рэзервуары (7) не скончыцца сродак для ачысткі.
- Выключыце кававарку, зліце вадкасць з колбы (1).
- Пасля выдалення накипу старанна прамыйце кававарку. Для гэтага заліце ў рэзервуар (7) чыстую ваду і ўключыце прыладу, не засыпаючы ў фільтр (5) молатую каву.
- Паўтарыце цыкл прамывання кававаркі некалькі разоў.
- Заўвага:** для выдалення накипу можна выкарыстоўваць спецыяльныя сродкі для выдалення накипу ў кававарках і кава машынах, строга выконваючы інструкцыі па іх выкарыстанні.

### ЧЫСТКА І ДОГЛЯД

- Перад чысткай заўсёды выключайце кававарку і вымайце вілку шнура сілкавання з сеткавай разеткі.
- Дайце кававарцы поўнаасцю астыць і пратрыце вонкавыя паверхні корпуса (9) мяккай злёгка вільготнай тканінай, затым вытрыце насуха.
- Каб выдаліць забруджванні, выкарыстоўвайце мяккія чысцячыя сродкі, не выкарыстоўвайце металічныя губкі і абразіўныя моючыя сродкі і растваральнікі.
- Здымныя дэталі (1, 4, 5) прамыйце цёплай вадой з нейтральным мыйным сродкам, апаласніце і прасушыце, ўстаўце фільтр (5) у трымальнік (4), усталойце трымальнік фільтра (4) на месца, павярніце варонку ў працоўнае становішча.
- Не апускайце кававарку, шнур сілкавання і відэлец шнура сілкавання ў ваду або любыя іншыя вадкасці.

### ЗАХОЎВАННЕ

- Перад тым як прыняць кававарку на захоўванне, адключыце яе ад электрасеткі і дайце ёй поўнаасцю астыць.
- Вырабіце чыстку кававаркі.
- Захоўвайце кававарку ў сухім прахалодным месцы, недаступным для дзяцей і людзей з абмежаванымі магчымасцямі.

### КАМПЛЕКТ ПАСТАЎКІ

1. Кававарка – 1 шт.
2. Інструкцыя – 1 шт.

### ТЭХНІЧНЫЯ ХАРАКТАРЫСТЫКІ

- Электрасілкаванне: 220-240 В, ~ 50-60 Гц
- Намінальная спажываемая магутнасць: 1000 Вт
- Аб'ём рэзервуара для вады: 1,5 л

### УТЫЛІЗАЦЫЯ



У мэтах аховы навакольнага асяроддзя, пасля заканчэння тэрміну службы прылады, перадайце яе ў спецыялізаваныя пункты для далейшай утылізацыі.

Адыходы, якія ствараюцца пры ўтылізацыі вырабаў, падлягаюць абавязковаму збору з наступнай утылізацыяй ва ўсталяваным парадку.

Каб атрымаць дадатковую інфармацыю пра ўтылізацыю дадзенага прадукта, звярніцеся ў мясцовы муніпалітэт, службу ўтылізацыі пабытавых адыходаў ці ў краму, дзе Вы набылі дадзены прадукт.

Вытворца захоўвае за сабой права змяняць дызайн, канструкцыю і тэхнічныя характарыстыкі, якія не ўплываюць на агульныя прынцыпы працы прылады, без папярэдняга апавяшчэння.

**Тэрмін службы прылады — 3 гады**

**Дата вырабу паказана ў серыйным нумары.**

**У выпадку выяўлення якіх-небудзь  
няспраўнасцяў неабходна тэрмінова звярнуцца ў  
аўтарызаваны сэрвісны цэнтр.**

Hergestellt für «Ruste GmbH»,  
Berggasse 18/18, 1090 Wien,  
Osterreich

Produced for «Ruste GmbH»,  
Berggasse 18/18, 1090 Vienna, Austria

Изготовлено по заказу Русте Гмбх,  
Бергассе 18/18, 1090 Вена, Австрия

Уполномоченное изготовителем  
лицо: ООО «Грантэл»  
143912, МО, г. Балашиха,  
ш. Энтузиастов, вл. 1А  
т.: +7 (495) 297-50-20,  
e-mail: info@brayer.su

Made in China/Произведено в Китае



[brayer.su](http://brayer.su)

