

Instruction manual
Инструкция по эксплуатации

Машинка для стрижки волос BR3405
Hair clipper BR3405



СОДЕРЖАНИЕ

EN.....	3
DE.....	12
RU.....	23
KZ.....	33

HAIR CLIPPER BR3405

The electric hair clipper is intended for cutting hair short, for trimming mustache and beard.

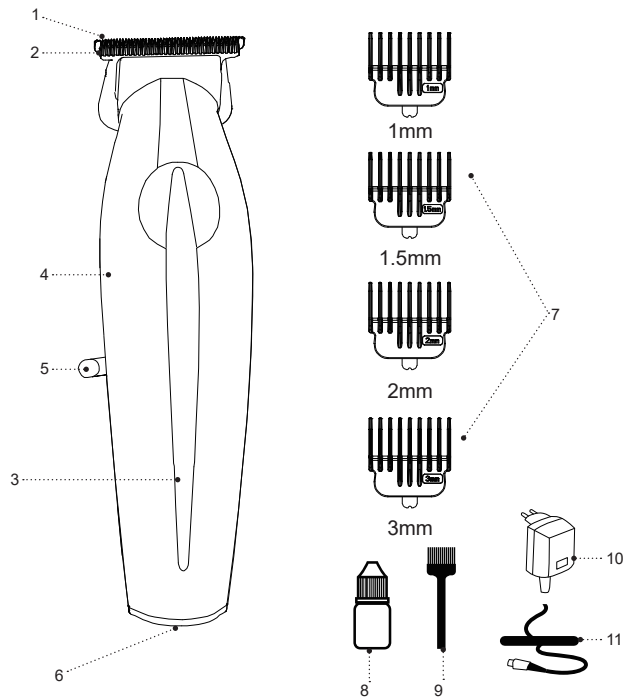
DESCRIPTION

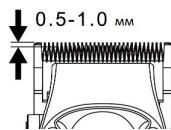
1. Fixed blade
2. Adjustable blade
3. Rechargeable battery charging indicator
4. Body
5. Power switch
6. Battery charging socket
7. Attachment combs «1 mm, 1.5 mm, 2 mm, 3 mm»
8. Lubricating oil
9. Cleaning brush
10. Power adapter (not included in delivery)
11. Type-C cable



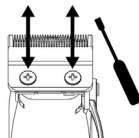
ATTENTION!

Don't use the unit near water in bathrooms, showers, swimming pools etc. during the battery charging or when powered by the adapter.

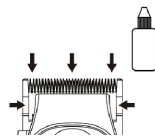




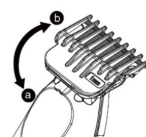
Pic. 1



Pic. 2



Pic. 3



Pic. 4

SAFETY MEASURES AND OPERATION RECOMMENDATIONS

Read the operation manual carefully before using the hair clipper set; after reading, keep it for future reference.

- Use the hair clipper as intended, as it is stated in this manual.
- Mishandling the unit can lead to its breakage and cause harm to the user or damage to the user's property, which is not covered by warranty.
- This hair clipper set is intended for household use only and not for professional use.
- Use the hair clipper only for cutting dry natural human hair.
- Do not use the hair clipper for cutting artificial wigs or animal hair.
- Make sure that the operating voltage of the power adapter indicated on the label corresponds to your home mains voltage.
- Provide that the connecting cord of the power adapter does not touch hot objects and surfaces and sharp edges of furniture. Do not immerse it into water or use as a carrying handle.
- Before using the hair clipper for the first time it is recommended to fully charge the battery.
- Do not charge the battery at temperature below +0°C and above +35°C.
- Do not touch the power adapter body with wet hands during battery charging.
- Do not charge the battery next to a kitchen sink, in bathrooms, near swimming pools or other containers filled with water.
- If the unit is dropped into water, unplug the power adapter immediately, and only then take the hair clipper out of the water.
- When unplugging the power adapter, do not pull the connecting cord, take the power adapter body and disconnect it from the mains socket.
- It is not recommended to charge the battery during a thunderstorm.
- Do not use the unit in places with high temperature and relative humidity more than 80%.
- Protect the unit from impacts, falling, vibrations and other mechanical stress.
- Do not use the unit near heating appliances, heat sources or open flame.
- Do not use the unit in places where aerosols are used or sprayed, and in proximity to inflammable liquids.
- Use only the attachment combs supplied with the unit.
- Before the operation make sure that the blade block and the attachment comb are installed properly.
- Do not use the hair clipper if the blades or attachment combs are damaged.
- Switch the hair clipper off before installing or removing the attachment combs or the blade block.
- Keep the blades clean and lubricated.
- Clean the cut hair off the blade block and the attachment comb with the brush after each use.
- Always switch the hair clipper off when you do not use it.

- If the hair clipper is powered by the power adapter, always unplug it after the use.
- Do not leave the operating unit unattended.
- Clean the unit regularly.
- For children safety reasons do not leave polyethylene bags, used as a packaging, unattended and within reach of children.

ATTENTION! Do not allow children to play with polyethylene bags or packaging film. **Danger of suffocation!**

- The hair clipper is not intended for usage by children.
- Do not leave children unattended to prevent using the unit as a toy.
- Do not allow children to touch the hair clipper blades during the unit operation and do not allow them to touch the power cord body during the battery charging.
- Be especially careful if children or disabled persons are near the operating unit.
- During the unit operation and breaks between operation cycles, place the unit out of reach of children.
- The unit is not intended to be used by people with physical, sensory or mental disabilities (including children) or by persons lacking experience or knowledge if they are not under supervision of a person who is responsible for their safety or if they are not instructed by this person on the usage of the unit.
- Do not repair the unit by yourself. Do not dismantle the unit by yourself. In case of any malfunction or if the unit is dropped, apply to the service center.

- To avoid damages, transport the unit in the original package.
- Keep the unit in a dry cool place out of reach of children and disabled persons.

THE UNIT IS INTENDED FOR HOUSEHOLD USE ONLY, DO NOT USE THE UNIT FOR COMMERCIAL OR LABORATORY PURPOSES.

BEFORE THE FIRST USE

After the unit's transportation or storage at negative temperature, unpack it and wait for 3 hours before using it.

- Unpack the unit and remove all the packaging materials.
- Keep the original package.
- Read the safety measures and operating recommendations.
- Check the delivery set.
- Examine the unit for damages, in case of damage do not plug it into the mains.
- Make sure that specified specifications of power supply voltage of the power adapter correspond to the specifications of your mains. When the unit is used in the mains with 60 Hz frequency, it does not need any additional settings.

BATTERY CHARGING

- Make sure that the hair clipper is switched off.
- Insert the power adapter (10) jack into the socket (6).

- Connect the power adapter (10) to the mains, the battery charging indicator (3) will light up bright blue.
- Full charging of the battery takes about 3 hours, the charging indicator (3) will glow regular blue.
- When the battery is charged, disconnect the power adapter from the mains socket and remove the power adapter (10) jack from the socket (6).

Notes:

- if during operation the battery charge level goes below 15%, the indicator (8) will flash blue;
- if the blades' motion is slowing down and you need to continue the unit operation, charge the battery or connect the power adapter;
- charge the battery at the temperature from +5°C to +35°C and relative humidity of no more than 80%;
- if you haven't used the unit for a long time, charge the battery completely during 2.5 hours before using the unit.

BLADES (1,2)

- Blades (1, 2) are consumable and they are not covered by warranty.
- The consumer should check the condition of the cutting edges of the blades (1, 2) by himself, as sharpening (polishing) of cutting edges is not covered by warranty.

Checking the correct installation of the blades.

- Before cutting, make sure that the blades are positioned correctly, the lower blade (1) should protrude

0.5 – 1.0 mm relative to the upper blade (2) (fig. 1).

- Loosen the mounting screws of the lower blade (1) and align the blade (1), tighten the mounting screws (fig. 2).

BLADES LUBRICATING

- Clean the blades off cut hair and lubricate it after every use. It is also recommended to lubricate the blades (1,2) before using the hair clipper.
- For lubricating the blades use the oil (8), supplied with the unit, or the oil intended for similar devices.
- Do not use vegetable oil or oil that contains solvents. Solvents will evaporate, and the remaining thick oil may slow down the blades motion.
- Apply the lubricating oil (8) to the junctions between the fixed and moving parts of the blades (pic. 3).
- Switch the hair clipper on with the power switch (5) and let it operate for approximately 30 seconds to spread the oil across the rubbing surfaces of the blades (1, 2).
- Switch the hair clipper off with the power switch (5) and remove the excessive oil with a paper towel or a dry cloth.

INSTALLING AND REMOVING THE ATTACHMENT COMB

- Install the required attachment comb (9) on the blades (1, 2) (pic. 4).
- Install the rear part «a» of an attachment comb (7) on the blade with its teeth upwards and press on the front part «b» of the attachment (7) until it is fixed (pic. 4). Before starting the haircut, make sure that the attachment (7)

is securely fixed. To remove the attachment comb (7) press on the front part «b» of the attachment (7) and remove the attachment (pic. 4).

HAIR STYLING INSTRUCTIONS

- Before cutting hair switch the hair clipper on and make sure that hair clipper operates normally and the blades move smoothly. If there is excess oil on the blades (1, 2), wipe it with a paper towel or a dry cloth.
- Seat the person whose hair you cut so that his/her head is approximately at your chest level.
- For the best results, cut dry hair. Do not cut freshly washed hair, dry them with a towel and blow dry.
- Comb the hair along the direction of hair growth.
- Always move the hair clipper against the direction of the hair growth. You can cut hair along the direction of hair growth, but keep in mind that the hair cut against the growth will be shorter than the hair cut along the growth.
- Move the hair clipper slowly during cutting hair.
- For even haircut make sure that the attachment comb fits closely to the head.
- Slowly run the hair clipper through the hair, moving it in different directions, make overlapping movements to make sure that all areas of the hair on the head are trimmed.
- Comb the hair along the direction of the growth to make it easier to cut them with the clipper.
- For even haircut of wavy, thin or long hair, use the comb to direct the hair to the blade block (1, 2).
- From time to time clean the attachment comb from cut hair with the brush (9).
- In the final stage of hair styling remove the installed attachment comb (7) from the clipper, turn the blades of the clipper towards the hair and trim hair on the temples and neck carefully. Before creating the contour, comb the hair above ears. Slightly bend back the person's ear so it will not get in the way of cutting hair. Do not press the clipper strongly, there is danger of injuries or cuts when open blades come in contact with skin.

USING THE ATTACHMENT COMBS

The attachment combs (7) are intended for cutting hair short, trimming mustache and beard.

- The hair clipper set includes the attachment combs (9) intended for various remaining hair length: «1 mm, 1,5 mm, 2 mm, 3 mm».
- To learn your hair clipper, start cutting hair with the attachment comb with a maximum remaining hair length (9) — 3 mm.

- After you finish cutting hair, switch the hair clipper off with the power switch (5).
- Remove the installed attachment comb (fig. 4), clean it from the hair, clean the blades (1, 2), use a brush for cleaning (9).
- Lubricate blades.

TRIMMING BEARD AND MUSTACHE

- Before trimming, brush the mustache and beard with a comb.

- The cut hair length depends on the used attachment comb (7): «1 mm, 1.5 mm, 2 mm, 3 mm».
- Start with using the attachment comb (7) «3 mm», if necessary, use other attachment combs (7) for shorter haircut.
- Before starting to trim mustache or beard, switch the hair clipper on with the power switch (5) and make sure that the hair clipper operates normally and the blade block (1, 2) moves smoothly.
- For effective hair trimming always move the hair clipper against the direction of the hair growth. Make sure that the attachment comb (7) surface always contacts the skin.
- In general, hair does not grow in one direction, so you can try different trimming directions, moving the hair clipper against the direction of the hair growth, along or across the direction of the hair growth.
- To trim the mustache, define the contour of the beard and cut undesirable hair, remove the installed attachment (7) from the blades (1, 2).
- Turn the blades of the clipper towards the hair and trim mustache and beard carefully. Do not press the hair clipper strongly, there is danger of getting injuries or cuts when open blades come in contact with skin.
- From time to time clean the attachment comb from cut hair with the brush (9).
- After you finish trimming, switch the hair clipper off with the power switch (5).
- Remove the installed attachment comb (7) (pic. 4), clean it from the hair, clean the blades (1, 2), use a

- brush (9) for cleaning.
- Lubricate the blades (1, 2) (pic. 3).

CLEANING AND CARE

- Switch the hair clipper off after using it.
- Remove the installed attachment comb (7) (pic. 4) and clean it from hair with the brush (9).
- Clean the blade block (1, 2). Do not wash the blade block (1, 2) and the inner cavity of the hair clipper body under a water jet.
- Clean the hair clipper body (4) with a soft, slightly damp cloth, and then wipe it dry.
- Do not use abrasives or solvents to clean the hair clipper body (4), the power adapter (7) and the attachment combs.
- Do not immerse the hair clipper and the power adapter into water or other liquids.
- Lubricate the blades (1, 2) after every use with the lubricating oil (8).

STORAGE

- Before taking the hair clipper away for storage, clean the hair clipper body (4), the blades (1, 2) and the attachment combs (7).
- Lubricate the blades (1, 2) with oil (8).
- Keep the hair clipper set in a dry cool place out of reach of children and disabled persons.

DELIVERY SET

1. Hair clipper — 1 pc.
2. Attachment combs — 4 pcs.
3. Lubricating oil — 1 pc.
4. Cleaning brush — 1 pc.
5. Type-C cable — 1 pc.
6. Manual — 1 pc.

TECHNICAL SPECIFICATIONS

Hair clipper

- Power supply: 3.7 V built-in rechargeable battery Li-ion 2000 mAh
- Input voltage: 5 V, 1A
- Charging time: about 2.5 hours
- Operation time: about 2.5 hours

Power adapter

- Power supply: 100-240 V ~ 50-60 Hz
- Output voltage: 5 V, 1A
- Rated power consumption: 5 W



ATTENTION!

Don't use the unit near water in bathrooms, showers, swimming pools etc. during the battery charging or when powered by the adapter.

RECYCLING



To prevent possible damage to the environment or harm to the health of people by uncontrolled waste disposal, after expiration of the service life of the unit or the batteries (if included), do not discard them with usual household waste, take the

unit and the batteries to specialized stations for further recycling.

The waste generated during the disposal of products is subject to mandatory collection and consequent disposal in the prescribed manner.

For further information about recycling of this product apply to a local municipal administration, a disposal service or to the shop where you purchased this product.

The manufacturer preserves the right to change design and specifications which do not affect the principles of operation of the unit without a preliminary notification.

The unit operating life is 3 years

The manufacturing date is specified in the serial number.

In case of any malfunctions, it is necessary to apply promptly to the authorized service center.

HAARSCHNEIDEMASCHINE BR3405

Die elektrische Maschine ist für kurze Haarschnitte, Schnitte der Schnurrbarthaare und Barthaare bestimmt.

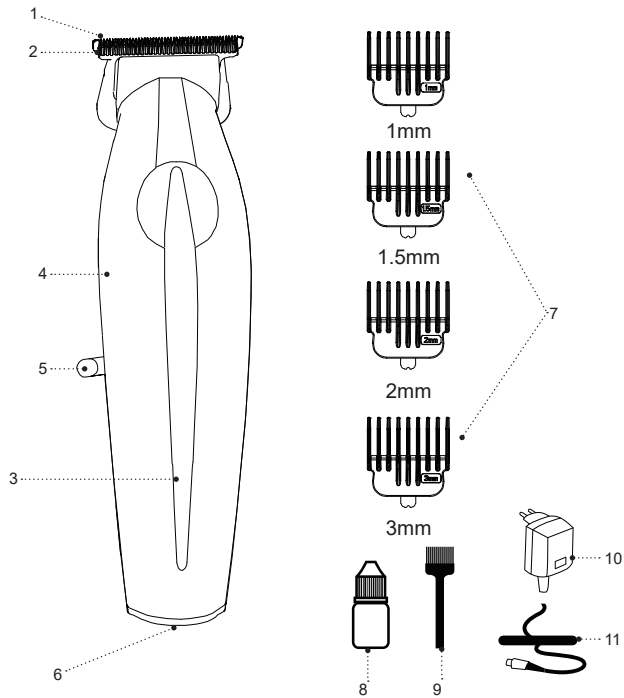
BESCHREIBUNG

1. Unbewegliche Klinge
2. Bewegliche Klinge
3. Ladeanzeige für die Akkumulatorenbatterie
4. Gehäuse
5. Netzschalter
6. Steckplatz für Laden der Akkumulatorenbatterie
7. Kammaufsätze «1 mm, 1.5 mm, 2 mm, 3 mm»
8. Schmieröl
9. Reinigungsbürste
10. Netzadapter (nicht im Lieferumfang enthalten)
11. Type-C Kabel



ACHTUNG!

Netzadapterbetriebs, in der Nähe von Wasser in Bädern, Duschen, Schwimmbädern usw.



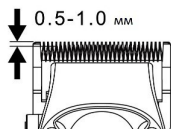


Abb. 1

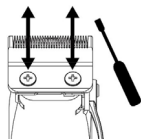


Abb. 2

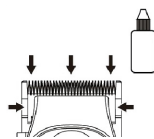


Abb. 3

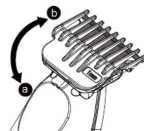


Abb. 4

SICHERHEITSHINWEISE UND BEDIENUNGSANLEITUNG

Bevor Sie das Haarschneideset benutzen, lesen Sie die Bedienungsanleitung aufmerksam durch und bewahren Sie sie zum späteren Gebrauch auf.

- Benutzen Sie die Haarschneidemaschine nur bestimmungsmäßig, wie es in dieser Betriebsanleitung beschrieben ist.
- Missbrauch des Geräts kann zu seiner Störung führen, den Benutzer oder sein Eigentum beschädigen und ist kein Garantiefall.
- Diese Haarschneidemaschine ist nur für den Hausgebrauch bestimmt, die professionelle Verwendung der Haarschneidemaschine ist verboten.
- Verwenden Sie die Haarschneidemaschine nur für trockenes, natürliches menschliches Haar.
- Verwenden Sie die Haarschneidemaschine, um keine Perücken oder Tierhaare zu schneiden.
- Stellen Sie sicher, dass die auf dem Etikett angegebene Betriebsspannung des Netzadapters mit der Netzspannung übereinstimmt.
- Das Verbindungskabel des Netzadapters darf mit heißen Gegenständen und Oberflächen, mit scharfen Möbelkanten in Berührung nicht kommen, in Wasser getaucht oder als Tragegriff für das Gerät verwendet werden.
- Vor der ersten Verwendung der Haarschneidemaschine ist es empfohlen, die Akkumulatorenbatterie vollständig aufzuladen.
- Laden Sie die Akkumulatorenbatterie bei der Temperatur von nicht unter 0°C und nicht über +35 °C auf.
- Berühren Sie das Gehäuse des Netzadapters mit nassen Händen nicht, während die Akkumulatorenbatterie geladen wird.
- Laden Sie die Akkumulatorenbatterie in unmittelbarer Nähe eines Spülbeckens, in Badezimmern, neben Schwimmbädern oder anderen mit Wasser gefüllten Behältern nicht auf.
- Falls das Gerät ins Wasser gefallen ist, ziehen Sie den Netzadapter aus der Steckdose sofort heraus, erst danach holen Sie die Haarschneidemaschine aus dem Wasser heraus.
- Beim Abtrennen des Netzadapters vom Stromnetz ziehen Sie kein Verbindungskabel, fassen Sie das Netzadaptergehäuse an und ziehen Sie diesen aus der Steckdose heraus.
- Es ist nicht empfohlen, die Akkumulatorenbatterie bei Gewitter aufzuladen.
- Benutzen Sie das Gerät in keinen Räumen mit erhöhter Temperatur und relativer Feuchtigkeit über 80%.
- Schützen Sie das Gerät vor Stößen, Stürzen, Vibrationen und anderen mechanischen Einwirkungen.
- Benutzen Sie das Gerät in direkter Nähe von Heizgeräten, Wärmequellen oder offenem Feuer nicht.
- Es ist verboten, das Gerät an den Orten, wo Sprays verwendet werden, sowie in der Nähe von leichtentzündbaren Flüssigkeiten zu benutzen.
- Benutzen Sie nur die mitgelieferten Kammaufsätze und Netzadapter.

- Vergewissern Sie sich vor der ersten Nutzung, dass die Klingeneinheit und der Kammaufsatz richtig aufgestellt sind.
- Verwenden Sie keine Haarschneidemaschine mit beschädigten Klingen oder Kammaufsätzen.
- Schalten Sie die Haarschneidemaschine aus, bevor Sie den Kammaufsatz oder die Klingeneinheit aufsetzen oder abnehmen.
- Achten Sie darauf, dass die Klingen immer sauber und mit Öl geschmiert sind.
- Nachdem die Haarschneidemaschine mit Netzadapter betrieben wurde, ziehen Sie den Netzadapter aus der Steckdose immer heraus.
- Schalten Sie die Haarschneidemaschine immer aus, wenn Sie sie nicht verwenden.
- Lassen Sie das eingeschaltete Gerät nie unbeaufsichtigt.
- Reinigen Sie das Gerät regelmäßig.
- Aus Sicherheitsgründen lassen Sie keine als Verpackung verwendeten Plastiktüten unbeaufsichtigt und für Kinder zugänglich.
- Lassen Sie Kinder die Klingen während des Maschinenbetriebs und das Netzadaptergehäuse bei der Aufladung der Akkumulatorenatterie nicht berühren.
- Besondere Vorsichtsmaßnahmen sind in den Fällen angesagt, wenn sich Kinder oder behinderte Personen während des Gerätebetriebs in der Nähe aufhalten.
- Während des Betriebs und der Pausen zwischen den Betriebszyklen stellen Sie das Gerät an einen für Kinder unzugänglichen Ort auf.
- Das Gerät ist für Personen (darunter Kinder) mit Körper-, Sensoroder Geistesstörungen oder Personen ohne ausreichende Erfahrung und Kenntnisse nicht geeignet, wenn sie sich unter Aufsicht der Person, die für ihre Sicherheit verantwortlich ist, nicht befinden oder entsprechende Anweisungen über die Gerätenutzung nicht bekommen haben.
- Es ist nicht gestattet, das Gerät selbständig zu reparieren. Es ist nicht gestattet, das Gerät selbständig auseinanderzunehmen. Bei jeden Störungen oder nach einem Sturz des Geräts wenden Sie sich an die Kundendienst.
- Um Beschädigungen zu vermeiden, transportieren Sie das Gerät nur in der Fabrikverpackung.
- Bewahren Sie das Gerät an einem trockenen, kühlen und für Kinder und behinderte Personen unzugänglichen Ort auf.

ACHTUNG! Lassen Sie Kinder mit Plastiktüten oder Verpackungsfolien nicht spielen. **Erstickungsgefahr!**

- Die Haarschneidemaschine ist nicht für Kinder bestimmt.
- Beaufsichtigen Sie Kinder, damit sie das Gerät als Spielzeug nicht benutzen.

DAS GERÄT IST NUR FÜR DEN GEBRAUCH IM HAUSHALT GEEIGNET, ES IST VERBOTEN, DAS GERÄT ZU INDUSTRIEODER LABORZWECKEN ZU BENUTZEN.

VOR DER ERSTEN NUTZUNG

Packen Sie das Gerät aus und warten Sie 3 Stunden, bevor Sie es bei einer negativen Temperatur transportieren oder bewahren.

- Packen Sie das Gerät aus und entfernen Sie alle Verpackungsmaterialien.
- Bewahren Sie die Originalverpackung auf.
- Lesen Sie die Sicherheitsmaßnahmen und Bedienungsempfehlungen.
- Prüfen Sie die Komplettheit.
- Prüfen Sie das Gerät auf Beschädigungen; wenn es beschädigt ist, schließen Sie es ans Stromnetz nicht an.
- Vergewissern Sie sich, dass die angegebenen Netzadapterversorgungsspannungsparameter und die Stromnetzparameter übereinstimmen. Beim 60-Hz-Stromnetz-Gerätebetrieb sind keine zusätzlichen Maßnahmen erforderlich.

AUFLADEN DER AKKUMULATORENBATTERIE

- Stellen Sie sicher, dass die Haarschneidemaschine ausgeschaltet ist.
- Stecken Sie den Stecker des Netzadapters (10) in den Steckplatz (6) ein.
- Stecken Sie den Netzadapter (10) in die Steckdose ein, dabei leuchtet die Ladeanzeige für die Akkumulatorenatterie (3) reinblau auf.
- Die Vollauf Ladungszeit der Akkumulatorenatterie beträgt ungefähr 3 Stunden, dabei leuchtet die

Ladeanzeige für die Akkumulatorenatterie (3) normalblau auf.

- Nachdem der Ladevorgang abgeschlossen ist, ziehen Sie den Netzadapter (10) aus der Steckdose heraus und ziehen Sie den Netzadapterstecker (10) aus dem Steckplatz (6) heraus.

ANMERKUNGEN:

- wenn die Akkumulatorenatterie ladung während des Betriebs unter 15% fällt, blinkt die Anzeige (8) blau;
- wenn sich die Geschwindigkeit der Klingen verringert hat und Sie weiterarbeiten müssen, laden Sie die Akkumulatorenatterie auf oder schließen Sie den Netzadapter an;
- laden Sie die Akkumulatoren bei der Temperatur von +5 °C bis +35 °C und relativer Feuchtigkeit nicht mehr als 80% auf;
- falls Sie das Gerät lange Zeit nicht benutzt haben, laden Sie die Akkumulatorenatterie vor der Gerätenutzung innerhalb von 2.5 Stunden auf.

KLINGEN (1, 2)

- Die Klingen (1, 2) sind Verbrauchsartikel und sie fallen unter keine Garantie.
- Der Verbraucher muss den Zustand der Schneidkanten (1, 2) selbst überwachen, da das Schärfen (Schleifen) der Schneidkanten der Klingen nicht in der Garantie enthalten ist.
- Prüfung, ob die Klingen richtig installiert sind

- Stellen Sie vor dem Schneiden sicher, dass die Klingen richtig ausgerichtet sind, die untere Klinge (1) sollte 0,5 – 1,0 mm beziehentlich der oberen Klinge (2) hinausragen (Abb. 1).
- Lösen Sie die Befestigungsschrauben der unteren Klinge (1) und richten Sie die Klinge (1) aus, ziehen Sie die Befestigungsschrauben fest (Abb. 2).

SCHMIEREN DER KLINGEN

- Die Klingen müssen nach jeder Benutzung von Haarresten gereinigt und mit Öl geschmiert werden, es wird auch empfohlen, die Klingen (1, 2) vor der Verwendung der Haarschneidemaschine zu schmieren.
- Verwenden Sie das mitgelieferte (8) oder für ähnliche Geräte vorgesehene Öl.
- Verwenden Sie keine pflanzlichen oder Lösungsmittel enthaltenden Öle, um die Klingen zu schmieren. Die Lösungsmittel können verdunsten, das verbleibende dicke Öl verlangsamt die Klingengeschwindigkeit.
- Tragen Sie das Schmieröl (8) auf die Kontaktstellen der unund beweglichen Klingenteile auf (Abb. 3).
- Schalten Sie die Maschine mit dem Netzschalter (5) ein und lassen Sie sie etwa 30 Sekunden lang laufen, um das Schmieröl über die reibenden Flächen der Klingen (1, 2) zu verteilen.
- Schalten Sie die Maschine mit dem Netzschalter (5) aus, entfernen Sie überschüssiges Öl mit einem Papiertuch oder einem trockenen Tuch.

AUFSTELLEN UND ENTFERNEN DES KAMMAUFSATZES

- Setzen Sie den gewünschten Kammaufsatz (7) auf die Klingen (1, 2) (Abb. 4).
- Setzen Sie die Rückseite «a» eines der Kammaufsätze (9) mit den Zähnen nach oben auf die Klingen und drücken Sie die Vorderseite «b» des Aufsatzes (7), bis er einrastet ist (Abb. 4). Vergewissern Sie sich vor dem Schneiden, dass der Aufsatz (7) sicher befestigt ist. Drücken Sie zum Entfernen des Kammaufsatzes (7) die Vorderseite «b» des Aufsatzes (7) und entfernen Sie den Aufsatz (Abb. 4).

ANWEISUNGEN ZUM FRISURMODELLIEREN

- Vor dem Haarschneiden schalten Sie die Haarschneidemaschine ein und vergewissern Sie sich, dass die Haarschneidemaschine störungsfrei funktioniert und sich die Klingen reibungslos bewegen, bei zu viel Schmieröl an den Klingen (1, 2) schalten Sie die Haarschneidemaschine aus und entfernen Sie überschüssiges Schmieröl mit einem Papiertuch oder einem trockenen Tuch.
- Setzen Sie die zu beschneidende Person mit ihrem Kopf auf Höhe Ihrer Brust hin.
- Für beste Ergebnisse schneiden Sie trockenes Haar. Schneiden Sie kein frisch gewaschenes Haar, trocknen Sie Ihr Haar mit einem Handtuch und fönen Sie es mit einem Haartrockner.
- Kämmen Sie Ihr Haar in der Wachstumsrichtung.

- Stellen Sie die Haarschneidemaschine immer entgegen der Haarwuchsrichtung um. Haar kann auch in der Wachstumsrichtung geschnitten werden, beachten Sie jedoch, dass entgegen der Wuchsrichtung geschnittenes Haar kürzer als in der Wachstumsrichtung geschnittenes Haar ist.
- Beim Haarschneiden bewegen Sie die Haarschneidemaschine langsam.

VERWENDUNG DER KAMMAUFSÄTZE

Die Kammaufsätze (7) sind für kurze Haarschnitte, Schnitte der Schnurrbarthaare und Barthaare bestimmt.

- Das Haarschneideset enthält die für verschiedene Haarlänge bestimmten Kammaufsätze (7): «1 mm, 1,5 mm, 2 mm, 3 mm».
- Um die Haarschneidemaschine besser zu beherrschen, beginnen Sie das Haarschneiden mit einem Kammaufsatz mit einer maximalen Haarlänge (7) — 3 mm.
- Stellen Sie für einen geraden Haarschnitt sicher, dass der Kammaufsatz vollständig am Kopf anliegt.
- Führen Sie die Haarschneidemaschine langsam über Haar, bewegen Sie sie in verschiedene Richtungen und machen Sie überlappende Bewegungen, um sicherzustellen, dass alle Kopfhairbereiche geschnitten sind.
- Kämmen Sie Ihr Haar in der Wachstumsrichtung, damit Sie es leichter mit der Haarschneidemaschine greifen können.

- Für ein gerades Schneiden von lockigem, dünnem oder langem Haar verwenden Sie einen Kamm, um Haar zur Klingeneinheit (1, 2) zu richten.
- Reinigen Sie den Kammaufsatz regelmäßig von geschnittenem Haar mit einer Bürste (9).
- In der letzten Stufe der Frisurmodellierung nehmen Sie den aufgesetzten Kammaufsatz (7) von der Haarschneidemaschine ab, drehen Sie die Haarschneidemaschine mit den Klingen zum Haar und schneiden Sie Haar vorsichtig an den Schläfen und am Hals gerade. Bevor Sie eine Kontur schaffen, kämmen Sie die Haarende über den Ohren. Biegen Sie das Ohr der zu beschneidenden Person leicht ab, damit es beim Haarschneiden nicht hindert. Drücken Sie die Haarschneidemaschine kräftig nicht, der Kontakt offener Klingen und Haut kann zu Schnittwunden oder Verletzungen führen.
- Schalten Sie das Gerät nach Abschluss des Haarschnitts mit dem Netzschalter (5) aus.
- Entfernen Sie den installierten Kammaufsatz (Abb. 4), reinigen Sie ihn von Haaren, reinigen Sie die Klingen (1, 2), verwenden Sie dazu die Bürste (9).
- Schmieren Sie die Klingen.

SCHNITTE DER SCHNURRBARTHAARE UND BARTHAARE

- Kämmen Sie den Schnurrbart und den Bart vor dem Schnitt mit einem Kamm.
- Die Höhe des zu schneidenden Haares hängt von dem verwendeten Kammaufsatz (7) ab: «1 mm, 1,5 mm, 2 mm, 3 mm».

- Beginnen Sie mit dem Kammaufsatz (7) «3 mm», verwenden Sie bei Bedarf andere Kammaufsätze (7) für einen kürzeren Haarschnitt.
- Schalten Sie die Maschine mit dem Netzschalter (5) ein, bevor Sie den Schnurrbart- oder Bartschnitt beginnen, stellen Sie sicher, dass die Maschine fehlerfrei funktioniert und der Lauf des Klingenblocks (1, 2) reibungslos verläuft.
- Um das Haar effektiv zu trimmen, bewegen Sie die Haarschneidemaschine gegen die Richtung des Haarwachstums. Achten Sie darauf, dass die Oberfläche des Kammaufsatzes (7) immer mit der Haut in Berührung kommt.
- Im Allgemeinen wachsen Haare nicht in eine Richtung, daher können Sie verschiedene Schnittrichtungen ausprobieren, indem Sie die Haarschneidemaschine entgegen der Haarwuchsrichtung, entlang der Haarwuchsrichtung oder quer zur Haarwuchsrichtung bewegen.
- Entfernen Sie den eingesetzten Aufsatz (7) von den Klingen (1, 2), um den Schnurrbart zu trimmen, den Bart zu konturieren und unerwünschte Haare zu schneiden.
- Drehen Sie die Klingen der Haarschneidemaschine in Richtung des Haares und trimmen Sie die Schnurrbarthaare und Barthaare vorsichtig. Um die Hautverletzung oder Schnittwunden durch die offenen Klingen zu vermeiden, drücken Sie stark auf die Haarschneidemaschine nicht.
- Reinigen Sie den Kammaufsatz regelmäßig mit der Bürste (9) von geschnittenen Haaren.
- Schalten Sie das Gerät nach Abschluss des Haarschnitts mit dem Netzschalter (5) aus.
- Entfernen Sie den installierten Kammaufsatz (7) (Abb. 4), reinigen Sie ihn von Haaren, reinigen Sie die Klingen (1, 2), verwenden Sie dazu die Bürste (9).
- Schmieren Sie die Klingen (1, 2) (Abb. 3).

REINIGUNG UND PFLEGE

- Schalten Sie die Haarschneidemaschine nach Gebrauch aus.
- Entfernen Sie den installierten Kammaufsatz (7) (Abb. 4) und reinigen Sie ihn von Haaren mit der Bürste (9).
- Reinigen Sie die Klingeneinheit (1,2) (Abb. 4) und den Innenraum des Haarschneidemaschinengehäuses unter der Klingeneinheit (1,2) mit der Bürste (9). Spülen Sie die Klingeneinheit (6) und den Innenraum des Haarschneidemaschinengehäuses unter keinem fließenden Wasser ab.
- Wischen Sie das Haarschneidemaschinengehäuse (4) mit einem weichen, leicht angefeuchteten Tuch ab, danach trocknen Sie es ab.
- Verwenden Sie keine Scheueroder Lösungsmittel, um das Haarschneidemaschinengehäuse (4), den Netzadapter (4) und die Kammaufsätze (7) zu reinigen.
- Es ist nicht gestattet, die Haarschneidemaschine, den Netzadapter ins Wasser oder jegliche anderen Flüssigkeiten einzutauchen.
- Schmieren Sie die Klingen (1, 2) nach jedem Gebrauch mit Schmieröl (8) ein.

AUFBEWAHRUNG

- Bevor Sie die Haarschneidemaschine zur Aufbewahrung wegnehmen, reinigen Sie das Maschinengehäuse (4), die Klingen (1, 2) und die Kammaufsätze (7).
- Schmieren Sie die Klingen (1, 2) mit Schmieröl (8).
- Bewahren Sie das Haarschneideset an einem trockenen, kühlen und für Kinder und behinderte Personen unzugänglichen Ort auf.

LIEFERUMFANG

1. Haarschneidemaschine — 1 Stk.
2. Kammaufsätze — 4 Stk.
3. Schmieröl — 1 Stk.
4. Reinigungsbürste — 1 Stk.
5. Typ-C-Kabel — 1 Stk.
6. Bedienungsanleitung— 1 Stk.

TECHNISCHE EIGENSCHAFTEN

Haarschneidemaschine

- Stromversorgung: 3,7 V, eingebauter 2000 mAh Li-Ion Akkumulatoren-batterie
- Eingangsspannung: 5 V 1A
- Ladezeit: ungefähr 2,5 Stunden
- Betriebszeit: ungefähr 2,5 Stunden

Netzadapter

- Stromversorgung: 100-240 V ~ 50-60 Hz
- Ausgangsspannung: 5 V 1A
- Nennleistungsaufnahme: 5 W



ACHTUNG! Verwenden Sie das Gerät nicht während des Ladevorgangs der Akkumulatoren-batterie und des Netzadapterbetriebs, in der Nähe von Wasser in Bädern, Duschen, Schwimmbädern usw.

ENTSORGUNG



Um möglichen Schaden für die Umwelt oder die menschliche Gesundheit durch unkontrollierte Abfallentsorgung zu vermeiden, werfen Sie das Gerät und die Batterien (falls mitgeliefert) nach Beendigung ihrer Nutzungsdauer zusammen mit gewöhnlichen Haushaltsabfällen nicht weg, geben Sie das Gerät und die Batterien in die Spezialpunkte für weitere Entsorgung über.

Die bei Entsorgung der Erzeugnisse entstehenden Abfälle sind unbedingt zu sammeln und weiter ordnungsmäßig zu entsorgen.

Weitere Informationen zur Entsorgung dieses Produktes erhalten Sie bei Ihrer lokalen Stadtverwaltung, einem Abfallentsorgungsdienst oder beim Geschäft, wo Sie dieses Produkt gekauft haben.

Der Hersteller behält sich das Recht vor, das Design, die Konstruktion und die das gemeine Gerätebetriebsprinzip nicht beeinflussenden technischen Eigenschaften ohne Vorbenachrichtigung zu verändern.

Die Gerätenutzungsdauer beträgt 3 Jahre

Das Herstellungsdatum ist in der Fabrikationsnummer angegeben.

Bei Störungsfeststellung wenden Sie sich baldigst an einen autorisierten Kundendienst.

МАШИНКА ДЛЯ СТРИЖКИ ВОЛОС BR3405

Электрическая машинка предназначена для короткой стрижки волос, стрижки усов и бороды.

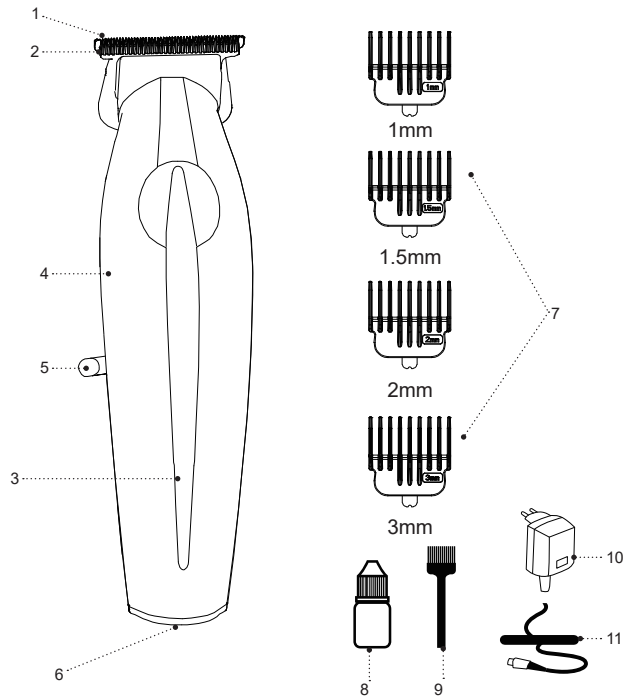
ОПИСАНИЕ

1. Фиксированное лезвие
2. Подвижное лезвие
3. Индикатор зарядки аккумуляторной батареи
4. Корпус
5. Выключатель питания
6. Гнездо зарядки аккумуляторной батареи
7. Насадки-расчёски «1 мм, 1,5 мм, 2 мм, 3 мм»
8. Смазочное масло
9. Щёточка для чистки
10. Сетевой адаптер (не входит в комплект поставки)
11. Кабель Type-C



ВНИМАНИЕ!

Не использовать прибор во время зарядки аккумуляторной батареи и работе от сетевого адаптера, вблизи воды в ваннных комнатах, душевых, бассейнах и т.д.



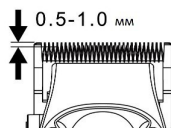


Рис. 1

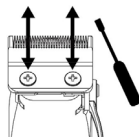


Рис. 2

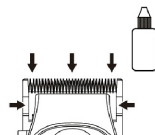


Рис. 3

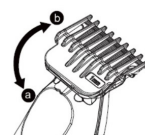


Рис. 4

МЕРЫ БЕЗОПАСНОСТИ И РЕКОМЕНДАЦИИ ПО ЭКСПЛУАТАЦИИ

Перед использованием набора для стрижки волос внимательно ознакомьтесь с руководством по эксплуатации, после прочтения сохраните его для использования в будущем.

- Используйте машинку для стрижки только по прямому назначению, как изложено в данной инструкции.
- Неправильное обращение с устройством может привести к его поломке, причинению вреда пользователю или его имуществу и не является гарантийным случаем.
- Данная машинка для стрижки предназначена только для бытового использования, запрещается профессиональное использование машинки для стрижки.
- Используйте машинку для стрижки только сухих естественных человеческих волос.
- Запрещается использовать машинку для стрижки искусственных париков или шерсти животных.
- Убедитесь, что рабочее напряжение сетевого адаптера, указанное на этикетке, соответствует напряжению электросети.
- Соединительный шнур сетевого адаптера не должен соприкасаться с горячими предметами и поверхностями, с острыми кромками мебели, погружаться в воду и использоваться в качестве ручки для переноски устройства.
- Перед первым использованием машинки для стрижки, рекомендуется провести полную зарядку аккумуляторной батареи.
- Производите зарядку аккумуляторной батареи при температуре не ниже 0°C и не выше +35°C.
- Во время зарядки аккумуляторной батареи, запрещается прикасаться мокрыми руками к корпусу сетевого адаптера.
- Запрещается проводить зарядку аккумуляторной батареи в непосредственной близости от кухонной раковины, в ванных комнатах, около бассейнов или других ёмкостей, наполненных водой.
- Если устройство упало в воду, немедленно выньте сетевой адаптер из электрической розетки, и только после этого можно достать машинку для стрижки из воды.
- При отключении сетевого адаптера не тяните за соединительный шнур, возьмитесь за корпус сетевого адаптера и выньте его из электрической розетки.
- Не рекомендуется заряжать аккумуляторную батарею во время грозы.
- Не используйте устройство в местах с повышенной температурой и относительной влажностью более 80%.
- Оберегайте устройство от ударов, падений, вибраций и иных механических воздействий.
- Не используйте устройство в непосредственной близости от нагревательных приборов, источников тепла или открытого пламени.

- Запрещается использовать устройство в местах, где используются или распыляются аэрозоли, а также вблизи от легковоспламеняющихся жидкостей.
- Используйте насадки-расчёски, которые входят в комплект поставки.
- Перед началом работы убедитесь, что лезвия и насадка-расчёска установлены правильно.
- Запрещается использовать машинку для стрижки с повреждёнными лезвиями или насадками-расчёсками.
- Выключайте машинку перед установкой или снятием насадки-расчёски.
- Следите за чистотой лезвий и наличием на них смазочного масла.
- После каждого использования очищайте лезвия и насадку-расчёску от срезанных волос при помощи щёточки.
- Всегда выключайте машинку для стрижки, когда вы ей не пользуетесь.
- Не оставляйте работающее устройство без присмотра.
- После использования машинки при работе от сетевого адаптера, всегда вынимайте сетевой адаптер из электрической розетки.
- Регулярно проводите чистку устройства.
- Из соображений безопасности не оставляйте полиэтиленовые пакеты, используемые в качестве упаковки, без присмотра и в местах доступных для детей.

ВНИМАНИЕ! Не разрешайте детям играть с полиэтиленовыми пакетами или упаковочной плёнкой. **Опасность удушья!**

- Машинка для стрижки не предназначена для использования детьми.
- Осуществляйте надзор за детьми, чтобы не допустить использования устройства в качестве игрушки.
- Не разрешайте детям во время работы машинки прикасаться к лезвиям, а во время зарядки аккумуляторной батареи прикасаться к корпусу сетевого адаптера.
- Будьте особенно внимательны, если поблизости от работающего устройства находятся дети или лица с ограниченными возможностями.
- Во время работы и в перерывах между рабочими циклами размещайте устройство в местах, недоступных для детей.
- Прибор не предназначен для использования лицами (включая детей) с пониженными физическими, сенсорными или умственными способностями, или при отсутствии у них жизненного опыта или знаний, если они не находятся под присмотром или не проинструктированы об использовании прибора лицом, ответственным за их безопасность.
- Запрещается самостоятельно ремонтировать устройство. Не разбирайте устройство самостоят-

тельно. При возникновении любых неисправностей, а также после падения устройства обратитесь сервисный центр.

- Во избежание повреждений перевозите устройство в заводской упаковке.
- Храните устройство в сухом прохладном месте, недоступном для детей и людей с ограниченными возможностями.

УСТРОЙСТВО ПРЕДНАЗНАЧЕНО ТОЛЬКО ДЛЯ БЫТОВОГО ИСПОЛЬЗОВАНИЯ, ЗАПРЕЩАЕТСЯ ИСПОЛЬЗОВАТЬ УСТРОЙСТВО В КОММЕРЧЕСКИХ ИЛИ ЛАБОРАТОРНЫХ ЦЕЛЯХ.

ПЕРЕД ПЕРВЫМ ИСПОЛЬЗОВАНИЕМ

После транспортировки или хранения устройства при отрицательной температуре, распакуйте его и подождите 3 часа перед использованием.

- Распакуйте устройство и удалите все упаковочные материалы.
- Сохраните заводскую упаковку.
- Ознакомьтесь с мерами безопасности и рекомендациями по эксплуатации.
- Проверьте комплектацию.
- Осмотрите устройство на наличие повреждений, при наличии повреждений не включайте его.
- Убедитесь, что указанные параметры напряжения питания сетевого адаптера, соответствуют параметрам электрической сети. При использовании устройства в электрической сети частотой 60 Гц, никаких дополнительных действий не требуется.

ЗАРЯДКА АККУМУЛЯТОРНОЙ БАТАРЕИ

- Убедитесь, что машинка для стрижки выключена.
- Вставьте разъем сетевого адаптера (10) в гнездо (6).
- Вставьте сетевой адаптер (10) в электрическую розетку, при этом индикатор зарядки аккумуляторной батареи (3) загорится ярким синим цветом.
- Время полной зарядки аккумуляторной батареи около 2,5 часов, при этом индикатор зарядки аккумуляторной батареи (3) будет светиться нормальным синим цветом.
- Завершив зарядку, выньте сетевой адаптер (10) из электрической розетки и выньте разъем сетевого адаптера (10) из гнезда (6).

Примечания:

- если во время работы, заряд аккумуляторной батареи упадет ниже 15%, индикатор (3) будет мигать синим цветом;
- если скорость перемещения лезвий снизилась, а вам необходимо продолжить работу, то подзарядите аккумуляторную батарею или подключите сетевой адаптер;
- производите зарядку аккумуляторов при температуре от +5° С до +35° С при относительной влажности воздуха не более 80%;
- если вы не пользовались устройством продолжительное время, перед использованием устройства произведите зарядку аккумуляторной батареи в течение 2,5 часов.

ЛЕЗВИЯ (1, 2)

- Лезвия (1,2) является расходным материалом, гарантийные обязательства на них не распространяются.
- За состоянием режущих кромок лезвий (1, 2) потребитель обязан следить самостоятельно, поскольку заточка (шлифовка) режущих кромок лезвий не входит в гарантийные обязательства.

Проверка правильности установки лезвий

- Перед началом стрижки, убедитесь, что лезвия выставлены правильно, нижнее лезвие (1) должно выступать на 0,5 – 1,0 мм относительно верхнего лезвия (2) (рис. 1).
- Ослабьте крепёжные винты нижнего лезвия (1) и выровняйте лезвие (1), затяните крепёжные винты (рис. 2).

СМАЗКА ЛЕЗВИЙ

- Лезвия необходимо очищать от остатков волос и смазывать маслом после каждого использования, так же рекомендуется смазать лезвия (1, 2) и перед использованием машинки для стрижки.
- Используйте масло (8), входящее в комплект поставки или масло, предназначенное для аналогичных устройств.
- Запрещается использовать для смазки лезвий растительные масла или масла в состав которых входят растворители. Растворители подвержены испарению, а оставшееся густое масло замедлит скорость перемещения лезвий.

- Нанесите смазочное масло (8) в места контакта подвижной и неподвижной части лезвий (1, 2) (рис. 3).
- Включите машинку выключателем питания (5) и дайте ей поработать примерно 30 секунд для распределения смазочного масла по трущимся поверхностям лезвий (1, 2).
- Выключите машинку выключателем питания (5), удалите излишки масла бумажной салфеткой или сухой тканью.

УСТАНОВКА И СНЯТИЕ НАСАДКИ-РАСЧЁСКИ

- Установите нужную насадку-расчёску (7) на лезвия (1, 2) (рис. 4).
- Установите заднюю часть «а» одной из насадок-расчёсок (7) на лезвия зубьями вверх и нажмите на переднюю часть «b» насадки (7) до её фиксации (рис. 4). Перед началом стрижки, убедитесь, что насадка (7) надёжно зафиксирована. Для снятия насадки-расчёски (7) нажмите на переднюю часть «b» насадки (7) и снимите насадку (рис. 4).

ИНСТРУКЦИИ ПО МОДЕЛИРОВАНИЮ ПРИЧЁСКИ

- Перед началом стрижки включите машинку и убедитесь, что машинка работает без сбоев, а ход лезвий плавный, при избытке на лезвиях (1, 2) смазочного масла выключите машинку и удалите

- излишки смазочного масла бумажной салфеткой или сухой тканью.
- Посадите человека таким образом, чтобы голова человека, которого вы подстригаете, находилась на уровне вашей груди.
- Для достижения наилучших результатов, подстригайте сухие волосы. Не стригите только что вымытые волосы, вытрите волосы полотенцем и просушите феном.
- Расчешите волосы в направлении их роста.
- Всегда перемещайте машинку для стрижки против направления роста волос. Волосы можно стричь и по направлению роста, но имейте в виду, что волосы, подстриженные против направления роста, будут короче волос, подстриженных по направлению роста.
- Подстригая волосы, перемещайте машинку медленно.

ИСПОЛЬЗОВАНИЕ НАСАДОК-РАСЧЁСОК

Насадки-расчёски (7) предназначены для короткой стрижки волос, стрижки усов и бороды.

- В комплект машинки для стрижки входят насадки-расчёски (7), предназначенные для различных длин оставляемых волос: «1 мм, 1,5 мм, 2 мм, 3 мм».
- Для лучшего освоения машинки для стрижки, начинайте стричь волосы с насадкой-расчёской с максимальной длиной оставляемых волос (7) — 3 мм.
- Для ровной стрижки следите за тем, чтобы насадка-расчёска полностью прилегала к голове.
- Медленно проводите машинкой по волосам, перемещая ее в разных направлениях, делайте перекрывающие движения, чтобы убедиться, что подстрижены все участки волос на голове.
- Расчесывайте волосы по направлению их роста чтобы легче захватить их машинкой во время стрижки.
- Для получения ровной стрижки вьющихся волос, редких волос или длинных волос пользуйтесь расческой для направления волос на лезвия (1, 2).
- Периодически очищайте насадку-расчёску от состриженных волос, используя щёточку (9).
- В заключительной стадии моделирования причёски снимите с машинки установленную насадку-расчёску (7), разверните машинку лезвиями в сторону волос и аккуратно подровняйте волосы на висках и на шее. Прежде чем создать контур, расчешите кончики волос над ушами. Слегка отогните ухо человека, которого вы стрижете, чтобы оно не мешало стрижке. Не давите на машинку с силой, при контакте открытых лезвий с кожей можно получить порезы или травму. Завершив стрижку, выключите машинку выключателем питания (5).
- Снимите установленную насадку-расчёску (7) (рис. 4), очистите её от волос, очистите лезвия (1, 2), используйте для чистки щёточку (9).
- Смажьте лезвия (1, 2) (рис. 3).

СТРИЖКА УСОВ И БОРОДЫ

- Перед стрижкой расчешите усы и бороду расчёской.
- Высота срезаемых волос зависит от используемой насадки-расчёски (7): «1 мм, 1,5 мм, 2 мм, 3 мм».
- Начните с использования насадки-расчёски (7) «3 мм», при необходимости, используйте другие насадки-расчёски (7) для более короткой стрижки.
- Перед началом стрижки усов или бороды, включите машинку выключателем питания (5), убедитесь, что машинка работает без сбоев, а ход блока лезвий (1, 2) – плавный.
- Для эффективного подравнивания волос, перемещайте машинку для стрижки против направления роста волос. Следите за тем, чтобы поверхность насадки-расчёски (7) всегда соприкасалась с кожей.
- Как правило волосы не растут в одном направлении, поэтому вы можете попробовать разные направления стрижки, перемещая машинку для стрижки против направления роста волос, по направлению роста волос или поперек направления роста волос.
- Для подравнивания усов, создания контура бороды и срезания нежелательных волос, снимите с лезвий (1, 2) установленную насадку (7).
- Разверните машинку лезвиями в сторону волос и аккуратно подровняйте волосы на усах и бороде. Не надавливайте сильно на машинку, при контакте открытых лезвий с кожей можно получить порезы или травму.
- Периодически очищайте насадку-расчёску от состриженных волос, используя щёточку (9).

- Завершив стрижку, выключите машинку выключателем питания (5).
- Снимите установленную насадку-расчёску (7) (рис. 4), очистите её от волос, очистите лезвия (1, 2), используйте для чистки щёточку (9).
- Смажьте лезвия (1, 2) (рис. 3).

ЧИСТКА И УХОД

- Выключите машинку для стрижки после её использования.
- Снимите установленную насадку-расчёску (7) (рис. 4) и очистите её от волос, используя щёточку (9).
- Используя щёточку (9) очистите лезвия (1, 2). Запрещается промывать лезвия (1, 2) под струёй воды.
- Корпус (4) машинки для стрижки протирайте мягкой слегка влажной тканью, после чего вытрите насухо.
- Запрещается использовать для чистки корпуса (4) машинки, насадок-расчёсок (7) абразивные чистящие средства или растворители.
- Запрещается погружать машинку для стрижки, сетевой адаптер в воду или любые другие жидкости.
- После каждого использования смазывайте лезвия (1, 2) смазочным маслом (8).

ХРАНЕНИЕ

- Прежде чем убрать машинку для стрижки на хранение, произведите чистку корпуса машинки (4), лезвий (1, 2) и насадок-расчёсок (7).
- Смажьте лезвия (1, 2) смазочным маслом (8).

- Храните набор для стрижки в сухом прохладном месте, недоступном для детей и людей с ограниченными возможностями.

КОМПЛЕКТ ПОСТАВКИ

1. Машинка для стрижки — 1 шт.
2. Насадки-расчёски — 4 шт.
3. Смазочное масло — 1 шт.
4. Щётка для чистки — 1 шт.
5. Туре-С кабель — 1 шт.
6. Инструкция — 1 шт.

ТЕХНИЧЕСКИЕ ХАРАКТЕРИСТИКИ

Машинка для стрижки

- Электропитание: 3,7 В, встроенная аккумуляторная батарея Li-ion 2000 мАч
- Входное напряжение: 5 В 1А
- Время зарядки: около 2,5 часов
- Время работы: около 2,5 часов

Сетевой адаптер

- Электропитание: 100-240 В ~50-60 Гц
- Выходное напряжение: 5 В 1А
- Номинальная потребляемая мощность: 5 Вт



ВНИМАНИЕ!

Не использовать прибор во время зарядки аккумуляторной батареи и работе от сетевого адаптера, вблизи воды в ванных комнатах, душевых, бассейнах и т.д.

УТИЛИЗАЦИЯ



Чтобы предотвратить возможный вред окружающей среде или здоровью людей от неконтролируемой утилизации отходов, после окончания срока службы устройства или элементов питания (если входят в комплект), не выбрасывайте их вместе с обычными бытовыми отходами, передайте прибор и элементы питания в специализированные пункты для дальнейшей утилизации.

Отходы, образующиеся при утилизации изделий, подлежат обязательному сбору с последующей утилизацией в установленном порядке.

Для получения дополнительной информации об утилизации данного продукта обратитесь в местный муниципалитет, службу утилизации бытовых отходов или в магазин, где Вы приобрели данный продукт.

Производитель сохраняет за собой право изменять дизайн, конструкцию и технические характеристики, не влияющие на общие принципы работы устройства, без предварительного уведомления.

Срок службы устройства — 3 года

Дата производства указана в серийном номере.

В случае обнаружения каких-либо неисправностей срочно необходимо обратиться в авторизованный сервисный центр.

ШАШ ҚЫРҚАТЫН МАШИНА BR3405

Электрлік машина қысқа шашты қырқуға, мұрт пен сақалды алуға арналған.

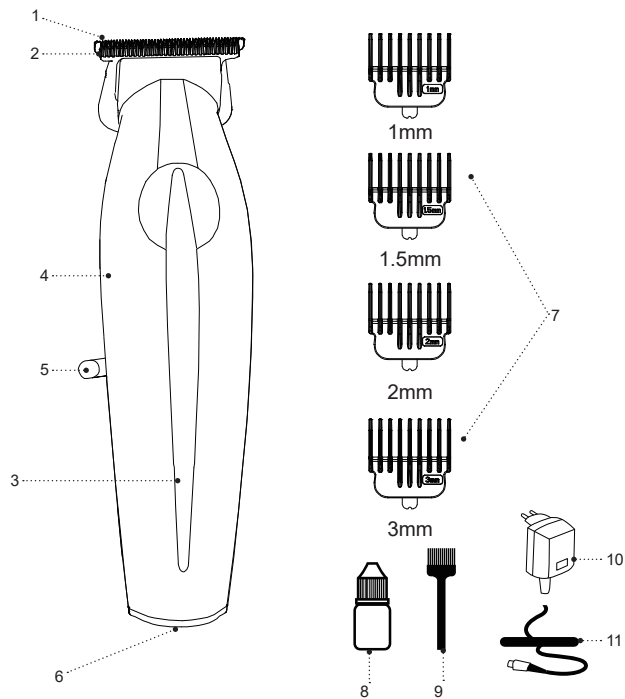
СИПАТТАМАСЫ

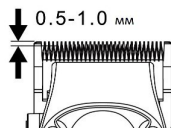
1. Қозғалмайтын жүз
2. Қозғалмалы жүз
3. Аккумуляторлық батареяны қуаттау индикаторы
4. Корпусы
5. Қуаттандыруды өшіргіш
6. Аккумуляторлық батареяны зарядтауға арналған ұя
7. Қондырма-тарақтар «1 мм, 1,5 мм, 2 мм, 3 мм»
8. Майлайтын май
9. Тазалауға арналған қылшақ
10. Желілік адаптер (жеткізуге кірмейді)
11. Type-C



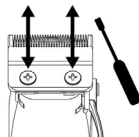
НАЗАР АУДАРЫҢЫЗ!

Аспапты аккумуляторлық батареяны қуаттаған кезде және желілік адаптерден жұмыс істегенде және ванна бөлмесінің, душтың, бассейннің қасында қолдануға болмайды.

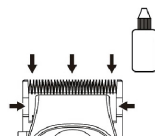




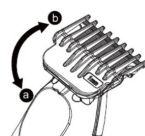
Cyp. 1



Cyp. 2



Cyp. 3



Cyp. 4

ҚАУІПСІЗДІК ШАРАЛАРЫ ЖӘНЕ ҚОЛДА- НУҒА БЕРУ ЖӨНІНДЕГІ НҰСҚАУЛЫҚ

Шаш қарқатын жинақты пайдалану алдында, қолдану жөніндегі басшылықпен мұқият танысыңыз, оқыған соң, болашақта пайдалану үшін сақтап қойыңыз.

- Шаш қарқатын машинаны осы нұсқаулықта баяндалғандай, оның тікелей мақсаты бойынша ғана пайдаланыңыз.
- Құрылғыны дұрыс қолданбау оның бұзылуына, және пайдаланушыға немесе оның мүлкіне зиян келтіруі мүмкін және кепілдік жағдайы болып табылмайды.
- Осы шаш қарқатын машина тек тұрмыстық пайдалануға ғана арналған, шаш қарқатын машинаны кәсіби тұрғыда пайдалануға тыйым салынады.
- Шаш қарқатын машинаны тек құрғақ табиғи адам шашына ғана пайдаланыңыз.
- Шаш қарқатын машинаны жасанды париктерді немесе жануарлардың жүнін қырку үшін пайдалануға тыйым салынады.
- Заттаңбада көрсетілген желілік адаптердің жұмыс көрнеуі электр желісінің көрнеуіне сәйкес екеніне көз жеткізіңіз.
- Желілік адаптердің қосатын бауы ыстық заттармен және беттермен, жиһаздың өткір жиектерімен жана-сплауы керек, суға батырылмауы қажет және құралды тасымалдауға арналған сап ретінде пайдалануға болмайды.
- Алғашқы рет пайдалану алдында шаш қарқатын машинаның аккумулятор батареясын толық зарядтауға кеңес беріледі.
- Аккумуляторлық батареяны қуаттауды 0°C төмен емес және +35°C жоғары емес температурада жүргізіңіз.
- Аккумуляторлық батареяны қуаттаған кезде желілік адаптердің корпусына дым-қыл қолмен тиісуге тыйым салынады.
- Аккумуляторлық батареяны ас үй раковинасына тікелей жақын жерде, ванна бөлмелерінде, бассейндердің жанында немесе сумен толтырылған басқа да сыйымдылықтардың жанында пайдалануға тыйым салынады.
- Егер құрал суға түсіп кетсе, дереу желілік адаптерді электр розеткасынан сурып алыңыз, содан кейін ғана шаш қарқатын машинаны судан алып шығуға болады.
- Желілік адаптерді өшірген кезде қосатын баудан тартпаңыз, желілік адаптер корпусынан ұстаңыз және оны электр розеткасынан суырып алыңыз.
- Аккумуляторлық батареяны найзағай кезінде қуаттауға кеңес беріледі.
- Құрылғыны температурасы жоғары және салыстырмалы ылғалдылығы 80%-дан асатын орындарда қолданбаңыз.
- Құрылғыны соққыдан, құлаудан, дірілден және басқа да механикалық әсерлерден сақтаңыз.
- Құрылғыны жылу көздерінің, жылыту аспаптарының немесе ашық оттың тікелей жанында пайдаланбаңыз.

- Құрылғыны аэрозольдар пайдаланылатын немесе шашырайтын жерлерде, сондай-ақ тез тұтанатын сұйықтықтарға жақын жерлерде пайдалануға тыйым салынады.
- Жеткізілім жиынтығына кіретін қондырма-тарақ пен желілік адаптерді пайдаланыңыз.
- Жұмысты бастамас бұрын жүздер блогы мен қондырма-тарақтың дұрыс орнатылғанына көз жеткізіңіз.
- Зақымданған жүздері немесе қондырма-тарақтары бар шаш қырқатын машинаны пайдалануға тыйым салынады.
- Қондырма-тарақты немесе жүздер блогын орнату немесе шешіп алу алдында машинаны сөндіріңіз.
- Жүздердің тазалығы мен оларда майлайтын майлардың болуын қадағалаңыз.
- Әрбір пайдаланғаннан кейін қылшақшаның көмегі арқылы жүздер блогын және қондырма-тарақты қырқылған шаштан тазалап тұрыңыз.
- Шаш қырқатын машинаны пайдаланбасаңыз, әрқашан оны өшіріп отырыңыз.
- Машина желілік адаптерден жұмыс істегеннен кейін әрқашан желілік адаптерді электр розеткасынан алып тастап отырыңыз.
- Жұмыс істеп тұрған құрылғыны қараусыз қалдырмаңыз.
- Құрылғыны мезгілімен тазалап тұрыңыз.
- Қауіпсіздік мақсатында қаптама ретінде пайдаланылатын, полиэтилен пакеттерді қараусыз және балаларға қолжетімді жерлерде қалдырмаңыз.

НАЗАР АУДАРЫҢЫЗ! Балаларға полиэтилен пакеттермен немесе қаптамалық үлдірмен ойнауға рұқсат етпеңіз. **Тұншығу қаупі бар!**

- Шаш қырқатын машина балалардың пайдалануына арналмаған.
- Құрылғыны ойыншық ретінде пайдалануға жол бермеу үшін, балаларды қадағалаңыз.
- Машинамен жұмыс істеу кезінде балаларға жүздерге, аккумулятор батареясын қуаттау кезінде желілік адаптердің корпусына қол тигізуге рұқсат бермеңіз.
- Егер жұмыс істеп тұрған құрылғыға жақын жерде балалар немесе мүмкіндігі шектеулі адамдар болса, әсіресе мұқият болыңыз.
- Жұмыс істеу уақытында және жұмыс циклдары арасындағы үзілістерде құрылғыны балалардың қолы жетпейтін жерде орналастырыңыз.
- Дене, сенсорлық немесе ақыл-сана мүмкіндіктері төмендетілген тұлғалардың (балаларды қоса) немесе оларда тәжірибесі немесе білімі болмаса, егер олар бақыланбаса немесе олардың қауіпсіздігі үшін жауап беретін тұлғамен аспапты пайдалану туралы нұсқаулықтар берілген болмаса, аспап олардың пайдалануына тағайындалмаған.
- Құралды өздігіңізден жөндеуге тыйым салынады. Құралды өздігінен жөндеуге болмайды. Кез-келген ақаулықтар пайда болған жағдайда, сондай-ақ құрал құлаған кезде сервис орталығына жүгініңіз.
- Құрылғыны зақымдамау үшін, оны тек зауыт қаптама-сында тасымалдаңыз.

- Құрылғыны салқын және құрғақ, балалардың және мүмкіндігі шектеулі адамдардың қолы жетпейтін жерде сақтаңыз.

**ҚҰРЫЛҒЫ ТЕК ТҰРМЫСТЫҚ ПАЙДАЛАНЫМҒА ҒАНА АРНАЛҒАН, ҚҰРЫЛҒЫНЫ КОМЕРЦИЯЛЫҚ НЕМЕСЕ ЗЕРТХАНАЛЫҚ МАҚСАТТАРДА ПАЙДАЛА-
НУҒА ТЫЙЫМ САЛЫНАДЫ.**

АЛҒАШ РЕТ ПАЙДАЛУ АЛДЫНДА

**Құрылғыны төмен температурада тасымалдаған-
нан немесе сақтағаннан кейін оны қаптамадан
шығарыңыз және пайдаланудың алдында 3 сағат
күтіңіз.**

- Құрылғыны қаптамадан шығарыңыз және барлық қаптама материалдарын жойыңыз.
- Зауыт қаптамасын сақтап қойыңыз.
- Қауіпсіздік шаралары мен пайдалануға беруге қатысты ұсыныстармен танысыңыз.
- Жинақталымын тексеріңіз.
- Құрылғыны зақымдануына қатысты тексеріп алыңыз, зақымдануы болған жағдайда оны желіге қоспаңыз.
- Желілік адаптерде көрсетілген қуаттандыру кернеуінің параметрлері электр желісінің параметрлеріне сәйкес келетініне көз жеткізіңіз. Құрылғыны 60 Гц жиіліктегі электр желісінде пайдаланған кезде, ешқандай қосымша әрекет қажет емес.

АККУМУЛЯТОРЛЫҚ БАТАРЕЯНЫ КӨДЕГЕ ЖАРАТУ

- Шаш қырқатын машинаның өшірулі екендігіне көз жеткізіңіз.
- Желілік адаптер бауының (10) ажыратқышын ұяға (6) салыңыз.
- Желілік адаптер бауын (10) электрлік розеткаға салыңыз, осы жерде аккумуляторлық батареяның индикаторы (3) жарқын көк түспен жанады.
- Аккумуляторлық батареяның толық қуаттану уақыты шамамен 3 сағат, осы жерде аккумуляторлық батареяның индикаторы (3) қалыпты көк түспен жанады.
- Қуаттауды аяқтағаннан кейін желілік адаптерді (10) электрлік розеткадан шығарып, желілік адаптер (10) ажыратқышын ұядан (6) шығарыңыз.

Ескертпелер:

- егер жұмыс уақыты кезінде аккумуляторлық батареяның қуаты 15% төмен түсіп кетсе, онда индикатор (8) көк түспен жанып-өшеді;
- егер жүздердің жылжу жылдамдығы төмендесе, ал сізге жұмысты жалғастыру қажет болса, аккумулятор батареясын қуаттандырыңыз немесе желілік адаптерді қосыңыз;
- аккумуляторды қуаттауды +5°C бастап +35°C дейінгі температурада және ауаның 80% аспайтын салыстырмалы ылғалдылығы кезінде жүргізіңіз;
- егер сіз құралды ұзақ уақыт қолданбасаңыз, онда құралды қолдану алдында аккумуляторлық батареяны 2,5 сағат бойы қуаттандыруыңыз керек.

ЖҮЗІ (1, 2)

- Жүзі (1, 2) шығын материалы болып табылады, кепілдік міндеттемелер оларға жарамайды.
- Жүздердің (1, 2) кесетін жиектерінің жай-күйін тұтынушы өздігінен бақылауға міндетті, өйткені жүздердің кесетін жиектерін қайрау (ажарлау) кепілдік міндеттемелерге кірмейді.

Жүздердің дұрыс орнатылуын тексеру

- Шаш қырқуды бастамас бұрын, жүздердің дұрыс орнатылғанына көз жеткізіңіз, төменгі жүзі (1) жоғарғы жүзге (2) қатысты 0,5 – 1,0 мм шығып тұруы керек (сур. 1).
- Төменгі жүздің (1) бекіту бұрандаларын босатыңыз және жүздерді (1) туралаңыз, бекіту бұрандаларын қатайтыңыз (сур. 2).

ЖҮЗДЕРДІ МАЙЛАУ

- Жүздерді әрбір қолданғаннан кейін шаш қалдықтарынан тазарту қажет және маймен майлау қажет, сондай-ақ жүздерді (1, 2) шаш қырқатын машинаны пайдаланар алдында да майлау ұсынылады.
- Осындай құрылғыларға тағайындалған, жеткізілім жиынтығына кіретін майды (8) пайдаланыңыз.
- Жүздерді майлау үшін құрамына еріткіштер кіретін майды немесе өсімдік майын пайдалануға тыйым салынады. Еріткіштер булануға ұшырайды, ал қалған қою май жүздердің қозғалу жылдамдығын баялатады.

- Майлайтын майды (8) жүздердің жылжымалы және жылжымайтын бөліктерінің байланысатын орнына жағыңыз (сур. 3).
- Машинаны қуаттауды сөндіргіш (5) арқылы қосып, майлайтын майдың жүздердің (1,2) үйкеліс беті бойынша таралуы үшін шамамен 30 секунд ұстай тұрыңыз.
- Машинаны қуаттауды сөндіргіш (5) арқылы қосыңыз, артық майды қағаз сүлгімен немесе құрғақ матамен алып тастаңыз.

ҚОНДЫРМА-ТАРАҚТЫ ОРНАТУ ЖӘНЕ ШЕШІП АЛУ

- Жүзге (1, 2) керекті қондырма-тарақты (7) орнатыңыз (4-сур.).
- Бір қондырма-тарақтың (7) артқы бөлігін «а» пышаққа жүзін жоғары қаратып орнатыңыз және қондырманың (7) алдыңғы бөлігін «b» ол бекітілгенге дейін басыңыз (4-сур.). Шаш қырқуды бастамас бұрын қондырманың (7) берік бекітілгеніне көз жеткізіңіз. Қондырма-тарақты (7) шешу үшін қондырманың (7) алдыңғы бөлігін «b» басып, қондырманы шешіңіз (4-сур.).

ШАШ ҮЛГІСІН МОДЕЛЬДЕУ ЖӨНІНДЕГІ НҰСҚА-УЛЫҚ

- Қырқуды бастамас бұрын машинаны қосып, машинаның іркіліссіз, ал жүздің жүрісі тегіс жұмыс істейтініне көз жеткізіңіз, жүздерде майлайтын майы (1,2) артығымен болса, машинаны өшіріңіз, майлайтын майының артығын қағаз майлықпен немесе құрғақ матамен алып тастаңыз.

- Шашын қырқатын адамды, оның басы сіздің кеуденіңіздің деңгейінде болатындай етіп отырғызыңыз.
- Өте жақсы нәтижелерге жету үшін, құрғақ шашты қиыңыз. Жаңа ғана жуылған шашты қимаңыз, шашты сүлгімен сүртіңіз және фен арқылы кептіріңіз.
- Шашты өсу бағытына қарай тараңыз.
- Ша қырқатын машинаны әрқашан шаштың өсу бағытына қарсы жылжытыңыз. Шашты өсу бағытына қарай да қыркуға болады, бірақ есіңізде болсын, өсу бағытына қарсы алынған шаштар өсу бағыты бойынша алынған шаштардан қысқарақ болады.
- Шашты қырку барысында, машинаны баяу жылжытыңыз.

ҚОНДЫРМА-ТАРАҚТАРДЫ ПАЙДАЛАНУ

Қондырма-тарақтар (7) қысқа шашты қыркуға, мұрт пен сақалды алуға арналған.

- Шаш қырқатын машинаның жиынтығына қалдырылатын шаштың әр түрлі ұзындығына арналған, қондырма-тарақ (9) кіреді: «1 мм, 1,5 мм, 2 мм, 3 мм».
- Шаш қырқатын машинаны жақсы игеру үшін, шашты қыркуды қалдырылатын шаштың максималды ұзындығы (7) — 3 мм қондырма-тарақпен бастаңыз.
- Шашты түзу қию үшін, қондырма-тарақ басқа толығымен жанасуын қадағалаңыз.
- Бастағы шаштың барлық бөліктері қырқылғанына көз жеткізу үшін, оны әртүрлі бағытта жылжыта отырып, жаппай қозғалтып, машинамен баяу өткізіңіз.
- Шаш қию кезінде оларды машинамен оңай ұстап қалу үшін, шашты өсу бағытына қарай тараңыз.

- Бұйра шашты, сирек шашты немесе ұзын шашты түзу қырку үшін, жүздер блогына (1,2) шашты бағыттау үшін тарақты пайдаланыңыз.
- Қондырма-тарақты қылшақшаның (9) көмегімен мезгілімен тазалап отырыңыз.
- Шаш үлігісін модельдеудің соңғы сатысында машинадан орнатылған қондырма-тарақты (7) шешіп алыңыз, машинаның жүздерін шаш жаққа қарай бұрыңыз және самай мен мойындағы шаштарды абайлап түзетіңіз. Пішінін жасамас бұрын, құлақтың үстіндегі шаш ұштарын тараңыз. Шаш қиюға кедергі келтірмеу үшін, шашын қиып жатқан адамның құлағын сәл бүгіңіз. Машинаны күшпен баспаңыз, ашық жүздер терімен жанасқан кезде жарақаттау немесе кесіп алу қаупі бар.
- Шаш қырқуды аяқтағаннан кейін машинаны қуаттауды ажыратқышпен (5) қосыңыз.
- Қырқуды аяқтағаннан кейін, машинаны сөндіріңіз, ол үшін сөндіргішті (5) күйіне «0» жылжытыңыз.
- Орнатылған қондырма-тарақты шешіп алыңыз (сур. 4), оны шаштан тазартыңыз, жүздерін (1, 2) тазалаңыз, тазалау үшін қылшақты (9) қолданыңыз.
- Жүздерді майлаңыз

МҰРТ ПЕН САҚАЛДЫ АЛУ

- Алудың алдында мұрт пен сақалды тарақпен тараңыз.
- Қырқатын шаштың биіктігі пайдаланылатын қондырма-тараққа (7) байланысты: «1 мм, 1,5 мм, 2 мм, 3 мм».
- «3 мм» қондырма-тарақты (7) пайдаланудан бастаңыз, керек болғанда, одан да қысқа шашқа арналған басқа қондырма-тарақты (7) пайдалануға болады.

- Мұрт немесе сақалды алудың алдында машинаны қуаттауды өшіргішпен (5) қосыңыз, машинаның іркіліссіз жұмыс істейтіндігіне, жүздер блогы (1, 2) бірқалыпты екендігіне көз жеткізіңіз.
- Шашты тиімді тегістеу үшін шаш қырқатын машинаны шаштың өсі бағытына қарсы жылжытыңыз. Қондырма-тарақтың (7) беті ерқашан теріге тиіп тұрғанына көз жеткізіңіз.
- Әдетте шаш бір бағытта өспеуіне байланысты сіз қырқудың әртүрлі бағытына қарай қырқа аласыз, ол үшін шаш қырқатын машинаны шаш өсетін бағыт бойынша, шаш өсетін бағытқа қарсы немесе шаш өсетін бағытқа көлденең жылжыту керек.
- Мұрты тегістеу, сақалды бедерін беру және керек емес шашты алу үшін жүзден (1, 2) орнатылған қондырманы (7) шешіңіз.
- Машинаны жүзі шашқа қарап тұратындай етіп бұрып, мұрт пен сақалды мұқият тегістеңіз. Машинаға қолдың күшін түсірмеңіз, ашық жүздер теріге тиген кезде жарақаттар алуыңыз немесе кесіп кетуіңіз мүмкін.
- Қондырма-тарақты қылшақты (9) пайдаланып, жүйелі түрде тазалап отырыңыз.
- Шашты қырқып болғаннан кейін машинаны қуаттауды өшіргішпен (5) өшіріңіз.
- Орнатылған қондырма-тарақты (7) шешіп (4-сур.), оны шаштан тазартыңыз, жүздерін (1, 2) тазалаңыз, тазалау үшін қылшақты (9) қолданыңыз.
- Жүзді (1, 2) майлаңыз (3-сур.).

ТАЗАРТУЫ ЖӘНЕ КҮТІМІ

- Шаш қырқатын машинаны пайдаланғаннан кейін өшіріңіз.
- Орнатылған қондырма-тарақты (7) (сур. 4) шешіп алыңыз және оны шаштан тазалаңыз, ол үшін қылшақшаны (9) пайдаланыңыз.
- Пышақ блогын (1, 2) щеткамен тазалаңыз (9). Жүздер блогын (4) және машина корпусының ішкі қуысын су ағыны астында жууға тыйым салынады.
- Шаш қырқатын машина корпусын жұмсақ (4), сәл дымқыл матамен сүртіңіз, содан кейін құрғатып сүртіңіз.
- Машинаның корпусын (4), желілік адаптерді (7) және қондырма-тарақтарды (9) тазалау үшін абразивті тазалау құралдарын немесе еріткіштерді пайдалануға тыйым салынады.
- Шаш қырқатын машинаны, желілік адаптер суға немесе кез-келген басқа сұйықтықтарға салуға тыйым салынады.
- Әрбір қолданғаннан кейін жүздерді (1, 2) майлайтын маймен (8) майлаңыз.

САҚТАЛУЫ

- Шаш қырқатын машинаны сақтауға алып қоярдан бұрын машина корпусын (4), жүздерді (1, 2) және қондырма-тарақтарды (7) тазалау керек.
- Жүздерді (1, 2) майлайтын маймен (8) майлаңыз.
- Шаш қырқатын жинақты салқын және құрғақ, балалардың және мүмкіндігі шектеулі адамдардың қолы жетпейтін жерде сақтаңыз.

ЖЕТКІЗІЛІМ ЖИЫНТЫҒЫ

1. Шаш қырқатын машина — 1 дн.
2. Қондырма-тарақ — 4 дн.
3. Майлайтын май — 1 дн.
4. Тазалауға арналған қылшақша — 1 дн.
5. Туре-С кабель — 1 дн.
6. Нұсқаулық — 1 дн.

ТЕХНИКАЛЫҚ СИПАТТАМАЛАРЫ

Шаш қырқатын машина

- Электр қуаттандыруы: 3,7 В, кіріктірілген аккумуляторлық батарея Li-ion 2000 мАс
- Кіріс кернеуі: 5 В 1 А
- Зарядтау уақыты: шамамен 2,5 сағат
- Жұмыс уақыты: шамамен 2,5 сағат

Желілік адаптер

- Электр қуаттандыруы: 100-240 В ~50-60 Гц
- Кіріс кернеуі: 5 В 1 А
- Номиналдық тұтынатын қуаттылығы: 5 Вт



НАЗАР АУДАРЫҢЫЗ!

Аспапты аккумуляторлық батареяны қуаттаған кезде және желілік адаптерден жұмыс істегенде және ванна бөлмесінің, душтың, бассейннің ж.т.б. қасында қолдануға болмайды.

КӘДЕГЕ АСЫРУ



Қалдықтардың бақыланбай кәдеге асыруынан қоршаған ортаға немесе адамдардың денсаулығына зиян келтірмеу үшін, құрылғының немесе қуаттандыру элементтерінің (егер жиынтыққа кірсе) қызмет ету мерзімі аяқталғаннан кейін оларды әдеттегі

тұрмыстық қалдықтармен бірге тастамаңыз, аспапты және қуаттандыру элементтерін одан әрі кәдеге асыру үшін арнайы пункттерге жіберіңіз.

Бұйымдарды кәдеге асыру кезінде пайда болатын қалдықтар белгіленген тәртіп бойынша келесі пайдаға асырылатын тәртіппен міндетті түрде жинауға жатады.

Берілген өнімді қайта өңдеу туралы қосымша ақпаратты алу үшін жергілікті муниципалитетке, тұрмыстық қалдықтарды қайта өңдеу қызметіне немесе берілген өнімді сіз сатып алған дүкенге жүгініңіз.

Өндіруші құрылғы жұмысының жалпы принциптеріне әсер етпейтін дизайнды, құрастырғыны және техникалық сипаттамаларды алдын ала ескертусіз өзгерту құқығын сақтайды.

Құрылғының қызмет ету мерзімі — 3 жыл

Өндірілген күні сериялық нөмірде көрсетілген.

Қандай да бір ақаулықтар табылған жағдайда дереу авторландырылған сервистік орталыққа жүгіну керек.

Hergestellt für «Ruste GmbH»,
Berggasse 18/18, 1090 Wien,
Österreich

Produced for «Ruste GmbH»,
Berggasse 18/18, 1090 Vienna, Austria

Изготовлено по заказу Русте Гмбх,
Бергассе 18/18, 1090 Вена, Австрия

Уполномоченное изготовителем
лицо: ООО «Грантэл»
143912, МО, г. Балашиха,
ш. Энтузиастов, вл. 1А
т.: +7(495) 297-50-20,
e-mail: info@brayer.su

Made in China/Произведено в Китае



brayer.ru

