

Instruction manual
Инструкция по эксплуатации

Electric kettle BR1035
Электрический чайник BR1035





СОДЕРЖАНИЕ

EN.....	3
DE.....	11
RU	20
KZ.....	29

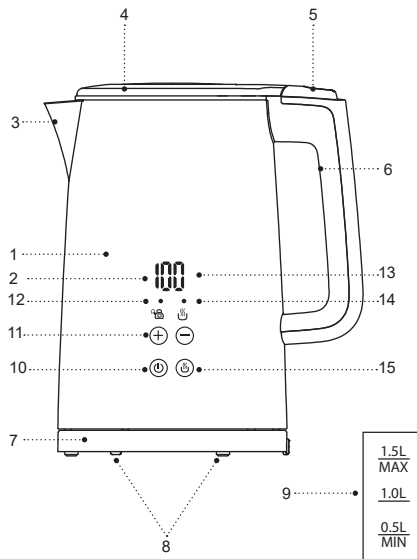
ELECTRIC KETTLE BR1035

The liquid heating appliance (kettle) is intended for heating and boiling drinking water only.

1. Kettle flask
2. Control panel
3. Spout
4. Lid
5. Lid opening button
6. Handle
7. Kettle stand
8. Power cord storage
9. Inner water level scale
10. On/Off button «»
11. Temperature selection buttons «+, -»
12. Water boiling mode indicator
13. Water temperature digital symbols
14. Water temperature maintenance mode indicator
15. Water temperature maintenance mode button «»

ATTENTION!

For additional protection it is reasonable to install a residual current device (RCD) with nominal operation current not exceeding 30 mA into the mains. To install RCD, contact a specialist.



SAFETY MEASURES AND OPERATION RECOMMENDATIONS

Read the operation instructions carefully before using the unit, after reading keep it for future reference.

- Use the electric kettle for its intended purpose only, as it is stated in this manual.
- Mishandling the kettle can lead to its breakage and cause harm to the user or damage to his/her property and it is not covered by warranty.
- The kettle is intended for heating and boiling drinking water only, do not heat or boil any other liquids.
- Make sure that operating voltage of the electric kettle indicated on the label corresponds to your home mains voltage.
- The kettle should be always grounded. In case of short circuit, grounding reduces the risk of electric shock.
- The power cord is equipped with a «europlug»; plug it only into the mains socket with reliable grounding contact.
- Contact an electrical technician, if you are not sure that your sockets are installed properly and grounded.
- To prevent fire do not use adapters designed to plug the power cord into an electrical outlet having no grounding contact.
- If there is sparking or a burning smell, unplug the power cord from the electrical outlet and contact your household electrical service provider.
- If there is smoke from the flask or body of the kettle, unplug the power cord from the electrical outlet, do not open the lid of the kettle and take measures to prevent the fire spread. Contact the service center for inspection or repair of the kettle.
- Do not use the electric kettle outdoors.
- It is recommended not to use the unit during lightning storms.
- Do not place any foreign objects on the kettle.
- Protect the unit from blows, drops, vibrations and other mechanical stress.
- Never leave the plugged-in electric kettle unattended.
- Do not use the kettle near a kitchen sink, in bathrooms, near swimming pools or other containers filled with water. If the appliance has been dropped into water, immediately unplug the power cord from the electrical outlet before removing the appliance from the water. Contact the service center for inspection or repair of the kettle.
- If the unit is dropped into water, unplug it immediately, and only then you can take the unit out of water.
- Do not use the electric kettle near heating appliances, heat sources or open flame.
- Do not use the electric kettle in places where aerosols are used or sprayed, and in proximity to inflammable liquids.
- Place the electric kettle on a flat stable surface; do not place it on the edge of a table. Do not let the power cord hang from the table and make sure it does not

touch hot surfaces and sharp edges of furniture.

- Do not direct the kettle spout at wooden furniture, books and objects which can be damaged by moisture or hot steam.
- Do not touch the power cord and power plug with wet hands.
- Do not switch the kettle on without water, after the kettle is filled, close the lid tightly.
- Ensure that water level in the kettle is not above the maximal mark «MAX», which is situated inside the kettle flask. If the water level exceeds the maximal mark, boiling water can splash out of the kettle during boiling.
- To avoid burns by hot steam, do not bend over the kettle spout.
- Do not open the kettle lid while water boiling.
- The surface of the kettle may have rather high temperature. Be cautious and careful when in contact with heated surfaces of the kettle. Take the kettle by the handle.
- Be careful while carrying the kettle filled with boiling water. Be careful when you pour water out of the kettle, do not tilt the kettle sharply, in case of careless use of the kettle, you can get burns by hot water.
- Unplug the kettle from the mains before cleaning or when not in use. When disconnecting the kettle stand from the mains, hold only the power cord plug and carefully remove it from the electrical outlet, do not pull on the power cord as this may damage the power cord

or socket and cause a short circuit.

- To avoid electric shock do not immerse the electric kettle into water or any other liquids.
- Do not wash the electric kettle in a dishwashing machine.
- For children safety reasons do not leave polyethylene bags, used as a packaging, unattended.

ATTENTION!

Do not allow children to play with polyethylene bags or packaging film. **Danger of suffocation!**

- The electric kettle is not intended for usage by children.
- Do not leave children unattended to prevent using the unit as a toy.
- Do not allow children to touch the unit and the power cord during the electric kettle operation.
- Place the unit out of reach of children during the operation and cooling down.
- This appliance is not intended for use by persons (including children) with reduced physical, mental, sensory or mental capabilities, or lack of experience or knowledge, unless they have been given supervision or instruction regarding the use of the appliance by a person responsible for their safety.
- Periodically check the integrity of the power cord, the power plug and the kettle body.
- If the power cord is damaged, it should be replaced

by the manufacturer, a maintenance service or similar qualified personnel to avoid danger.

- Do not repair the unit by yourself. Do not disassemble the unit by yourself, if any malfunction is detected, and after it was dropped, unplug the unit and apply to the service center.
- Transport the kettle in the original package.
- Keep the unit out of reach of children and disabled persons.

THE UNIT IS INTENDED FOR HOUSEHOLD USE ONLY, DO NOT USE THE UNIT FOR COMMERCIAL OR LABORATORY PURPOSES.

BEFORE USING THE KETTLE

After unit transportation or storage at low temperature, it is necessary to keep it for at least three hours at room temperature.

- Unpack the kettle and remove all packing materials and advertising stickers.
- Keep the original package.
- Read the safety measures and operating recommendations.
- Check the delivery set.
- Examine the kettle for damages, in case of damage do not plug it into the mains.
- Make sure that the specifications of power supply voltage specified on the lower panel of the unit or the


base correspond to the specifications of your mains. When using the kettle in the mains with 60 Hz frequency, the unit does not need any additional settings.

- Wipe the outer and inner surface of the flask (1) with a slightly damp cloth then wipe dry. Do not use abrasives and coarse scourers for this purpose.
- Place the base (7) on a solid steady flat and non-slip non-metal surface away from heat sources as far as possible from the edge of the surface.
- Do not place and do not use the kettle in closed space, for example, in the cupboard or in closed structures — this can lead to its breakage, cause harm to the user or damage to his/her property.
- Wipe the outer surface of the flask (1) with a slightly damp cloth and then wipe it dry. Do not use abrasives and coarse scourers for this.
- Before connecting the kettle, make sure that there are no moisture drops on the base (7), the flask (1), the power cord and the power plug.
- Press the button (5) to open the cover (4).
- Fill the kettle with water up to the «MAX» mark, according to the scale (9) located on the inner surface of the flask (1).
- Close the lid (4) and make sure that the lid (4) is tightly closed.

Note: it is recommended to install the tea infuser (7) in the lid (9) during the first boiling of water.

- Place the kettle on the base (4).
- Insert the power cord plug into the mains socket, you will hear a sound signal.

STANDBY MODE.

- Plug the power cord into an electrical outlet, then 2 beeps will sound and the temperature of the water in the flask (1) of the kettle will be displayed in digital symbols (13).
- Press the On/Off button (10) «», then a beep signal will sound, and the water heating temperature will be shown in displayed symbols (13). When the water temperature reaches 100°C, beeps will sound, the water boiling indicator (12) and the heating indicator will light up, and the kettle heating element will turn off.
- Press the button (5) to open the cover (4).
- Remove the kettle from the base (7) and carefully pour out boiled water into a suitable bowl.
- Remember that there is boiling water inside the kettle flask (1), always hold the kettle only by the handle (6), do not tilt the kettle sharply, in case of careless use of the kettle you can get burns by hot water.
- Repeat the water boiling procedure several times.

ATTENTION! To avoid burns by hot steam, do not bend over the spout (3).

- Hot water resulting from the first boilings is not recommended to consume, you may use it for domestic needs.


USING THE ELECTRIC KETTLE

- Place the kettle on a solid steady flat and non-slip non-metal surface away from heat sources as far as possible from the edge of the surface.

WATER BOILING

- Take the handle (10), pull it upwards and remove the lid (9).
- Fill the kettle with water not lower than the «MIN» mark and not higher than the «MAX» mark on the scale (9) located on the inner surface of the flask (1).
- Close the lid (4) and place the kettle filled with water on the kettle stand (7).

Note: always make sure that water drops do not fall on the contact unit of the kettle stand (7).


- Plug the power cord into an electrical outlet, then 2 beeps will sound and the temperature of the water in the flask (1) of the kettle will be displayed in digital symbols (13).
- Press the On/Off button (10) «», then a beep will sound, and the water heating temperature will be shown in displayed symbols (13). When the water temperature reaches 100°C, beeps will sound, the water boiling indicator (12) and the heating indicator will light up, and the kettle heating element will turn off. When the water starts boiling, you will hear sound signals, the button «100°C» illumination will glow blue, the «ON/OFF» button (3) illumination will glow green.
- If it is necessary to switch the kettle off, press the On/Off button (10) «ON/OFF».

Notes:


- after water boiling, droplets may appear on the surface of the stand (7) due to steam condensation. This is a normal phenomenon and is not a warranty case;
- The digital symbols (13) showing temperature of the

water in the flask (1) of the kettle will go out after 20 minutes.

HEATING THE WATER UP TO PRESET TEMPERATURE

- You can warm up water up to the required temperature. For making different tea varieties the special water temperature is required.
- Recommended water temperature: 40-60°C – for baby food and other needs, 70°C – white and green tea, 80°C – instant coffee, 90-100°C – black tea.
- Press one of the buttons (11) «+ or –» to select the temperature «40-50-60-70-80-90-100°C», press the On/Off button (10) «». At the same time, the heating element will turn on and the water will be heated to the set temperature.

Notes: the water heating mode is not active when the temperature is set to 100°C and is used only for boiling of water.


- When the set temperature is reached, beeps will sound, the water boiling indicator (12) will light up and the kettle's heating element will turn off.
- If you want to turn off the water heating mode, press the On/Off button (10) «».

WATER TEMPERATURE MAINTENANCE MODE

Notes:

- the function allows to maintain the preset water temperature within 2 hours without reboiling. At the end of this time keep warm mode switches off


automatically.

- operating mode of warm keeping is periodical, if the water temperature in the kettle flask cools down by 5 degrees, the boiling mode will switch on, and after boiling the water will cool down to the preset temperature.
- 100°C water temperature maintenance mode is not active
- Press one of the buttons (11) «+ or –» to select the set the water maintenance temperature «40-50-60-70-80-90-100°C».
- Then press the button (15) «» to turn on the water temperature maintenance mode, while the water boiling mode indicator (12) and the water temperature maintenance mode indicator (14) will light up.
- The heating element of the kettle will turn on, the digital symbols (13) will show the temperature of the water in the flask (1) of the kettle.
- When the water temperature reaches the set temperature, beeps will sound, the water boiling indicator (12) will go out, the kettle heating element will turn off and the water temperature maintenance mode will turn on.

Notes:

- if the temperature of the water in the flask (1) of the kettle is higher than that set in the water temperature maintenance mode, beeps will sound and the water temperature maintenance mode indicator (14) will flash;
- after the water has cooled down to the set temperature, the water temperature maintenance mode indicator

(14) will stop flashing and will be on constantly, and the digital symbols (13) will show the temperature of the water in the flask (1) of the kettle.

- If it is necessary to switch the heating function off, press the keep warm mode (15) «» On/Off button.

Note: if you remove the kettle from the base for the time less than 1 minute, the keep warm mode will stay on.

- If you accidentally switched the kettle on, but the water level appeared to be below the minimal mark, the automatic thermal switch will be on and the kettle will switch off. In this case take the kettle from the base (7) and let it cool down for 10-15 minutes, then fill the kettle with water and switch it on, the electric kettle will operate in normal mode.

CLEANING AND MAINTENANCE

- Before cleaning disconnect the kettle from the mains, pour out water and let the kettle cool down.
- Wipe the base (4) and the outer surface of the flask (5) with a slightly damp cloth, and then wipe the base (4) and the flask (5) dry. Use soft detergents to remove dirt; do not use metal sponges and abrasive detergents and solvents.
- Do not immerse the kettle, the kettle stand (7), power cord and power cord plug in water or any other liquid, do not wash the kettle in the dishwasher.

DESCALING

- Scale, appearing inside the flask (1), influences the water taste and disturbs the heat exchange between water and the heating element and also creates a risk of failure of the heating element, the burnout of the heating element because of large amount of scale in the flask (1) is not covered by warranty.
- To remove scale, you can use special scale-removing agents, as well as household ones, for example, vinegar or citric acid.
- Dissolve 25 g of citric acid in 500 ml of hot water, add water up to the maximum volume of water in the kettle.
- Pour the resulting solution into the kettle and leave for it 15-30 minutes. If necessary, you can turn on the water boiling mode.
- Pour out the liquid and rinse the flask (5) several times, boil water several times.
- You can use special detergents for electric kettles or coffee machines to remove scale, strictly following the instructions on their usage which should be placed on the packing of the detergent or in supplemental materials provided by the seller.
- Clean the kettle from scale regularly.

STORAGE

- Before taking the kettle away for long storage, unplug it, pour out water and let the unit cool down.
- Clean the base (4) and the flask (5).

- Fix the power cord at the power cord storage (8) on the kettle stand (7).
- Keep the kettle in a dry cool place out of reach of children and disabled persons.

DELIVERY SET

1. Electric kettle — 1 pc.
2. Base — 1 pc.
3. Manual — 1 pc.

TECHNICAL SPECIFICATIONS

- Supply voltage: 220-240 V, ~ 50/60 Hz
- Rated input power: 2200 W
- Maximum water capacity: 1.5 L

RECYCLING



To prevent possible damage to the environment or harm to the health of people by uncontrolled waste disposal, after service life expiration of the unit or the batteries (if included), do not discard them with usual household waste, deliver the unit and the batteries to specialized

centers for further recycling.

The waste generated during the disposal of the unit is subject to mandatory collection and consequent disposal in the prescribed manner.

For further information about recycling of this product apply to a local municipal administration, a disposal service or to the shop where you purchased this product.

The manufacturer reserves the right to change the appearance, design and specifications not affecting general operation principles of the unit, without prior notice.

The unit operating life is 3 years

The manufacturing date is specified in the serial number.

In case of any malfunctions promptly apply to the authorized service center. In case of any malfunctions promptly apply to the authorized service center.

WASSERKOCHER BR1035

Das elektrische Gerät zum Erhitzen von Flüssigkeit (Wasserkocher) ist nur zum Erhitzen und Kochen von Trinkwasser bestimmt.

BESCHREIBUNG

Kolben des Wasserkochers

2. Bedienungsplatte

3. Ausguss

4. Deckel

5. Taste der Deckelöffnung

6. Griff

7. Untersatz

8. Kabelaufbewahrung

9. Interne Wasserstandsskala


10. Wasserkocher Ein/Ausschalttaste «»

11. Temperaturwahltaaste «+, -»

12. Anzeige des Wasserkochenbetriebs

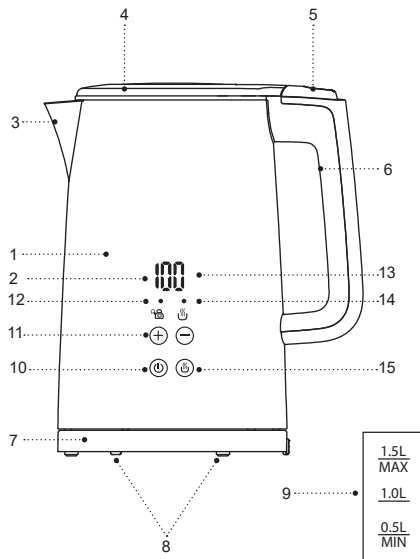
13. Digitale Symbole für die Wassertemperatur

14. Anzeige des Wassertemperaturhaltungsbetriebs

15. Taste zum Einschalten des Wassertemperaturhaltungsbetriebs «»

ACHTUNG!

Für zusätzlichen Schutz wird empfohlen, einen Fehlerstromschutzschalter (FSS) mit einer Ansprechnennstromstärke von nicht mehr als 30 mA im Stromkreis aufzustellen. Um einen FSS aufzustellen, wenden Sie sich an einen Spezialisten.



SICHERHEITSHINWEISE UND GEBRAUCHSANLEITUNG

Bevor Sie Ihr Gerät benutzen, lesen Sie bitte zuerst die Sicherheitshinweise und die Gebrauchsanleitung aufmerksam durch, bewahren Sie sie zum späteren Gebrauch auf.

- Verwenden Sie den Wasserkocher nur bestimmungsgemäß, wie es in dieser Gebrauchsanleitung beschrieben ist.
- Der Missbrauch des Wasserkochers kann zu Schäden führen, den Benutzer oder sein Eigentum beschädigen und ist kein Garantiefall.
- Der Wasserkocher ist nur zum Erhitzen und Kochen von Trinkwasser vorgesehen, es ist verboten, andere Flüssigkeiten zu erhitzen oder zu kochen.
- Stellen Sie sicher, dass die auf dem Bezeichnungszettel angegebene Betriebsspannung des elektrischen Wasserkochers der Spannung der Netzversorgung entspricht.
- Der Wasserkocher muss unbedingt geerdet werden. Im Falle eines Kurzschlusses reduziert die Erdung das Risiko eines elektrischen Schlags.
- Das Netzkabel ist mit einem «Eurostecker» ausgestattet; stecken Sie ihn nur in eine Steckdose, die einen zuverlässigen Erdungskontakt hat.
- Wenden Sie sich an einen Elektriker, wenn Sie sich nicht sicher sind, ob Ihre Steckdosen richtig installiert und geerdet sind.
- Verwenden Sie keine «Übergangsstücke», die zum

Anschließen des Netzsteckers an eine Steckdose ohne Erdkontakt bestimmt sind, um Feuer zu vermeiden.

- Bei Funkenbildung und Brandgeruch, ziehen Sie das Netzstecker aus der elektrischen Steckdose, und wenden Sie sich an den Dienst, der Ihr Hausleitungsnetz bedient.
- Wenn Rauch aus dem Kolben oder aus dem Gehäuse des Wasserkochers auftritt, ziehen Sie den Netzstecker aus der elektrischen Steckdose, öffnen Sie den Deckel des Wasserkochers nicht, treffen Sie Maßnahmen, um das Feuer nicht zu verbreiten. Wenden Sie sich an einen autorisierten Kundendienst, um den Wasserkocher prüfen oder reparieren zu lassen.
- Es ist nicht gestattet, den Wasserkocher draußen zu benutzen.
- Es ist nicht empfohlen, das Gerät bei Gewitter zu benutzen.
- Stellen Sie keine Fremdgegenstände auf den Wasserkocher.
- Schützen Sie das Gerät vor Stößen, Stürzen, Vibrationen und anderen mechanischen Einwirkungen.
- Lassen Sie den ans Stromnetz angeschlossenen Wasserkocher nie unbeaufsichtigt.
- Benutzen Sie den Wasserkocher in der Nähe von Spülbecken, in Badezimmern und neben Wasserbecken oder anderen mit Wasser gefüllten Behältern nicht. Falls das Gerät ins Wasser gefallen ist, nehmen Sie unverzüglich den Stecker aus der elektrischen Steckdose, erst danach holen Sie das Gerät aus dem Wasser heraus. Wenden Sie sich an einen autorisierten

Kundendienst, um den Wasserkocher prüfen oder reparieren zu lassen.

- Falls das Gerät ins Wasser gefallen ist, ziehen Sie den Netzstecker aus der Steckdose sofort heraus, erst danach holen Sie das Gerät aus dem Wasser heraus.
- Benutzen Sie den Wasserkocher in direkter Nähe von Heizgeräten, Wärmequellen oder offenem Feuer nicht.
- Es ist verboten, den Wasserkocher an den Orten, wo Sprays verwendet werden, sowie in der Nähe von leichtentzündbaren Flüssigkeiten, zu verwenden.
- Stellen Sie den Wasserkocher auf eine ebene standfeste Oberfläche auf, stellen Sie ihn an den Tischrand nicht auf. Achten Sie darauf, dass das Netzkabel vom Tisch nicht herabhängt und heiße Oberflächen und scharfe Möbelkanten nicht berührt.
- Es ist nicht gestattet, die Tülle des Wasserkochers auf Holzmöbel, Bücher und Gegenstände zu richten, die durch Feuchtigkeit oder heißen Dampf beschädigt werden können.
- Berühren Sie das Netzkabel und den Stecker mit nassen Händen nicht.
- Schalten Sie den Wasserkocher nicht ohne Wasser ein, nachdem der Wasserkocher gefüllt ist, klappen Sie den Deckel fest.
- Achten Sie darauf, dass der Wasserstand im Wasserkocher nicht höher als die maximale Markierung «MAX» ist, die innerhalb des Wasserbehälters angebracht ist. Falls der Wasserstand über der maximalen Marke ist, kann sich das kochende Wasser

aus dem Wasserkocher während des Kochens ausgießen.

- Beugen Sie sich über der Tülle während des Wasserkocherbetriebs nicht, um Dampfverbrühung zu vermeiden.
- Öffnen Sie den Deckel des Wasserkochers während des Wasserkochens nicht.
- Die Oberfläche des Wasserkochers kann eine ziemlich hohe Temperatur haben. Beim Kontakt mit heißen Oberflächen des Wasserkochers sollen Sie vorsichtig und sorgfältig sein. Fassen Sie den Wasserkocher am Griff an.
- Seien Sie beim Tragen des mit siedendem Wasser gefüllten Wasserkochers vorsichtig. Gießen Sie das Wasser aus dem Wasserkocher vorsichtig, kippen Sie den Wasserkocher nicht scharf. Wenn Sie den Wasserkocher nachlässig verwenden, können Sie eine Verbrühung mit heißem Wasser bekommen.
- Trennen Sie den Wasserkocher vor der Reinigung oder wenn Sie ihn nicht benutzen vom Stromnetz ab. Wenn Sie den Untersatz des Wasserkochers vom Stromnetz abtrennen, halten Sie nur den Netzstecker fest und ziehen Sie ihn aus der elektrischen Steckdose vorsichtig heraus; ziehen Sie das Netzkabel nicht, da es zu seiner Beschädigung oder Steckdosenstörung sowie einem Kurzschluss führen kann.
- Tauchen Sie den Wasserkocher ins Wasser oder andere Flüssigkeiten nicht, um das Stromschlagrisiko zu vermeiden.

- Es ist nicht gestattet den Wasserkocher in der Spülmaschine zu waschen.
- Aus Kindersicherheitsgründen lassen Sie Plastiktüten, die als Verpackung verwendet werden, nie ohne Aufsicht.

ACHTUNG!

Lassen Sie Kinder mit Plastiktüten oder Verpackungsfolien nicht spielen. **Erstickungsgefahr!**

- Der Wasserkocher ist nicht für Gebrauch von Kindern geeignet.
- Beaufsichtigen Sie Kinder, damit sie das Gerät als Spielzeug nicht benutzen.
- Lassen Sie Kinder das Gerät und das Netzkabel während des Betriebs vom Wasserkocher nicht berühren.
- Während des Betriebs und des Abkühlens stellen Sie das Gerät an einen für Kinder unzugänglichen Ort auf.
- Dieses Gerät ist für Personen (darunter Kinder) mit eingeschränkten körperlichen, psychischen, sensorischen oder geistigen Fähigkeiten oder Personen ohne ausreichende Erfahrung und Kenntnisse nicht geeignet, wenn sie sich unter Aufsicht der Person, die für ihre Sicherheit verantwortlich ist, nicht befinden oder entsprechende Anweisungen über die Nutzung des Geräts nicht bekommen haben.
- Körper-, Nerven- und Geistesstörungen oder Personen ohne ausreichende Erfahrung und Kenntnisse nicht geeignet, wenn sie sich unter Aufsicht der Person, die für ihre Sicherheit verantwortlich ist, nicht befinden oder entsprechende Anweisungen über die Nutzung des

Geräts nicht bekommen haben.

- Überprüfen Sie regelmäßig den Zustand des Netzkabels, des Netzanschlusses und des Gehäuses des Wasserkochers.
- Wenn das Netzkabel beschädigt ist, soll es vom Hersteller, vom Kundendienst oder von ähnlich qualifiziertem Personal ersetzt werden, um Gefahren zu vermeiden.
- Es ist nicht gestattet, das Gerät selbständig zu reparieren. Es ist nicht gestattet, das Gerät selbständig auseinanderzunehmen; bei der Feststellung jeglicher Beschädigungen, sowie im Sturzfall, trennen Sie das Gerät vom Stromnetz ab und wenden Sie sich an einen Kundendienst.
- Transportieren Sie den Wasserkocher nur in der Fabrikverpackung.
- Bewahren Sie das Gerät an einem für Kinder und behinderte Personen
- unzugänglichen Ort auf.

DAS GERÄT IST NUR FÜR DEN GEBRAUCH IM HAUSHALT GEEIGNET, ES IST VERBOTEN, DAS GERÄT ZU INDUSTRIE- ODER LABORZWECKEN ZU BENUTZEN.

VORBEREITUNG DES WASSERKochERS ZUR INBETRIEBNAHME

Nachdem Sie das Gerät bei niedriger Temperatur transportiert oder gelagert haben, müssen Sie es mindestens drei Stunden bei Raumtemperatur aufbewahren.

- Packen Sie den Wasserkocher aus und entfernen Sie alle Verpackungsmaterialien und Werbeaufkleber.
 - Bewahren Sie die Originalverpackung auf.
 - Lesen Sie die Sicherheitsmaßnahmen und Bedienungsempfehlungen.
 - Überprüfen Sie den Lieferumfang.
 - Überprüfen Sie den Wasserkocher auf Schäden, wenn Schäden vorhanden sind, schalten Sie ihn nicht in das Netzwerk ein.
 - Stellen Sie sicher, dass die auf der Unterseite des Geräts oder auf dem Untersatz angegebenen Stromversorgungsparameter mit den Parametern des elektrischen Netzwerkes übereinstimmen. Bei Verwendung des Wasserkochers in einem elektrischen Netzwerk mit einer Frequenz von 60 Hz ist keine zusätzliche Einstellung erforderlich.
 - Wischen Sie die äußere und innere Oberfläche des Kolbens (1) mit einem leicht feuchten Tuch ab und wischen Sie sie dann trocken. Verwenden Sie keine ätzenden Reinigungsmittel und scheuernden Topfschwämme.
 - Stellen Sie den Untersatz (7) auf eine feste, stabile, ebene, rutschfeste, nichtmetallische Oberfläche, weit entfernt von Wärmequellen, im maximalen Abstand vom Rand der Oberfläche.
 - Stellen oder verwenden Sie den Wasserkocher nicht in einem geschlossenen Raum, z. B. in einem Schrank oder in geschlossenen Strukturen, dies kann zur Beschädigung oder Verletzung des Benutzers oder seines Eigentums führen.
 - Wischen Sie die Außenoberfläche des Wasserbehälters (1) mit einem feuchten Tuch, dann trocknen Sie sie ab. Verwenden Sie keine ätzenden Reinigungsmittel und scheuernden Topfschwämme.
 - Bevor Sie den Wasserkocher anschließen, überprüfen Sie, ob auf dem Untersatz (7), auf dem Wasserbehälter (1), auf dem Netzkabel, auf dem Netzstecker keine Feuchtigkeit vorhanden ist.
 - Drücken Sie die Taste (5), um den Deckel (4) zu öffnen.
 - Füllen Sie den Wasserkocher mit Wasser bis zur Markierung «MAX» gemäß der Skala (9) auf der Innenfläche des Kolbens (1)
 - Stellen Sie den Wasserkocher auf den Untersatz (4).
 - Stecken Sie den Netzstecker des Netzkabels in die Steckdose, dabei hören Sie ein Tonsignal.
 - Die Beleuchtung der Taste «100°C» leuchtet blau und blinkt, drücken Sie die Ein-/Ausschalttaste (1) «ON/OFF», die Beleuchtung der Taste (1) leuchtet rot, und das Wasserkochen beginnt.
 - Wenn das Wasser aufkocht, ertönen die Tonsignale, die Beleuchtung der Taste «100°C» leuchtet blau, die Beleuchtung der «ON/OFF»-Taste (1) leuchtet grün.
- Anmerkung:** nach Ablauf des Wasserkochens erlischt die Tastenbeleuchtung nach 5 Minuten.
- Nehmen Sie den Wasserkocher vom Untersatz ab und gießen Sie gekochtes Wasser vorsichtig in einen geeigneten Behälter.
 - Denken Sie daran, dass im Wasserbehälter (5) des

Wasserkochers ein kochendes Wasser ist, halten Sie den Wasserkocher immer nur am Griff (11), kippen Sie den Wasserkocher nicht scharf. Wenn Sie den Wasserkocher schlampig verwenden, können Sie eine Verbrühung mit heißem Wasser bekommen.

- Wiederholen Sie das Kochen mehrmals.

ACHTUNG! Beugen Sie sich über der Tülle (8) während des Wasserkocherbetriebs nicht, um Dampfverbrühung zu vermeiden.

- Es wird nicht empfohlen, das durch das erste Kochen erhaltene heiße Wasser zu trinken, Sie können es im Haushalt verwenden.

VERWENDUNG DES WASSERKOCHERS

- Stellen Sie den Wasserkocher (7) auf eine feste, stabile, ebene, rutschfeste, nichtmetallische Oberfläche, weit entfernt von Wärmequellen, im maximalen Abstand vom Rand der Oberfläche.

WASSERKOCHEN

- Drücken Sie die Taste (5), um den Deckel (4) zu öffnen.
- Füllen Sie den Wasserkocher mit Wasser, das nicht tiefer als die Markierung «MIN» und nicht höher als die maximale Markierung «MAX» auf der Skala (9) ist, die sich auf der Innenfläche des Kolbens (1) befindet.
- Schließen Sie den Deckel (4) und stellen Sie den mit Wasser gefüllten Wasserkocher auf den Untersatz (7).

Anmerkung: Achten Sie immer darauf, dass keine

Wassertropfen auf die Kontaktgruppe des Untersatzes (7) fallen.

- Stecken Sie den Netzstecker in die Steckdose, dabei ertönen 2 Tonsignale und digitale Symbole (13) zeigen die Temperatur des Wassers im Kolben (1) des Wasserkochers an.
- Drücken Sie die Ein/Ausschalttaste (10) (☺), dabei ertönt ein Tonsignal, digitale Symbole (13) zeigen die Temperatur der Warmwasserbereitung an, wenn die Wassertemperatur 100°C erreicht ist, ertönen Tonsignale, die Wasserkochanzeige (12) leuchtet auf und das Heizelement des Wasserkochers schaltet sich aus.
- Wenn das Wasser aufkocht, ertönen die Tonsignale, die Beleuchtung der Taste «100°C» leuchtet blau, die Beleuchtung der «ON/OFF»-Taste (1) leuchtet grün.
- Wenn Sie den Wasserkocher ausschalten müssen, drücken Sie die Ein/Ausschalttaste (3) «ON/OFF».

Anmerkung: nach kochendem Wasser können sich Wassertropfen auf der Oberfläche des Untersatzes (7) durch Dampfkondensation bilden, dies ist normal und kein Garantiefall.

- Die digitalen Anzeigen (13) der Temperatur des Wassers im Kolben (1) des Wasserkochers erlöschen nach 20 Minuten.

FUNKTION DER ERHALTUNG DER EINGESTELLTEN WASSERTEMPERATUR

- Sie können das Wasser auf die gewünschte Temperatur erwärmen. Um verschiedene Teesorten aufzubrühen, ist

- eine bestimmte Wassertemperatur erforderlich.
- Es wird empfohlen, die Wassertemperatur von 70 °C — für weißen und grünen Tee, 80 °C — für Pulverkaffee, 100 °C — für schwarzen Tee zu verwenden.
- Drücken Sie eine der Tasten (9), um die Temperatur von 40 °C, 70 °C, 85 °C, 100 °C auszuwählen, dabei leuchtet die Tastenbeleuchtung blau und blinkt, dabei leuchtet die Beleuchtung der «ON/OFF»-Taste (1) rot, das Heizelement wird eingeschaltet, und das Wasser wird auf die eingestellte Temperatur erwärmt.
- Wenn die eingestellte Temperatur erreicht ist, klingen Tonsignale, die Tastenbeleuchtung erlischt.
- Wenn Sie die Erwärmungsfunktion ausschalten müssen, drücken Sie die Ein-/Ausschalttaste (3) «ON/OFF».

FUNKTION DER ERHALTUNG DER EINGESTELLTEN TEMPERATUR

Anmerkungen:

- mit dieser Funktion können Sie die gewünschte Wassertemperatur 2 Stunden lang erhalten, ohne erneut zu kochen. Nach Beendigung dieser Zeit wird der Temperaturerhaltungsmodus automatisch ausgeschaltet;
- Der Temperaturerhaltungsmodus ist periodisch, wenn die Wassertemperatur im Wasserkocher um 5 Grad sinkt, der Kochbetrieb wird aktiviert, nach dem Kochen wird das Wasser auf die eingestellte Temperatur abgekühlt;
- der Betrieb der Wassertemperaturhaltung 100°C ist nicht aktiv.

- Drücken Sie eine der Tasten (11) «+ oder -», um die eingestellte Wassererhaltungstemperatur «40-50-60-70-80-90-100°C» auszuwählen.
- Drücken Sie dann die Taste (15) «☺», um den Wassertemperaturbetrieb einzuschalten, dabei leuchten die Anzeige des Wasserkochensbetriebs (12) und die Anzeige des Wassertemperaturhaltungsbetriebs (14) auf.
- Das Heizelement des Wasserkochers schaltet sich ein, die digitalen Symbole (13) zeigen die Temperatur des Wassers im Kolben (1) des Wasserkochers an.
- Wenn die Wassertemperatur die eingestellte Temperatur erreicht, ertönen Tonsignale, die Anzeige des Wasserkochensbetriebs (12) erlischt, das Heizelement des Wasserkochers wird ausgeschaltet und die Wassertemperaturerhaltungsfunktion wird eingeschaltet.

Anmerkungen:

- wenn die Wassertemperatur im Kolben (1) des Wasserkochers höher als die eingestellte Wassererhaltungstemperatur ist, ertönen Tonsignale und die Anzeige des Wassertemperaturhaltungsbetriebs (14) blinkt;
- Nachdem das Wasser auf die eingestellte Temperatur abgekühlt ist, hört die Anzeige des Wassertemperaturhaltungsbetriebs (14) auf zu blinken und leuchtet konstant, die digitalen Symbole (13) zeigen die Temperatur des Wassers im Kolben (1) des Wasserkochers.

Wenn Sie die Erwärmungsfunktion ausschalten müssen, drücken Sie die Ein-/Ausschalttaste der Temperaturhaltung (15) «KEEP WARM».

Anmerkungen:

- Wenn Sie den Wasserkocher für weniger als 1 Minute vom Untersatz entfernen, verbleibt die Temperaturhaltung eingeschaltet;
- wenn der Wasserkocher für längere Zeit entfernt wird, ertönt das Tonsignal und der Erwärmungsmodus wird ausgeschaltet.
- Falls Sie den Wasserkocher zufällig eingeschaltet haben, jedoch der Wasserstand darin unter der minimalen Wasserstandsmarke bleibt, spricht das Sicherungselement automatisch an und der Wasserkocher schaltet sich automatisch aus. In diesem Fall nehmen Sie den Wasserkocher vom Untersatz (4) ab, lassen Sie ihn 5-10 Minuten lang abkühlen, dann füllen Sie den Wasserkocher mit Wasser auf und schalten Sie ihn ein, der Wasserkocher wird im normalen Betrieb funktionieren.

REINIGUNG UND PFLEGE

- Trennen Sie das Gerät vor der Reinigung vom Stromnetz ab, gießen Sie Wasser aus und lassen Sie den Wasserkocher abkühlen.
- Wischen Sie den Untersatz (7) und die äußere Oberfläche des Wasserbehälters (1) mit einem leicht feuchten Tuch ab, wischen Sie dann den Untersatz (7) und den Wasserbehälter (1) trocken ab. Für Entfernung von Verschmutzungen benutzen Sie weiche Reinigungsmittel, aber keine Metallbürsten und Abrasiv- oder Lösmittel.

- Tauchen Sie den Wasserkocher, den Untersatz (7), das Netzkabel und den Netzstecker nicht in Wasser oder andere Flüssigkeiten, reinigen Sie den Wasserkocher nicht in der Spülmaschine.

KALKENTFERNUNG

- Der Kalkstein, der sich innerhalb des Wasserkochers bildet, beeinflusst die Geschmackseigenschaften des Wassers und verletzt den Wärmeaustausch zwischen Wasser und dem Heizelement, und kann das Heizelement beschädigen; das Durchbrennen des Heizelements bei einer starken Kalkablagerung im Behälter (1) ist kein Garantiefall.
- Zum Entkalken können Sie sowohl spezielle Entkalkungsmittel als auch Haushaltsprodukte wie Essig oder Zitronensäure verwenden.
- Lösen Sie 25 g Zitronensäure in 500 ml heißem Wasser auf und fügen Sie Wasser hinzu, bis die maximale Wassermenge im Wasserkocher erreicht ist.
- Gießen Sie die erhaltene Lösung in den Wasserkocher und warten Sie 15-30 Minuten, Bei Bedarf können Sie den Wasserkocherbetrieb einschalten.
- Gießen Sie die Flüssigkeit ab und spülen Sie den Wasserbehälter (1) mehrmals ab, lassen Sie das Wasser mehrmals kochen.
- Zum entkalken können spezielle Mittel verwendet werden, die für elektrische Wasserkocher oder Kaffeemaschinen bestimmt sind, halten Sie sich strikt an die Gebrauchsanweisung, die auf der Verpackung

des Produkts oder in den zusätzlichen Materialien des Verkäufers platziert werden muss.

- Reinigen Sie den Wasserkocher vom Kalk regelmäßig.

AUFBEWAHRUNG

- Bevor Sie den Wasserkocher zur langen Aufbewahrung wegnehmen, trennen Sie ihn vom Stromnetz ab, gießen Sie Wasser ab und lassen Sie das Gerät abkühlen.
- Reinigen Sie den Untersatz (7) und den Wasserbehälter (1).
- Bewahren Sie das Gerät an einem trockenen, kühlen und für Kinder und
- Befestigen Sie das Netzkabel in der Kabelaufbewahrung (8) am Untersatz (7).
- Bewahren Sie den Wasserkocher an einem kühlen, trockenen Ort außerhalb der Reichweite von Kindern und Menschen mit Behinderungen auf.

LIEFERUMFANG

1. Wasserkocher — 1 St.
2. Untersatz — 1 St.
3. Bedienungsanleitung — 1 St.

TECHNISCHE DATEN

- Betriebsspannung: 220-240 V, ~ 50/60 Hz
- Nennleistungsaufnahme: 2200 W
- Maximale Füllmenge: 1,5 L

ENTSORGUNG



Um möglichen Schaden für die Umwelt oder die menschliche Gesundheit durch unkontrollierte Abfallentsorgung zu vermeiden, werfen Sie das Gerät und die Batterien (falls mitgeliefert) nach Beendigung ihrer Nutzungsdauer zusammen mit gewöhnlichen Haushaltsabfällen nicht weg, geben Sie das Gerät und die Batterien in Spezialstellen für weitere Entsorgung über.

Die bei der Entsorgung der Erzeugnisse entstehenden Abfälle sind unbedingt zu sammeln und weiter ordnungsmäßig zu entsorgen.

Mehrere Informationen zur Entsorgung dieses Produkts erhalten Sie bei Ihrer lokalen Stadtverwaltung, einem Abfallentsorgungsdienst oder beim Geschäft, wo Sie dieses Produkt gekauft haben.

Der Hersteller behält sich das Recht vor, das Design, die Konstruktion und die das gemeine Gerätebetriebsprinzip nicht beeinflussenden technischen Eigenschaften ohne Vorbenachrichtigung zu verändern.

Die Gerätenutzungsdauer beträgt 3 Jahre



Das Herstellungsdatum ist in der Fabrikationsnummer angegeben.

Bei Störungsfeststellung wenden Sie sich baldigst an einen autorisierten Kundendienst.

ЧАЙНИК ЭЛЕКТРИЧЕСКИЙ BR1035

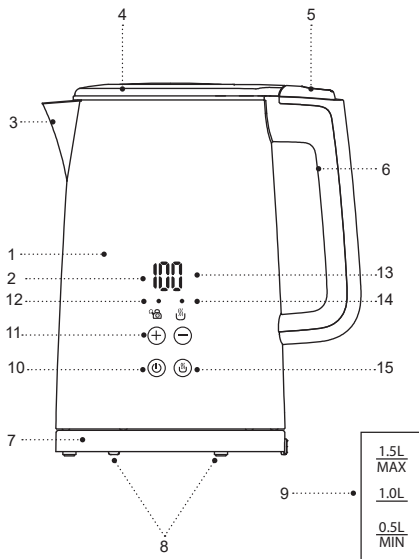
Электрический чайник предназначен только для кипячения питьевой воды.

ОПИСАНИЕ

1. Колба чайника
2. Панель управления
3. Носик
4. Крышка
5. Клавиша открывания крышки
6. Ручка
7. Подставка
8. Место для намотки шнура питания
9. Внутренняя шкала уровня воды
10. Кнопка включения/выключения чайника «»
11. Кнопки выбора температуры «+, -»
12. Индикатор режима кипячения воды
13. Цифровые символы температуры воды
14. Индикатор режима поддержания температуры воды
15. Кнопка включения режима поддержания температуры воды «»

ВНИМАНИЕ!

Для дополнительной защиты в цепи питания целесообразно установить устройство защитного отключения (УЗО) с номинальным током срабатывания, не превышающим 30 мА. Для установки УЗО обратитесь к специалисту.



МЕРЫ БЕЗОПАСНОСТИ И РЕКОМЕНДАЦИИ ПО ЭКСПЛУАТАЦИИ

Перед использованием устройства внимательно ознакомьтесь с руководством по эксплуатации, после чтения сохраните его для использования в будущем.

- Используйте электрический чайник (далее чайник) только по его прямому назначению, как изложено в данной инструкции.
- Неправильное обращение с чайником может привести к его поломке, причинению вреда пользователю или его имуществу и не является гарантийным случаем.
- Чайник предназначен только для подогрева и кипячения питьевой воды, запрещается подогревать или кипятить любые другие жидкости.
- Убедитесь, что рабочее напряжение чайника, указанное на этикетке, соответствует напряжению электросети.
- Чайник должен быть обязательно заземлен. В случае возникновения короткого замыкания, заземление снижает риск поражения электрическим током.
- Шнур питания снабжён «евровилкой»; вставляйте её только в электрическую розетку, имеющую надёжный контакт заземления.
- Обратитесь к специалисту-электрику, если вы не уверены в том, что ваши розетки правильно установлены и заземлены.
- Во избежание возникновения пожара запрещается использовать «переходники», предназначенные для

подключения вилки шнура питания к электрической розетке, не имеющей контакта заземления.

- При искрении и присутствии запаха гари, выньте вилку шнура питания из электрической розетки и обратитесь в организацию, обслуживающую вашу домашнюю электрическую сеть.
- При появлении дыма из колбы или корпуса чайника, выньте вилку шнура питания из электрической розетки, не открывайте крышку чайника, примите меры к нераспространению огня. Обратитесь в сервисный центр для осмотра или ремонта чайника.
- Запрещается использовать чайник вне помещений.
- Не рекомендуется использовать устройство во время грозы.
- Не устанавливайте на чайник посторонние предметы.
- Берегите устройство от ударов, падений, вибраций и иных механических воздействий.
- Не оставляйте чайник, включённый в сеть, без присмотра.
- Не используйте чайник вблизи от кухонной раковины, в ванных комнатах, около бассейнов или других ёмкостей, наполненных водой. Если устройство упало в воду, немедленно выньте вилку шнура питания из электрической розетки и только после этого достаньте устройство из воды. Обратитесь в сервисный центр для осмотра или ремонта чайника.
- Не используйте чайник в непосредственной близости от нагревательных приборов, источников тепла или открытого пламени.
- Запрещается использовать чайник в местах, где ис-

пользуются или распыляются аэрозоли, а также вблизи от легковоспламеняющихся жидкостей.

- Устанавливайте чайник на ровную и устойчивую поверхность, не ставьте его на край стола. Не допускайте, чтобы шнур питания свешивался со стола, а также следите, чтобы он не касался горячих поверхностей и острых кромок мебели.
- Не направляйте носик чайника на деревянную мебель, книги, на предметы, которые могут быть повреждены влагой или горячим паром.
- Запрещается прикасаться к шнуру питания и вилке шнура питания, мокрыми руками.
- Не включайте чайник без воды, после наполнения чайника, плотно закрывайте крышку.
- Следите, чтобы уровень воды в чайнике был не выше максимальной отметки «MAX». Если уровень воды будет выше максимальной отметки, кипящая вода может выплеснуться из чайника во время кипячения.
- Во избежание получения ожога горячим паром не наклоняйтесь над носиком чайника.
- Запрещается открывать крышку чайника во время кипячения воды.
- Поверхность чайника может иметь достаточно высокую температуру. Соблюдайте осторожность и аккуратность при контакте с нагретыми поверхностями чайника. Берите чайник за ручку.
- Будьте осторожны при переносе чайника, наполненного кипятком. Выливайте воду из чайника осторожно, не наклоняйте чайник резко, при неаккуратном

использовании чайника, вы можете получить ожог горячей водой.

- Отключайте чайник от электрической сети перед чистой или в том случае, если вы им не пользуетесь. При отключении подставки чайника от электрической сети держитесь только за вилку шнура питания и аккуратно выньте её из электрической розетки, не тяните за шнур питания – это может привести к повреждению шнура питания или розетки и вызвать короткое замыкание.
- Во избежание удара электрическим током не погружайте чайник в воду или любые другие жидкости.
- Запрещается помещать электрический чайник в посудомоечную машину.
- Из соображений безопасности не оставляйте полиэтиленовые пакеты, используемые в качестве упаковки, без присмотра и в местах доступных для детей.

ВНИМАНИЕ!

Не разрешайте детям играть с полиэтиленовыми пакетами или упаковочной плёнкой. **Опасность удушья!**

- Чайник не предназначен для использования детьми.
- Осуществляйте надзор за детьми, чтобы не допустить использования прибора в качестве игрушки.
- Не разрешайте детям прикасаться к устройству и к шнуру питания во время работы чайника.
- Во время работы и остывания размещайте устройство в местах, недоступных для детей.
- Данное устройство не предназначено для использования лицами (включая детей) с пониженными физиче-

- скими, психическими, сенсорными или умственными способностями, или при отсутствии у них опыта или знаний, если они не находятся под контролем или не проинструктированы об использовании прибора лицом, ответственным за их безопасность.
- Периодически проверяйте состояние шнура питания, вилки шнура питания, подставки и колбы чайника.
- При повреждении шнура питания его замену во избежание опасности должны производить изготовитель, сервисная служба или подобный квалифицированный персонал.
- Запрещается самостоятельно ремонтировать прибор. Не разбирайте прибор самостоятельно, при возникновении любых неисправностей, а также после падения устройства выключите прибор из электрической розетки и обратитесь в сервисный центр.
- Перевозите чайник в заводской упаковке.
- Храните устройство в местах, недоступных для детей и людей с ограниченными возможностями.
- Распакуйте чайник и удалите все упаковочные материалы и рекламные наклейки.
- Сохраните заводскую упаковку.
- Ознакомьтесь с мерами безопасности и рекомендациями по эксплуатации.
- Проверьте комплектацию.
- Осмотрите чайник на наличие повреждений при наличии повреждений не включайте его в электрическую розетку.
- Убедитесь, что параметры напряжения питания, указанные на нижней панели изделия или подставке, соответствуют параметрам электрической сети. При использовании чайника в электрической сети частотой 60 Гц, никакой дополнительной настройки не требуется.
- Протрите подставку (7), наружную и внутреннюю поверхность колбы (1) чистой, слегка влажной тканью для удаления пыли.
- Установите подставку (7) на твердую, устойчивую, ровную, не скользкую, неметаллическую поверхность вдали от источников тепла на максимально дальнем расстоянии от края поверхности.
- Не устанавливайте и не используйте чайник в замкнутом пространстве, например, в шкафу или в замкнутых конструкциях — это может привести к его поломке, причинению вреда пользователю или его имуществу.
- Внешнюю и внутреннюю поверхность колбы (1) протрите слегка влажной тканью, затем вытрите насухо. Не используйте для этих целей абразивные чистя-

ЭЛЕКТРИЧЕСКИЙ ЧАЙНИК ПРЕДНАЗНАЧЕН ТОЛЬКО ДЛЯ БЫТОВОГО ИСПОЛЬЗОВАНИЯ, ЗАПРЕЩАЕТСЯ ИСПОЛЬЗОВАТЬ ЧАЙНИК В КОММЕРЧЕСКИХ ИЛИ ЛАБОРАТОРНЫХ ЦЕЛЯХ

ПОДГОТОВКА ЧАЙНИКА К РАБОТЕ

После транспортировки или хранения устройства при пониженной температуре необходимо выдерживать его при комнатной температуре не менее трёх часов.

щие средства и жёсткие мочалки.

- Перед подключением чайника проверьте, чтобы на подставке (7), колбе (1), шнуре питания, вилке шнура питания не было капель влаги.
- Нажмите на клавишу (5), при этом крышка (4) откроется.
- Наполните чайник водой до отметки «МАХ», по шкале (9), расположенной на внутренней поверхности колбы (1).
- Закройте крышку (4) и убедитесь, что крышка (4) плотно закрыта.
- Поставьте чайник на подставку (7).
- Вставьте вилку шнура питания в электрическую розетку, при этом прозвучат 2 звуковых сигнала и цифровыми символами (13) отобразится температура воды в колбе (1) чайника.
- Нажмите кнопку включения/выключения (10) «☺», при этом прозвучит звуковой сигнал, цифровыми символами (13) будет показана температура нагрева воды, при достижении температуры воды 100°C, прозвучат звуковые сигналы, загорится индикатор кипячения воды (12) и нагревательный элемент чайника выключится.
- Снимите чайник с подставки (7) и аккуратно вылейте кипяченую воду в подходящую емкость.
- Помните, что внутри колбы (1) чайника кипяток, всегда держите чайник только за ручку (6), не наклоняйте чайник резко, при неаккуратном использовании чайника, вы можете получить ожог горячей водой.
- Повторите процедуру кипячения воды несколько раз.

ВНИМАНИЕ! Во избежание получения ожога горячим паром, не наклоняйтесь над носиком (3).

- Полученную в результате первых кипячений горячую воду не рекомендуется употреблять в пищу, вы можете использовать ее для бытовых нужд.

ИСПОЛЬЗОВАНИЕ ЭЛЕКТРИЧЕСКОГО ЧАЙНИКА

- Установите подставку (7) чайника на твердую, устойчивую, ровную, не скользкую, неметаллическую поверхность вдали от источников тепла на максимально дальнем расстоянии от края поверхности.

КИПЯЧЕНИЕ ВОДЫ

- Нажмите на клавишу (5), при этом крышка (4) откроется.
- Наполните чайник водой не ниже отметки «MIN» и не выше максимальной отметки «МАХ» на шкале (9), расположенной на внутренней поверхности колбы (1).
- Закройте крышку (4) и установите наполненный водой чайник на подставку (7).

Примечание: всегда следите за тем, чтобы капли воды не попали на контактную группу подставки (7).

- Вставьте вилку шнура питания в электрическую розетку, при этом прозвучат 2 звуковых сигнала и цифровыми символами (13) отобразится температура воды в колбе (1) чайника.

- Нажмите кнопку включения/выключения (10) «☺», при этом прозвучит звуковой сигнал, цифровыми символами (13) будет показана температура нагрева воды, при достижении температуры воды 100°C, прозвучат звуковые сигналы, загорится индикатор кипячения воды (12) и нагревательный элемент чайника выключится.
- При необходимости выключения чайника во время кипячения воды, нажмите кнопку включения/выключения (10) «☺».

Примечания:

- после кипячения воды на поверхности подставки (7) могут образоваться капли воды вследствие конденсации пара, это нормальное явление и не является гарантийным случаем;
- цифровые показания (13) температуры воды в колбе (1) чайника погаснут через 20 минут.

НАГРЕВ ВОДЫ ДО ЗАДАННОЙ ТЕМПЕРАТУРЫ

- Вы можете подогреть воду до необходимой температуры (40-50-60-70-80-90-100°C). Для заваривания разных сортов чая необходима определённая температура воды.
- Рекомендуется использовать температуру воды: 40-60°C – для детского питания и других нужд, 70°C – для белого и зелёного чая, 80°C – растворимого кофе, 90-100°C – чёрного чая.
- Нажмите на одну из кнопок (11) «+ или -» для выбора температуры «40-50-60-70-80-90-100°C», нажмите

кнопку включения/выключения (10) «☺», при этом, нагревательный элемент включится, и вода будет подогреться до установленной температуры.

Примечание: режим подогрева воды при установке температуры 100°C не активен и используется только для кипячения воды.


- По достижению заданной температуры прозвучат звуковые сигналы, загорится индикатор кипячения воды (12) и нагревательный элемент чайника выключится.
- При необходимости выключения функции нагрева воды, нажмите кнопку включения/выключения (10) «☺».

ФУНКЦИЯ ПОДДЕРЖАНИЯ ЗАДАННОЙ ТЕМПЕРАТУРЫ ВОДЫ


Примечания:

- функция позволяет поддерживать заданную температуру воды в течение 2 часов. По истечении этого времени режим поддержания температуры автоматически отключается;
- режим работы поддержания температуры периодический, если температура воды в колбе чайника (1) снизится на 5 градусов, включится режим кипячения, после кипячения вода будет остывать до установленной температуры;
- режим поддержания температуры воды 100°C не активен.
- Нажмите на одну из кнопок (11) «+ или -» для выбора заданной температуры поддержания воды «40-50-60-

70-80-90-100°C».

- Затем нажмите кнопку (15) «» включения режима поддержания температуры воды, при этом загорится индикатор режима кипячения (12) и индикатор режима поддержания температуры воды (14).
- Нагревательный элемент чайника включится, цифровыми символами (13) будет показана температура воды в колбе (1) чайника.
- Когда температура воды достигнет установленной температуры, прозвучат звуковые сигналы, индикатор режима кипячения (12) погаснет, нагревательный элемент чайника выключится, и включится функция поддержания температуры воды.

Примечания:

- если температура воды в колбе (1) чайника выше установленной температуры поддержания температуры воды, прозвучат звуковые сигналы и индикатор режима поддержания температуры воды (14) будет мигать;
- после остывания воды до установленной температуры, индикатор режима поддержания температуры воды (14) перестанет мигать и будет светиться постоянно, цифровыми символами (13) будет показана температура воды в колбе (1) чайника.
- При необходимости выключения функции поддержания температуры, нажмите кнопку включения/выключения режима поддержания температуры (15) «».

Примечание: если снять чайник с подставки на время менее одной минуты, режим поддержания температуры останется включенным.

- Если вы случайно включили чайник, а уровень воды оказался ниже минимальной отметки, то сработает автоматический термopредохранитель и чайник отключится. В этом случае снимите чайник с подставки (7) и дайте ему остыть в течение 10-15 минут, затем наполните чайник водой и включите, электрический чайник будет работать в нормальном режиме.

ЧИСТКА И УХОД

- Перед чисткой отключите чайник от электросети, слейте воду и дайте чайнику остыть.
- Протрите подставку (7) и внешнюю поверхность колбы (1) слегка влажной тканью, после этого вытрите подставку (7) и колбу (1) насухо. Для удаления загрязнений используйте мягкие чистящие средства, не используйте металлические губки и абразивные моющие средства и растворители.
- Не погружайте чайник, подставку (7), шнур питания и вилку шнура питания в воду или любые другие жидкости, запрещается промывать чайник в посудомоечной машине.

УДАЛЕНИЕ НАКИПИ

- Накипь, образующаяся внутри колбы (1), влияет на вкусовые качества воды, нарушает теплообмен между водой и нагревательным элементом, а также

создаёт угрозу выхода из строя нагревательного элемента, перегорание нагревательного элемента при наличии большого количества накипи в колбе (1), не является гарантийным случаем.

- Для удаления накипи можно использовать как специальные средства для удаления накипи, так и бытовые, например, лимонную кислоту.
- Растворите 25 г лимонной кислоты в 500 мл горячей воды, добавьте воду до максимального объема воды в чайнике.
- Залейте получившийся раствор в чайник и оставьте на 15-30 минут, при необходимости можно включить режим кипячения воды.
- Слейте жидкость и несколько раз ополосните колбу (1), несколько раз прокипятите воду.
- Для удаления накипи можно использовать специальные средства, предназначенные для электрических чайников или кофемашин, строго придерживайтесь инструкции по их применению, которая должна быть размещена на упаковке средства или в дополнительных материалах, предоставляемых продавцом.
- Регулярно очищайте чайник от накипи.

ХРАНЕНИЕ

- Прежде чем убрать чайник на длительное хранение, отключите его от электросети, слейте воду и дайте устройству остыть.
- Очистите подставку (7) и колбу (1).
- Шнур питания закрепите в месте намотки шнура (8)

на подставке (7).

- Храните чайник в сухом прохладном месте, недоступном для детей и людей с ограниченными возможностями.

КОМПЛЕКТ ПОСТАВКИ

1. Чайник электрический — 1 шт.
2. Подставка — 1 шт.
3. Инструкция — 1 шт.

ТЕХНИЧЕСКИЕ ХАРАКТЕРИСТИКИ

- Напряжение питания: 220-240 В, ~ 50/60 Гц
- Номинальная потребляемая мощность: 2200 Вт
- Максимальный объем воды: 1,5 л

УТИЛИЗАЦИЯ



Чтобы предотвратить возможный вред окружающей среде или здоровью людей от неконтролируемой утилизации отходов, после окончания срока службы устройства или элементов питания (если входят в комплект), не выбрасывайте их вместе с обычными бытовыми отходами, передайте прибор и элементы питания в специализированные пункты для дальнейшей утилизации.

Отходы, образующиеся при утилизации изделий, подлежат обязательному сбору с последующей утилизацией в установленном порядке.

Для получения дополнительной информации об утилизации данного продукта обратитесь в местный муниципалитет, службу утилизации бытовых отходов или в магазин, где Вы приобрели данный продукт.

Производитель сохраняет за собой право изменять дизайн, конструкцию и технические характеристики, не влияющие на общие принципы работы устройства, без предварительного уведомления.

Срок службы устройства – 3 года



Дата производства указана в серийном номере.

В случае обнаружения каких-либо неисправностей необходимо обратиться в авторизированный сервисный центр.

ЭЛЕКТР ШАЙНЕК BR1035

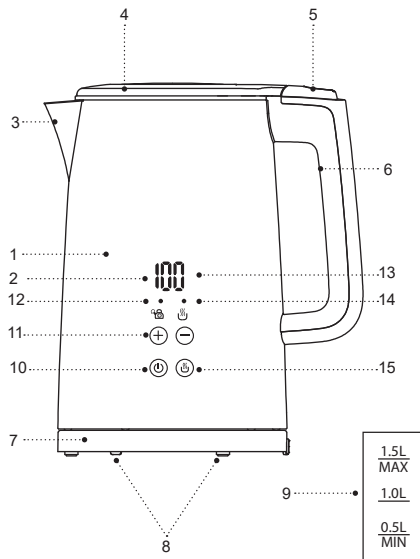
Сұйықтықты қыздыруға арналған электр аспап (шайнек) ішуге арналған суды қыздыруға және қайнатуға ғана арналған.

СИПАТТАМАСЫ

1. Шайнек құтысы
2. Басқару тақтасы
3. Шүмек
4. Қақпақ
5. Қақпақты ашу пернесі
6. Қолсабы
7. Түпқойма
8. Қуаттандыру бауын орау орны
9. Су деңгейінің ішкі шәкілі
10. Шайнекті қосу/сөндіру батырмасы «»
11. Температураны таңдау батырмасы «+», «-»
12. Суды қайнату режимінің индикаторы
13. Су температурасының цифрлық таңбалары
14. Су температурасын ұстап тұру режимінің индикаторы
15. Су температурасын қолдау режимін қосу батырмасы «»

НАЗАР АУДАРЫҢЫЗ!

Қосымша қорғаныс үшін қуаттандыру тізбегінде номиналды іске қосылу тогы 30 мА аспайтын қорғаныс сөндіру құрылғысын (ҚАҚ) орнатқан дұрыс, ҚАҚ-ны орнату үшін маманға хабарла-сыңыз.



ҚАУІПСІЗДІК ШАРАЛАРЫ ЖӘНЕ ПАЙДА- ЛАНУ БОЙЫНША НҰСҚАУЛЫҚ

Құрылғыны пайдаланар алдында пайдалану нұсқаулығын мұқият оқып шығыңыз, оқыған соң, болашақта пайдалану үшін сақтап қойыңыз.

- Электр шайнекті осы нұсқаулықта көрсетілгендей, тікелей тағайыны бойынша ғана пайдаланыңыз.
- Шайнекті дұрыс қолданбау оның бұзылуына, және пайдаланушыға немесе оның мүлкіне зиян келтіруге әкеп соғуы мүмкін және кепілдік жағдайы болып саналмайды.
- Шайнек ішуге арналған суды ғана қыздыруға және қайнатуға тағайындалған, қандай да бір басқа сұйықтықты қыздыруға немесе қайнатуға тыйым салынады.
- Заттаңбада көрсетілген электр шайнектің жұмыс кернеуі электр желісінің кернеуіне сәйкес екеніне көз жеткізіңіз.
- Шайнек міндетті түрде жерге қосұлы болуы қажет. Қысқа тұйықталу болған жағдайда, жерге қосу электр тогы соғу тәуекелін төмендетеді.
- Қуаттандыру бауы «еврошамен» жабдықталған; оны тек сенімді жерге қосылған, электр розеткаға ғана қосыңыз.
- Егер розетканың дұрыс орнатылғанына және жерге қосуына сенімді болмасаңыз, электр маманына хабарласыңыз.
- Өрттің пайда болуын болдырмау үшін қуат сымы-

ның ашасын жерге тұйықталмайтын электр розеткасына қосуға арналған «жалғастырғышты» пайдалануға тыйым салынады.

- Күйік иісі және от ұшқыны пайда болған кезде, электр розеткасынан қуат сымының ашасын шығарыңыз және үйіңіздің электр желісіне қызмет көрсететін ұйымға хабарласыңыз.
- Құтыдан немесе шайнек корпусынан түтін шыққан жағдайда, электр розеткасынан қуат сымының ашасын шығарыңыз, шайнек қақпағын ашпаңыз, отты таратпау шараларын қолданыңыз. Шайнекті тексерту немесе жөндету үшін сервис орталығына жүгініңіз.
- Электр шайнекті үй-жайдан тыс жерде пайдалануға тыйым салынады.
- Найзағай кезінде құрылғыны пайдалану ұсынылмайды.
- Шайнекке бөгде заттарды қоймаңыз.
- Құрылғыны соққыдан, құлаудан, дірілден және басқа да механикалық әсерлерден сақтаңыз.
- Желіге қосұлы тұрған, электр шайнекті қараусыз қалдырмаңыз.
- Шайнекті ас үй раковинасына жақын, жуынатын бөлмеде, бассейндер немесе басқа да су толтырылған сыйымдылықтарға жақын жерде пайдаланбаңыз.
- Егер құрылғы суға құлап кетсе, дереу қуат сымының ашасын электр розеткасынан сурыңыз, содан кейін ғана құрылғыны судан алып шығыңыз. Шайнекті тексерту немесе жөндету үшін сервис орталығына жүгініңіз.

- Электр шайнекті жылытатын аспаптардың, ашық оттың немесе жылу көздерінің тікелей қасында пайдаланбаңыз.
- Электр шайнекті аэрозольдар пайдаланылатын немесе шашырайтын жерлерде, сондай-ақ тез тұтанатын сұйықтықтарға жақын жерлерде пайдалануға тыйым салынады.
- Электр шайнекті тегіс және тұрақты бетке орнатыңыз, оны үстелдің шетіне қоймаңыз. Желі бауының үстелден салбырамауын, сондай-ақ оның ыстық беткейлерге және өткір шеттерге тиіп тұрмауын қадағалаңыз.
- Шайнектің шүмегін ағаш жиһазға, кітаптарға, ылғалдан немесе ыстық будан бүлінетін заттарға бағыттамаңыз.
- Қуаттандыру бауы мен ашаға дымқыл қолмен тиісуге тыйым салынады.
- Шайнекті сусыз қоспаңыз, шайнекті толтырғаннан кейін қақпағын тығыз жабыңыз.
- Шайнектегі судың деңгейі шайнек құттысы ішіне салынған «MAX» максималды белгісінен жоғары болмауын қадағалаңыз. Егер судың көлемі максималдық белгіден асып тұрса, қайнаған кезде қайнаған су шайнектен тасып төгілуі мүмкін.
- Суды қайнату кезінде ыстық буға күйіп қалмау үшін жұмыс істеп тұрған шайнектің шүмегіне төнбеңіз.
- Суды қайнатқан кезде шайнектің қақпағын ашуға тыйым салынады.
- Шайнектің беті өте жоғары температурада болуы мүмкін. Шайнектің қызған беттеріне тиіскен кезде

ұқыптылық пен абайлық сақтаңыз. Шайнекті тұтқасынан ұстаңыз.

- Қайнаған суға толы шайнекті тасымалдаған кезде сақ болыңыз. Шайнек суын төккенде абайлаңыз, шайнекті күрт еңкейтпеңіз, шайнекті ұқыпсыз пайдаланғанда, сіз ыстық суға күйіп қалуыңыз мүмкін.
- Тазалау алдында, немесе егер сіз шайнекті пайдаланбасаңыз, шайнекті электр желісінен ажыратыңыз. Шайнек түпқоймасын электр желісінен ажыратқан кезде тек қуат ашасынан ұстаңыз және оны электр розеткасынан абайлап шығарыңыз, қуат сымынан тартпаңыз – бұл қуат сымының және розетканың зақымдануына әкелуі және қысқа тұйықталуды тудыруы мүмкін.
- Электр тогының соғу қаупін болдырмас үшін электр шайнекті суға немесе кез келген басқа да сұйықтыққа батырмаңыз.
- Электр шайнекті ыдыс жуатын машинаға салуға тыйым салынады.
- Балалардың қауіпсіздігі мақсатында қаптама ретінде қолданылатын полиэтилен қапшықтарды қараусыз қалдырмаңыз.

НАЗАР АУДАРЫҢЫЗ!

Балаларға полиэтилен пакеттерімен немесе қаптама үлдірімен ойнауға рұқсат етпеңіз. **Тұншығу қаупі бар!**

- Электр шайнек балалардың пайдалануына арналмаған.

- Аспапты ойыншық ретінде пайдаланбас үшін, балаларды қадағалап отырыңыз.
- Электр шайнек жұмыс істеп тұрғанда, желі бауын және құрылғыға тиісуіне балаларға рұқсат бермеңіз.
- Жұмыс кезінде және суу кезінде құрылғыны балалардың қолы жетпейтін жерге қойыңыз.
- Осы құрылғы дене, психикалық немесе ақыл-ой мүмкіндіктері төмендетілген тұлғалардың
- Бұл құрылғы физикалық, психикалық, сенсорлық немесе ақыл-ой қабілеттері төмендеген адамдардың (балаларды қоса алғанда) пайдалануына арналмаған немесе олардың қауіпсіздігі үшін жауапты адамның бақылауында болмаса немесе аспапты пайдалануы туралы нұсқау берілмесе, олардың тәжірибесі немесе білімі болмаса олардың пайдалануға арналмаған.
- Қуаттандыру бауының желі ашасы және шайнек корпусының жағдайын мезгілімен тексеріңіз.
- Қуаттандыру бауы зақымданғанда қауіп тудырмау үшін оны дайындаушы, сервистік қызмет немесе баламалы білікті маман ауыстыруы тиіс.
- Аспапты өз бетіңізбен жөндеуге тыйым салынады. Аспапты өз бетіңізбен жөндемеңіз, кез келген ақаулықтар пайда болған кезде, сондай-ақ құрылғы құлағаннан кейін аспапты электр розеткасынан ажыратып, қызмет көрсету орталығына хабарласыңыз.
- Құрылғыны тек зауыт қыптамасымен ғана тасымалдаңыз.

- Құрылғыны балалардың және мүмкіндіктері шектеулі адамдардың қолы жетпейтін жерде сақтаңыз.

ҚҰРЫЛҒЫ ТЕК ТҰРМЫСТЫҚ ПАЙДАЛАНУҒА АРНАЛҒАН, ҚҰРЫЛҒЫНЫ КОМЕРЦИЯЛЫҚ НЕМЕСЕ ЗЕРТХАНАЛЫҚ МАҚСАТТАРДА ПАЙДАЛАНУҒА ТЫЙЫМ САЛЫНАДЫ.

ШАЙНЕКТІ ЖҰМЫСҚА ДАЙЫНДАУ

Құрылғыны тасымалдағаннан кейін немесе төмен температурада сақтағаннан кейін оны бөлме температурасында үш сағаттан кем емес уақыт ұстау қажет.

- Шайнекті қаптамасынан шығарыңыз және барлық қаптама материалдары мен жарнамалық жапсырмаларды алып тастаңыз
- Зауыт қаптамасын сақтаңыз.
- Қауіпсіздік шаралары мен пайдалану нұсқауларымен танысыңыз.
- Жинақталымын тексеріңіз.
- Шайнекті зақымдануына қатысты байқаңыз зақымдануы болған жағдайда оны желіге қоспаңыз.
- Бұйымның төменгі панелінде немесе түпқоймасында көрсетілген қуаттандыру кернеуінің параметрлері электр желісінің параметрлеріне сәйкес келетініне көз жеткізіңіз. Шайнекті 60 Гц жиіліктегі электр желісінде пайдаланғанда, ешқандай қосымша баптау қажет емес.
- Түпқойманы (7), құтының сыртқы және ішкі бетін

- (1) шаңды жою үшін таза, сәл дымқыл матамен сүртіңіз.
- Түпқойманы (7) қатты, тұрақты, тегіс, тайғақ емес, металл емес бетке жылу көздері беттерінің шетінен барынша алыс қашықтықта орнатыңыз.
 - Шайнекті жабық кеңістікте, мысалы, шкафаға немесе жабық құрылымдарға орналастырмаңыз және пайдаланбаңыз — бұл оның сынуына, пайдаланушыға немесе оның мүлкіне зиян келтіруіне әкелуі мүмкін.
 - Құтының сыртқы және ішкі бетін (1) сәл дымқыл матамен сүртіңіз, содан кейін құрғатып сүртіңіз. Осы мақсаттарға абразивті тазалау құралдарын және қатты жөкелерді пайдаланбаңыз.
 - Шайнекті қосар алдында түпқоймада (7), құтыда (1) қуаттандыру бауында, қуаттандыру бауының ашасында ылғал тамшысы болмауын тексеріңіз.
 - Пернеге (5) басыңыз, осы ретте қақпақ (4) ашылады.
 - Құтының (1) ішкі бетінде орналасқан шәкіл (9) бойынша шайнекті «MAX» белгісіне дейін сумен толтырыңыз.
 - Қақпақты (4) жабыңыз, қақпағы (4) тығыз жабылғанына көз жеткізіңіз.
 - Шайнекті түпқоймаға (7) қойыңыз.
 - Қуат бауының ашасын электр розеткасына тығыңыз, осы кезде 2 дыбыстық белгі естіледі, және шайнек құтысында (1) судың температурасы цифрлық таңбалар (13) арқылы көрсетіледі.
 - Қосу/өшіру батырмасын (10) «☺» басыңыз, осы

ретте дыбыстық белгі естіледі, цифрлық таңбалар (13) арқылы судың қызу температурасы көрсетіледі, судың температурасы 100°C-қа жеткенде дыбыстық белгілер шығады, судың қайнау индикаторы (12) жанады және шайнектің қыздыру элементі өшеді.

- Шайнекті түпқоймадан шешіп алыңыз, қайнаған суды қолайлы ыдысқа абайлап құйыңыз.
- Шайнек құтысының ішінде (1) қайнаған су екенін есте сақтаңыз, әрқашан шайнекті тек қолсаынан ұстаңыз (6) шайнекті күрт еңкейтпеңіз, шайнекті ұқыпсыз пайдаланғанда, сіз ыстық суға күйіп қалуыңыз мүмкін.
- Суды қайнату рәсімін бірнеше рет қайталаңыз.

НАЗАР АУДАРЫҢЫЗ! Ыстық буға күйіп қалмас үшін, шайнек шүмегінің (3) үстіне еңкеймеңіз.

- Алғашқы қайнату нәтижесінде алынған ыстық суды тамаққа қолдану ұсынылмайды, оны тұрмыстық қажеттіліктер үшін пайдалануға болады.

ЭЛЕКТР ШАЙНЕКТІ ПАЙДАЛАНУ

- Шайнекті қатты, тұрақты, тегіс, тайғақ емес, металл емес бетке жылу көздері беттерінің шетінен барынша алыс қашықтықта орнатыңыз.

СУДЫ ҚАЙНАТУ

- Пернеге (5) басыңыз, осы ретте қақпақ (4) ашылады.
- Шайнекті «MIN» белгісінен төмен қылмай және

құтының ішкі бетінде (1) орналасқан шкаладағы (9) «MAX» белгісінен жоғары қылмай суға толтырыңыз.

- Қақпақты (4) жабыңыз және су толтырылған шайнекті түпқоймаға (7) орнатыңыз.

Ескертпе: су тамшылары түпқойманың (7) байланыс тобына түспейтінін әрқашан қадағалап отырыңыз.

- Желі бауының ашасын электр розеткасына тығыңыз, осы кезде 2 дыбыстық белгі естіледі, және шайнек құтысындағы (1) цифрлық таңбалар (13) арқылы судың температурасы көрсетіледі.
- Қосу/өшіру батырмасын (10) «☉» басыңыз, осы ретте дыбыстық белгі естіледі, цифрлық таңбалар (13) арқылы судың қызу температурасы көрсетіледі, судың температурасы 100°C-қа жеткенде дыбыстық белгілер шығады, судың қайнау индикаторы (12) жанады және шайнектің қыздыру элементі өшеді.
- Су қайнаған кезде, дыбыстық белгілер естіледі, батырманың «100°C» жарығы көк түспен жанып тұрады, қосу/өшіру батырмасының жарығы (3) «ON/OFF» жасыл түспен жанып тұрады.
- Шайнекті өшіру қажет болса, қосу/сөндіру батырмасын (3) «ON/OFF» басыңыз.

БЕРІЛГЕН ТЕМПЕРАТУРАҒА ДЕЙІН СУДЫ ҚЫЗДЫРУ

- Сіз суды қажетті температураға дейін қыздыра аласыз. Шайдың түрлі сұрыптарын қайнату үшін судың белгілі бір температурасы қажет.

- Судың температурасын пайдалану ұсынылады: 40-60°C – балалар тағамы және басқа қажеттіліктер үшін, 70°C – ақ және көк шай үшін, 80°C – еритін кофе, 90-100°C – қара шай үшін.
- «40-50-60-70-80-90-100°C» температурасын таңдау үшін (11) «+ немесе -» батырмаларының бірін басыңыз, қосу/өшіру батырмасын (10) «☉» басыңыз, бұл ретте қыздыру элементі қосылып, су белгіленген температураға дейін қызады.

Ескертпе: суды қайнатқаннан кейін түпқойманың (7) бетінде будың конденсациясына байланысты су тамшылары пайда болуы мүмкін, бұл қалыпты жағдай және кепілдік жағдайы болып табылмайды.

- Берілген температураға жеткенде дыбыс белгісі естіледі, батырмаларының жарығы өшеді.
- Қыздыру қызметін сөндіру қажет болса, қосу/сөндіру батырмасын (10) «☉» басыңыз.

СУДЫҢ БЕРІЛГЕН ТЕМПЕРАТУРАСЫН ҚОЛДАУ ҚЫЗМЕТІ

Ескертпе:


- қызмет берілген су температурасын 2 сағат бойы қайта қайнатпай қолдап тұруға мүмкіндік береді. Осы уақыт өткеннен кейін температураны қолдау режимі автоматты түрде өшіріледі;
- температураны қолдау жұмыс режимі мезгілдік болады, егер шайнек құтысындағы су температурасы 5 градусқа төмендесе, қайнау режимі қосылады, қайнатылғаннан кейін су белгіленген

- температураға дейін салқындатылады;
- 100°C су температурасын ұстап тұру режимі белсенді емес.
 - Суды берілген температурада «40-50-60-70-80-90-100°C» ұстап тұруды таңдау үшін (11) «+ немесе -» батырмаларының бірін басыңыз.
 - Содан кейін су температурасын ұстап тұру режимін қосу батырмасын (15) « » басыңыз, осы ретте қайнау режимінің индикаторы (12) және су температурасын ұстап тұру режимінің индикаторы (14) жанады.
 - Шайнектің қыздыру элементі қосылады, цифрлық таңбалар (13) арқылы шайнек құтысындағы (1) судың температурасын көрсетіледі.
 - Судың температурасы белгіленген температураға жеткенде, дыбыстық белгілер шығады, қайнау режимінің индикаторы (12) сөнеді, шайнектің қыздыру элементі сөніп, судың температурасын ұстап тұру функциясы қосылады.

Ескертпелер:

- егер шайнек құтысындағы (1) судың температурасы су температурасын ұстап тұрудың белгіленген температурасынан жоғары болса, дыбыстық белгілер шығады және су температурасын ұстап тұру режимінің индикаторы (14) жыпылықтайды;
- су белгіленген температураға дейін салқындағаннан кейін, су температурасын ұстап тұру режимінің индикаторы (14) жыпылықтауды тоқтатады және

үнемі жанып тұрады, цифрлық таңбалар (13) шайнектің құтысындағы (1) судың температурасын көрсетеді.

- Қыздыру қызметін сөндіру қажет болса, температураны қолдау режимін (15) «» қосу/сөндіру батырмасын басыңыз.

Ескертпе:

- егер шайнекті түпқоймадан 1 минуттан аз уақытқа шешіп алсаңыз, температураны қолдау режимі қосылған күйінде қалады.
- Егер сіз шайнекті кездейсоқ қосып қойсаңыз, ал судың деңгейі минималды белгіден төмен болса, онда автоматты термосақтандырғыш қосылады және шайнек өшеді. Бұл жағдайда шайнекті түпқоймадан (7) шешіп алыңыз және 10-15 минут бойы суытыңыз, содан кейін шайнекті сумен толтырыңыз және қосыңыз, электр шайнек қалыпты режимде жұмыс істейтін болады.

ТАЗАРТУ ЖӘНЕ КҮТІМІ

- Тазалау алдында шайнекті электр желісінен ажыратып, суды ағызыңыз және шайнекті суытыңыз.
- Түпқойманы (7) және түпқойманың сыртқы бетін (1) сәл дымқыл матамен сүртіңіз, содан кейін түпқойманы (7) және құтыны (1) құрғатып сүртіңіз. Ластануды жою үшін жұмсақ тазалағыш құралдарды пайдаланыңыз, металл губкаларды және абразивті жуғыш заттарды және еріткіштерді пайдаланбаңыз.

- Электр шайнекті, түпқойманы (7) және қуат сымын суға немесе басқа да сұйықтықтарға салмаңыз, шайнекті ыдыс жуғыш машинада жууға тыйым салынады.

ҚАҚТЫ ЖОЮ

- Құтының (1) ішінде түзілетін қақ судың дәмдік сапасына әсер етеді, су мен жылыту элементі арасындағы жылу алмасуын бұзады, сондай-ақ қыздыру элементінің істен шығып қалу қаупін тудырады, құтыдағы (1) қақтың көп мөлшерінен қыздыру элементінің жанып кетуі кепілдік жағдайы болып табылмайды.
- Қақты жою үшін арнайы қақты жою құралдарын, сондай-ақ тұрмыстық мысалы, сірке су немесе лимон қышқылын қолдануға болады.
- 25 г лимон қышқылын 500 мл ыстық суда ерітіңіз, шайнектегі судың максималды көлеміне дейін су қосыңыз.
- Алынған ерітіндіні шайнекке құйып, 15-30 минутқа қалдырыңыз, қажет болса, қайнаған су режимін қосуға болады.
- Сұйықтықты төгіңіз және құтыны (1) бірнеше рет шайыңыз, суды бірнеше рет қайнатыңыз.
- Қақты жою үшін электр шайнектерге немесе кофе машиналарына арналған арнайы құралдарды пайдалануға болады, оларды қолдану жөніндегі нұсқаулықты қатаң ұстаңыз, ол құралдың қаптамасында немесе сатушы ұсынатын қосымша материалдар-

да орналастырылуы тиіс.

- Шайнекті қақтан мезгілімен тазалаңыз.

САҚТАУ

- Шайнекті ұзақ уақыт сақтауға қояр алдында, оны электр желісінен ажыратыңыз, суды ағызып, құрылғыны салқындатыңыз.
- Түпқойманы (7) және құтыны (1) тазалаңыз.
- Шайнекті құрғақ салқын жерде балалар мен мүмкіндігі шектеулі адамдардың
- Қуат сымын түпқоймадағы (7) бауды орайтын орынға (8) бекітіңіз.
- Шайнекті балалардың және мүмкіндігі шектеулі адамдардың қолы жетпейтін салқын, құрғақ жерде сақтаңыз.

ЖЕТКІЗІЛІМ ЖИНАҒЫ

1. Электр шайнек — 1 дн.
2. Түпқойма — 1 дн.
3. Нұсқаулық — 1 дана.

ТЕХНИКАЛЫҚ СИПАТТАМАЛАРЫ

- Қуаттандыру кернеуі: 220-240 В, ~ 50/60 Гц
- Номиналдық тұтыну қуаттылығы: 2200 Вт
- Судың максималдық көлемі: 1,5 л

ПАЙДАҒА АСЫРУ



Қалдықтардың бақыланбай пайдаға асыруынан қоршаған ортаға немесе адамдардың денсаулығына зиян келтірмеу үшін, құрылғының немесе қуаттандыру элементтерінің (егер жинақталымға

кірсе) қызмет ету мерзімі аяқталғаннан кейін оларды әдеттегі тұрмыстық қалдықтармен бірге тастамаңыз, аспапты және қуаттандыру элементтерін одан әрі пайдаға асыру үшін арнайы пункттерге жіберіңіз.

Бұйымдарды пайдаға асыру кезінде пайда болатын қалдықтар белгіленген тәртіп бойынша келесі пайдаға асырылатын тәртіппен міндетті түрде жинауға жатады.

Берілген өнімді пайдаға асыру туралы қосымша ақпаратты алу үшін жергілікті муниципалитетке, тұрмыстық қалдықтарды пайдаға асыру қызметіне немесе берілген өнімді сіз сатып алған дүкенге жүгініңіз.

Өндіруші алдын-ала ескертусіз, құрылғының дизайнын, конструкциясы мен оның жалпы жұмыс ұстанымдарына әсер етпейтін техникалық сипаттамаларын өзгерту құқығын өзіне қалдырады.

Құрылғының қызмет ету мерзімі – 3 жыл

Өндірілген күні сериялық нөмірде көрсетілген.

Қандай да бір ақаулықтар табылған жағдайда дереу авторландырылған сервистік орталыққа жүгіну керек.

The page contains a series of horizontal dotted lines spaced evenly down the page, intended for writing. There are 20 lines in total, starting from the top margin and extending to the bottom margin.

Hergestellt für «Ruste GmbH»,
Berggasse 18/18, 1090 Wien,
Österreich

Produced for «Ruste GmbH»,
Berggasse 18/18, 1090 Vienna, Austria

Изготовлено по заказу Русте Гмбх,
Бергассе 18/18, 1090 Вена, Австрия

Уполномоченное изготовителем
лицо: ООО «Грантэл»
143912, МО, г. Балашиха,
ш. Энтузиастов, вл. 1А
т.: +7 (495) 297-50-20,
e-mail: info@brayer.su

Made in China/Произведено в Китае



brayer.ru

