

Instruction manual
Инструкция по эксплуатации

Ice generator BR6301
Льдогенератор BR6301



СОДЕРЖАНИЕ

EN.....	3
DE.....	13
RU.....	25
KZ.....	37

ICE GENERATOR BR6301

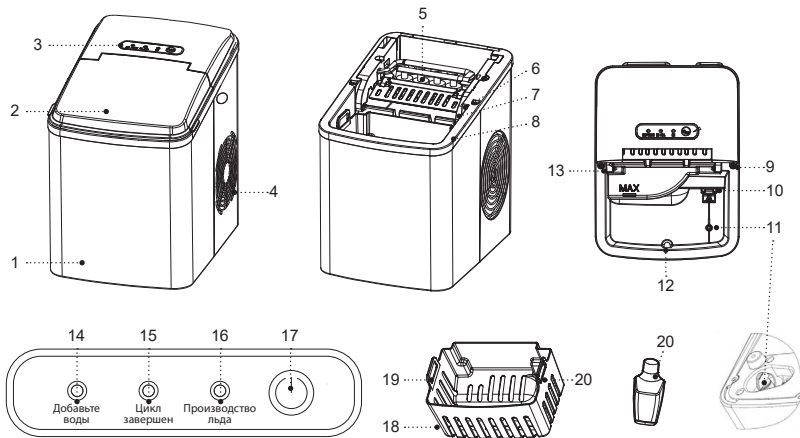
Ice generator is a household device for quick making ice.

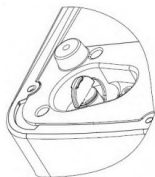
DESCRIPTION

1. Body
2. Lid
3. Control/indication panel
4. Ventilation grid
5. Evaporator
6. Ice tray
7. Ice shovel
8. Water tank
9. Infrared diode
10. Water filter
11. Drain plug
12. Maximum water level mark "MAX"
13. Photodetector
14. Indicator of the end of water in the tank "Add water"
15. Ice basket full indicator "Basket full"
16. Operating/standby indicator "Ice"
17. Ice generator On/Off button "On/Off"
18. Ice basket
19. Basket handles
20. Ice scoop

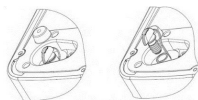
ATTENTION!

For additional protection it is reasonable to install a residual current device (RCD) with nominal operation current not exceeding 30 mA into the mains. To install RCD, contact a specialist.

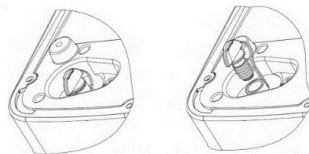




Pic. 1



Pic. 2



Pic. 3

SAFETY MEASURES AND OPERATION RECOMMENDATIONS

Please read the instruction manual carefully before using the ice generator and keep it for future reference.

- Use the ice generator only for its intended purpose as described in this manual.
- Mishandling the ice generator can lead to its breakage and cause harm to the user or damage to the user's property and is not covered under warranty.
- Use only the accessories included in the package.
- Do not store any foreign objects in the ice generator.
- Make sure that the operating voltage of the ice generator indicated on the label corresponds to the mains voltage.
- The power cord plug is equipped with a grounding contact; insert it into the mains socket with reliable grounding contact. In case of short circuit the grounding reduces the risk of electric shock.
- Contact an electrical technician if you are not sure that your sockets are installed properly and grounded.
- To prevent fire, do not use «adapters» designed to connect the power cord plug to the mains socket having no grounding contact.
- If you must use an electrical extension cord, use only a 3-wire electrical extension cord with the grounding contact on the power plug and the mains socket. The wire cross-section marking on the ice generator's power cord and the marking on the extension cord must match.
- In case of sparking in the mains socket and occurrence of smell of burning, unplug the unit and apply to the organization maintaining your home mains.
- If smoke appears from the body of the ice generator, unplug the unit and take measures to prevent fire spreading.
- Do not use the ice generator outdoors.
- It is not recommended to use the unit during lightning storms.
- Protect the unit from impacts, falling, vibrations and other mechanical stress.
- Do not run the ice generator without water.
- Do not fill the ice generator with water directly from the faucet; to fill the ice generator use a suitable bowl.
- Place the ice generator on a flat, stable surface with a minimum distance of 15-20 cm from the wall or furniture to the ice generator.
- Provide easy access to the power cord plug to quickly disconnect the ice generator.
- Do not install the unit at an angle of slope of more than 45 degrees.
- Do not overturn the ice generator; if the ice generator has been overturned, install it correctly and wait at least 2 hours before switching it on.
- Do not leave the ice generator plugged in unattended.

- Do not use the ice generator in proximity to the kitchen sink, in bathrooms, near swimming pools or other containers filled with water. If the unit has been dropped into water, unplug it immediately and only then you can take the unit out of water. Apply to the service center for testing or repairing the ice generator.
- The ice generator is designed to operate in an ambient temperature range of 10°C to 32°C and the tank water temperature should be between 8°C and 25°C.
- Do not use the ice generator near heating appliances, heat sources or open flame.
- Do not use the ice generator in places where aerosols are used or sprayed and close to inflammable liquids.
- Place the ice generator on a flat, stable surface; do not place it on the edge of a table. Do not let the power cord hang from the edge of the table and make sure it does not touch hot surfaces or sharp edges of furniture.
- Do not touch the power cord and the power plug with wet hands.
- Make sure that the water level in the ice generator is not above the maximum level.
- Unplug the ice generator before cleaning or when not in use. When unplugging the ice generator hold only the power cord plug and carefully remove it from the mains socket, do not pull the power cord – this can lead to damage of the power cord or the socket or cause short circuit.
- To avoid electric shock do not immerse the ice generator into water or any other liquids.
- For safety reasons, do not leave plastic bags used for packaging unkept or within the reach of children.

ATTENTION! Do not allow children to play with polyethylene bags or packaging film. Danger of suffocation!

- The ice generator is not intended for use by children.
- Do not leave children unattended to prevent using the unit as a toy.
- Do not allow children to touch the unit and the power cord during the ice generator operation.
- Place the unit out of reach of children during the operation.
- The unit is not intended for usage by physically, sensory or mentally disabled persons (including children) or by persons lacking experience or knowledge if they are not under supervision of a person who is responsible for their safety or if they are not instructed by this person on the usage of the unit.
- Periodically check the condition of the power cord and power cord plug.
- If the power cord is damaged, it should be replaced by the manufacturer, a maintenance service or similar qualified personnel to avoid danger.
- Do not cover the ventilation grid on the unit body and keep it clean; this affects the efficiency of the ice generator operation.

- The presence of refrigerant creates a hazard for anyone other than service personnel when performing maintenance or repairs on this unit.
- Avoid damaging the cooling circuit. If a significant refrigerant leak is detected, immediately disconnect the ice generator from the electrical network by unplugging the power cord from the mains socket, open windows and doors to ventilate the room, do not smoke or use open flames, contact the service center.
- Do not repair the unit by yourself. Do not disassemble the unit by yourself, if any malfunction is detected, and after it was dropped, unplug the unit and apply to the service center.
- Transport the ice generator in its original packaging in an upright position.
- Store the unit upright and out of the reach of children and people with disabilities.

THE UNIT IS INTENDED FOR HOUSEHOLD USE ONLY; USING THE UNIT FOR COMMERCIAL OR LABORATORY PURPOSES IS PROHIBITED.

BRIEF DESCRIPTION OF THE ICE GENERATOR'S OPERATING PRINCIPLE

- The operating principle of the ice generator is similar to the operation of a refrigerator, but with some changes.

- The main parts and components of the ice generator include: compressor, evaporator (5), condenser, water pump.
- The compressor pumps refrigerant, which is cooled by the radiator and fan to ambient temperature, and then, leaving the capillary channel, it expands and its temperature drops below zero.
- Water is pumped into the evaporator (5) using a pump; as a result of cooling, the water freezes on the surface of the evaporator (5) within 7-15 minutes forming ice. The time it takes for water to freeze depends on the ambient temperature and the temperature of the water in the ice generator tank.
- As soon as the ice freezes, the ice tray (6) tilts back and the remaining water from the tray is drained back into the tank (8). To separate the ice from the evaporator, hot steam is directed at it; as a result, the ice is easily separated from the evaporator and falls into the basket.
- After this, the ice tray (6) automatically returns to its position under the evaporator (5) and the next ice freezing cycle begins.
- To prevent the ice basket from overflowing, the unit has an infrared sensor for filling the basket; if you take a certain amount of ready-made ice from the basket, the ice generator starts a cycle of preparing a new portion of ice until the basket is

filled with ice again. The ice generator operates fully automatically; you do not need to control its operation.

BEFORE USING THE ICE GENERATOR

After transporting or storing the unit at low temperatures, it must be kept at room temperature for at least 3 hours.

- Unpack the ice generator and remove all packaging materials.
- Keep the original package.
- Read the safety measures and operating recommendations.
- Check the delivery set.
- Examine the ice generator for damages; if it is damaged, do not plug it into the mains.
- Make sure that the supply voltage specified on the label matches that of the mains.
- Wipe the ice generator body (1) and the inner surface with a damp cloth, then wipe it dry.
- Open the lid (2), remove the ice basket (18) by holding the handles (19), wash the ice basket (18) and ice scoop (20) with warm water and neutral detergent, rinse and dry.
- Place the carrying handle (4) in place (Fig. 1). Slightly unclench the handle (4) and insert it at an angle into the holes on the body (1), make sure that the handle is installed correctly.
- Make sure that the drain plug (11) is in place (Fig. 1).

TIPS

For reasons of hygiene, it is not recommended to use ice from the first preparation cycle.

- Do not use the ice generator at a temperature below 5°C.
- The ice generator is designed to operate in ambient temperatures between 10°C and 32°C.
- Fill the tank with water at a temperature between 8°C and 25°C.
- Place the ice generator on a flat, stable surface with a minimum distance of 15-20 cm from the wall or furniture to the ice generator.
- Provide easy access to the power cord plug to quickly disconnect the ice generator.
- Do not install the unit at an angle of slope of more than 45 degrees.
- Do not overturn the ice generator; if the ice generator has been overturned, install it correctly and wait at least 2 hours before switching it on.
- Fill the tank with water at room temperature that has been purified by household
- water filters. Do not pour hot water into the tank as this may damage the ice generator.
- Due to rapid freezing, the ice may have a «milky» color due to the air contained in the water, but this does not affect the quality of the ice.
- If you need pure ice, use boiled, pre-cooled drinking water.

- It is recommended to change the water in the tank every 24 hours, otherwise sediment may form in the water and the ice will become cloudy.
- Clean the ice generator at least once a week.

USING THE ICE GENERATOR

- Open the lid (2) of the ice generator and pull out the basket (18) by holding the handles (19).
- Pour water into the tank (8), without exceeding the maximum water level (12) «MAX».
- Place the basket (18) into place, close the lid (2).
- Plug the power cord into the mains socket; the ice generator will go into standby mode and the «Ice» indicator (18) will flash.
- Switch the ice generator on by pressing the On/Off button «On/Off» (17), the ice generator will go into ice freezing mode and the «Ice» indicator (18) will glow continuously.
- The ice freezing cycle lasts approximately 7-15 minutes depending on the temperature of the water and the environment.

Note: when the ice generator is switched on, the compressor is switched on, so the operation of the ice generator is accompanied by a certain noise (by analogy with a household refrigerator).

- To stop the ice generator, press the On/Off button «On/Off» (17) again, the «Ice» indicator (18) will flash.
- When the basket (18) is filled with ice, the ice generator will stop operating and the «Basket Full»

indicator (15) will light up in red. Open the lid (2) of the ice generator and pull out the basket (18) by holding the handles (19), use the scoop (20) to empty the ice from the basket (18) and place the basket (18) into place.

Note: the infrared diode (9) and photodetector (13) monitor the filling process of the basket (18), so the diode (9) and photodetector (13) must always be kept clean.

- If the «Basket is full» indicator (15) lights up red, you can open the lid (2), remove the basket (18) and shake it slightly; if there is free space in it, put the basket (18) into place, close the lid (2), the ice generator will be switched on and the basket (18) will be filled with ice.
- When the water in the tank (8) runs out, the «Add water» indicator (16) will light up red.
- Before pouring water into the tank (8), switch off the ice generator by pressing the On/Off button «On/Off» (17), unplug the power cord from the mains socket, open the lid (2), pull out the basket (18) by holding the handles (19), pour water into the tank (8), without exceeding the maximum water level (12) «MAX», put the basket (18) into place, close the lid (2). Plug the power cord into the mains socket and switch on the ice generator by pressing the On/Off button «On/Off» (17).

Note: Unless you unplug the power cord from the mains socket and switch the ice generator on again, the ice generator will begin making ice after 5 minutes.

- When the ice generator has finished operating, switch it off by pressing the On/Off button «On/Off» (17) and unplug the power cord from the mains socket.

CLEANING AND CARE

IMPORTANT!

- Clean the ice generator at least once a week.
- After cleaning, make sure the inner surfaces of the ice generator are dry, otherwise mold may form.
- Before cleaning the ice generator, switch it off by pressing the On/Off button «On/Off» (17) and unplug the power cord from the mains socket.
- Allow the ice generator to warm up to room temperature.
- Do not immerse the ice generator, the power cord or the power plug into water or any other liquids.
- If there is any water left in the tank, pour it out. To do this, pull out the unit to a distance of 60 mm from the table (Fig. 2), place a suitable container to collect water and pull out the drain plug (11) (Fig. 3).
- Open the lid (2) of the ice generator and pull out the basket (18) by holding the handles (19).
- Wipe the inner surface of the ice generator with a soft cloth soaked in a 1:1 solution of table vinegar. After this, rinse the inner surface with clean water and drain all water.

Attention! To avoid damages, do not clean the evaporator (5).

- Reinstall the drain plug (11) (Fig. 1).

- Wash the ice basket (18) and ice scoop (20) with warm water and neutral detergent, rinse and dry them.
- If there is dirt on the infrared diode (9) and photodetector (13), wipe them with a dry cloth.
- Keep the ventilation grid (4) clean, you can clean it with a vacuum cleaner using a respective attachment.
- Wipe the ice generator body (1) with a damp cloth, then wipe dry. If necessary, use a neutral detergent.
- Do not allow liquid to enter the ice generator body (1).
- Do not use wire brushes, abrasive cleaners or solvents.

STORAGE

- Before taking the ice generator away for long storage, unplug it and allow the unit to warm up to room temperature.
- Clean the ice generator.
- Before storing the ice generator, make sure the inner surfaces are completely dry.
- Store the ice generator upright in a cool, dry place out of the reach of children and disabled people.

TROUBLES AND TROUBLESHOOTING

Malfunction	Possible reason	Solution
The ice generator is not switched on.	No electricity at the mains socket. The power cord is not fully inserted into the mains socket.	Plug a known working electrical device into the mains socket. Make sure the power cord is firmly inserted into the mains socket.

The «Add water» indicator is glowing.	Not enough water.	Add water without exceeding the maximum level mark, the ice generator will automatically resume operation. Or restart the ice generator.
The «Basket full» indicator is glowing.	The ice basket is full.	Remove ice from the ice basket.
Ice cubes stick together.	The ice production cycle is too long. The water temperature in the water tank is too low.	Change the water in the water tank. Fill the tank with water which temperature should be between 8°C and 25°C.
The ice generator is working normally, but no ice is being produced.	The air or water temperature in the water tank is too high. Ice generator malfunction. Refrigerant leak.	The ice generator is designed to operate in ambient temperatures between 10°C and 32°C with water temperatures between 8°C and 25°C. Contact a service center to have the ice generator repaired.

DELIVERY SET

1. Ice generator – 1 pc.
2. Instruction manual – 1 pc.

TECHNICAL SPECIFICATIONS

- Power supply: 220-240 V ~ 50 Hz
- Rated input power: 120 W
- Climate class: ST/SN/N/T
- Refrigerant/refrigerant quantity: R600a/23g

- Size (L x W x H): 310*230*325 mm
- Net weight: 8.3 kg

RECYCLING



To prevent possible damage to the environment or harm to the health of people by uncontrolled waste disposal, after expiration of the service life of the unit or the batteries (if included), do not discard them with usual household waste, take the

unit and the batteries to specialized stations for further recycling.

The waste generated during the disposal of products is subject to mandatory collection and consequent disposal in the prescribed manner.

For further information about recycling of this product apply to a local municipal administration, a household waste disposal service or to the shop where you purchased this product.

The manufacturer reserves the right to change the design, structure and specifications not affecting general operation principles of the unit, without prior notice.

The unit operating life is 3 years

The manufacturing date is specified in the serial number.

In case of any malfunctions, it is necessary to apply promptly to the authorized service center.

EISERZEUGER BR6301

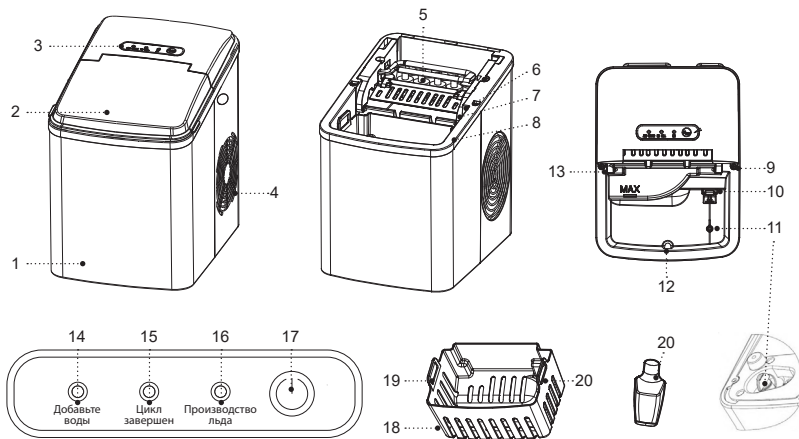
Der Eiserzeuger ist ein Haushaltsgerät zur schnellen Eisherstellung.

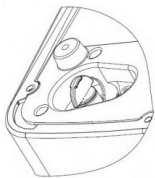
BESCHREIBUNG

1. Gehäuse
2. Deckel
3. Bedienungs-/Anzeigeplatte
4. Lüftungsgitter
5. Verdampfer
6. Eislademulde
7. Eisspaten
8. Wasserbehälter
9. Infrarotdiode
10. Wasserfilter
11. Abflusstopfen
12. «MAX»-Wasserstandsmarke
13. Fotoempfänger
14. Anzeige für leeren Wasserbehälter „Wasser hinzufügen“
15. Anzeige für vollen Eisbehälter „Behälter voll“
16. Anzeige für Betriebs-/Standby-Modus „Eis“
17. Ein-/Ausschalttaste des Eiserzeugers «Ein/Aus»
18. Eisbehälter
19. Griffe des Eisbehälters
20. Eisschaufel

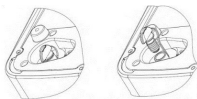
ACHTUNG!

Als zusätzlicher Schutz ist es zweckmäßig, den FI-Schalter mit Nennstrom maximal bis 30 mA im Stromversorgungskreis aufzustellen; wenden Sie sich dafür an einen Spezialisten.

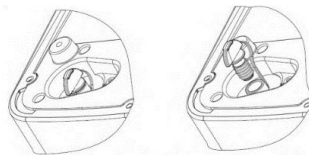




Cyp. 1



Cyp. 2



Cyp. 3

SICHERHEITSHINWEISE UND GEBRAUCHSANLEITUNG

Bevor Sie den Eiserzeuger benutzen, lesen Sie die Bedienungsanleitung aufmerksam durch und bewahren Sie sie zum späteren Gebrauch auf.

- Benutzen Sie den Eiserzeuger nur bestimmungsmäßig und laut dieser Bedienungsanleitung.
- Missbrauch des Eiserzeugers kann zu seiner Störung führen, dem Benutzer oder seinem Eigentum Schaden bringen und ist kein Garantiefall.
- Verwenden Sie nur das mitgelieferte Zubehör.
- Es ist verboten, Fremdkörper im Eiserzeuger aufzubewahren.
- Vergewissern Sie sich, dass die auf dem Bezeichnungszettel angegebene Betriebsspannung und die Netzspannung übereinstimmen.
- Der Netzstecker verfügt über einen Erdungskontakt, stecken Sie ihn in eine Steckdose mit sicherem Erdungskontakt. Bei einem Kurzschluss verringert die Erdung das Stromschlagrisiko.
- Wenden Sie sich an einen Elektriker, wenn Sie sich nicht sicher sind, ob Ihre Steckdosen richtig installiert und geerdet sind.
- Verwenden Sie keine «Übergangsstücke», die zum Anschließen des Netzsteckers an eine Steckdose ohne Erdkontakt bestimmt sind, um Feuer zu vermeiden.
- Wenn Sie ein Verlängerungskabel benötigen, verwenden Sie nur ein 3-adriges Verlängerungskabel mit Erdungsstift am Netzstecker und an der Steckdose. Die Querschnittskennzeichnung der Drähte des Netzkabels des Eiserzeugers und die Kennzeichnung des Verlängerungskabels müssen übereinstimmen.
- Bei Brandgeruch und Funken in der Steckdose ziehen Sie den Netzstecker aus der Steckdose heraus und wenden Sie sich an den Ihr Hausstromnetz leistenden Dienst.
- Wenn Rauch aus dem Eiserzeuger austritt, ziehen Sie das Netzkabel aus der Steckdose heraus und treffen Sie die Feuerverhinderungsmaßnahmen.
- Es ist nicht gestattet, den Eiserzeuger draußen zu benutzen.
- Es ist nicht empfohlen, das Gerät bei Gewitter zu benutzen.
- Schützen Sie das Gerät vor Stößen, Stürzen, Vibrationen und anderen mechanischen Einwirkungen.
- Schalten Sie den Eiserzeuger ohne Wasser nicht ein.
- Es ist nicht gestattet, den Eiserzeuger direkt aus dem Wasserhahn einzufüllen, benutzen Sie dafür ein passendes Geschirr.
- Stellen Sie den Eiserzeuger auf einer ebenen und stabilen Fläche auf, so dass ein Abstand von mindestens 15-20 cm zwischen der Wand oder den

- Möbeln und dem Eiserzeuger verbleibt.
- Sorgen Sie für einen ungehinderten Zugang zum Netzstecker, um den Eiserzeuger schnell ausstecken zu können.
 - Es ist nicht gestattet, das Gerät in einem Neigungswinkelwinkel von mehr als 45 Grad zu installieren.
 - Drehen Sie den Eiserzeuger nicht um. Wenn der Eiserzeuger umgedreht wurde, stellen Sie ihn richtig auf und warten Sie mindestens 2 Stunden, bevor Sie ihn einschalten.
 - Lassen Sie den ans Stromnetz angeschlossenen Eiserzeuger nie unbeaufsichtigt.
 - Benutzen Sie den Eiserzeuger nicht in der Nähe von Spülbecken, in Badezimmern und neben Wasserbecken oder anderen mit Wasser gefüllten Behältern. Wenn das Gerät ins Wasser gefallen ist, ziehen Sie sofort den Netzstecker aus der Steckdose und erst danach holen Sie das Gerät aus dem Wasser heraus. Wenden Sie sich an einen Kundendienst, um den Eiserzeuger prüfen oder reparieren zu lassen.
 - Der Eiserzeuger ist für den Betrieb bei einer Umgebungstemperatur von 10°C bis 32°C ausgelegt, die Wassertemperatur im Tank sollte zwischen 8°C und 25°C liegen.
 - Benutzen Sie den Eiserzeuger nicht in direkter Nähe von Heizgeräten, Wärmequellen oder offenem Feuer.
 - Es ist verboten, den Eiserzeuger an den Orten, wo Sprays verwendet werden, sowie in der Nähe von leichtentzündbaren Flüssigkeiten, zu benutzen.
 - Stellen Sie den Eiserzeuger auf eine ebene standfeste Oberfläche auf, stellen Sie ihn an den Tischrand nicht auf. Achten Sie darauf, dass das Netzkabel vom Tisch nicht herabhängt und heiße Oberflächen und scharfe Möbelkanten nicht berührt.
 - Berühren Sie das Netzkabel und den Netzstecker mit nassen Händen nicht.
 - Achten Sie darauf, dass der Wasserstand im Eiserzeuger nicht über der maximalen Wasserstandsmarke liegt.
 - Ziehen Sie den Netzstecker des Eiserzeugers vor der Reinigung oder wenn Sie ihn nicht benutzen vom Stromnetz ab. Wenn Sie den Eiserzeuger vom Stromnetz abtrennen, halten Sie nur den Netzstecker fest und ziehen Sie ihn aus der Steckdose vorsichtig heraus; ziehen Sie das Netzkabel nicht, da es zu seiner Beschädigung und Steckdosenstörung sowie einem Kurzschluss führen kann.
 - Tauchen Sie den Eiserzeuger ins Wasser oder andere Flüssigkeiten nicht, um das Stromschlagrisiko zu vermeiden.
 - Lassen Sie die als Verpackung verwendeten Polyethylenbeutel aus Sicherheitsgründen nie ohne Aufsicht und außerhalb der Reichweite von Kindern liegen.

ACHTUNG! Lassen Sie Kinder mit Plastiktüten oder Verpackungsfolien nicht spielen. **Erstickungsgefahr!**

- Der Eiserzeuger ist nicht für Kinder bestimmt.
 - Beaufsichtigen Sie Kinder, damit sie das Gerät als Spielzeug nicht benutzen.
 - Lassen Sie Kinder das Gerät und das Netzkabel während des Betriebs vom Eiserzeuger nicht berühren.
 - Während des Betriebs stellen Sie das Gerät an einen für Kinder unzugänglichen Ort auf.
 - Dieses Gerät ist nicht zur Verwendung durch Personen (einschließlich Kinder) mit eingeschränkten körperlichen, sensorischen, psychischen oder geistigen Fähigkeiten oder mangelnder Lebenserfahrung oder Wissen vorgesehen, wenn sie sich unter Aufsicht keiner für ihre Sicherheit verantwortlichen Person befinden oder keine entsprechenden Geräteanweisungen bekommen haben.
 - Überprüfen Sie regelmäßig den Zustand des Netzkabels und des Netzsteckers.
 - Wenn das Netzkabel beschädigt ist, soll es vom Hersteller, Kundendienst oder ähnlich qualifiziertem Personal ersetzt werden, um Gefahren zu vermeiden.
 - Decken Sie das Lüftungsgitter am Gerätegehäuse nicht ab und achten Sie auf dessen Sauberkeit, da dies die Effizienz des Eiserzeugers beeinflusst.
 - Das Vorhandensein von Kältemittel stellt eine Gefahr bei der Wartung oder Reparatur dieses Geräts für alle Personen dar, außer für Spezialisten des Kundendienstes.
- Beschädigen Sie den Kühlkreislauf nicht. Wenn Sie ein erhebliches Kältemittelleck feststellen, trennen Sie den Eiserzeuger sofort vom Stromnetz ab, indem Sie den Netzstecker aus der Steckdose ziehen, öffnen Sie die Fenster und Türen, um den Raum zu lüften, rauchen Sie dabei nicht, benutzen Sie kein offenes Feuer und wenden Sie sich an den Kundendienst.
 - Es ist nicht gestattet, das Gerät selbständig zu reparieren. Es ist nicht gestattet, das Gerät selbständig auseinanderzunehmen; bei der Feststellung jeglicher Beschädigungen, sowie im Sturzfall, trennen Sie das Gerät vom Stromnetz ab und wenden Sie sich an einen Kundendienst.
 - Transportieren Sie den Eiserzeuger in der Originalverpackung in vertikaler Position.
 - Bewahren Sie das Gerät vertikal an einem für Kinder und Personen mit eingeschränkten Möglichkeiten unzugänglichen Ort auf.

DIE THERMOPOT IST NUR FÜR DEN GEBRAUCH IM HAUSHALT GEEIGNET, ES IST VERBOTEN, SIE ZU INDUSTRIE- ODER LABORZWECKEN ZU BENUTZEN.

KURZE BESCHREIBUNG DES BETRIEBSPRINZIPS DES EISERZEUGERS

- Das Betriebsprinzip des Eiserzeugers ähnelt dem eines Kühlschranks, jedoch mit einigen Änderungen.
- Zu den Hauptkomponenten des Eiserzeugers

gehören: Kompressor, Verdampfer (5), Kondensator, Wasserpumpe.

- Der Kompressor pumpt das Kältemittel, das durch den Kühler und den Ventilator auf Umgebungstemperatur abgekühlt wird, und dehnt sich dann beim Austritt aus dem Kapillarkanal aus, wodurch seine Temperatur unter Null sinkt.
- Wasser wird mit Hilfe der Pumpe in den Verdampfer (5) gepumpt, wodurch das Wasser innerhalb von 7-15 Minuten auf der Oberfläche des Verdampfers (5) gefriert und Eis bildet. Die Gefrierzeit des Wassers hängt von der Umgebungstemperatur und der Temperatur des in den Wassertank des Eiserzeugers eingefüllten Wassers ab.
- Sobald das Eis gefroren ist, wird die Eislademulde (6) nach hinten gekippt und das restliche Wasser aus der Eislademulde zurück in den Wasserbehälter (8) abgelassen. Um das Eis vom Verdampfer zu lösen, wird heißer Dampf darauf geleitet, wodurch sich das Eis leicht vom Verdampfer löst und in den Eisbehälter fällt.
- Anschließend kehrt die Eislademulde (6) automatisch in ihre Position unter dem Verdampfer (5) zurück und der nächste Eisgefrierzyklus beginnt.
- Um ein Überfüllen des Eisbehälters zu verhindern, verfügt das Gerät über einen Infrarotsensor zur Füllstandserkennung. Wenn Sie eine bestimmte

Menge an fertigem Eis aus dem Eisbehälter entnommen haben, startet der Eiserzeuger einen Zyklus zur Herstellung einer neuen Portion Eis, bis der Eisbehälter wieder mit Eis gefüllt ist. Der Eiserzeuger arbeitet vollautomatisch, Sie müssen seinen Betrieb nicht überwachen.

VORBEREITUNG DES EISERZEUGERS ZUM BETRIEB

Falls das Gerät bei niedrigen Temperaturen transportiert oder aufbewahrt wurde, lassen Sie es bei der Raumlufttemperatur nicht weniger als 3 Stunden bleiben.

- Packen Sie den Eiserzeuger aus und entfernen Sie alle Verpackungsmaterialien.
- Bewahren Sie die Originalverpackung auf.
- Lesen Sie die Sicherheitsmaßnahmen und Bedienungsempfehlungen durch.
- Prüfen Sie die Komplettheit.
- Prüfen Sie den Eiserzeuger auf Beschädigungen; wenn es beschädigt ist, schließen Sie es ans Stromnetz nicht an.
- Stellen Sie sicher, dass die auf dem Typenschild angegebenen Stromversorgungsparameter mit den Stromnetzparametern übereinstimmen.
- Wischen Sie das Gehäuse des Eiserzeugers (1) und die Innenfläche mit einem feuchten Tuch ab und wischen Sie es anschließend trocken.

- Öffnen Sie den Deckel (2), nehmen Sie den Eisbehälter (18) an den Griffen (19) heraus, spülen Sie den Eisbehälter (18) und die Eisschaufel (20) mit warmem Wasser und einem neutralen Reinigungsmittel aus, spülen Sie sie ab und trocknen Sie sie.
- Setzen Sie den Tragegriff (4) wieder ein (Abb. 1). Ziehen Sie den Griff (4) leicht auf und führen Sie ihn schräg in die Löcher am Gehäuse (1) ein. Stellen Sie sicher, dass der Griff richtig sitzt.
- Stellen Sie sicher, dass der Abflusstopfen (11) eingesetzt ist (Abb. 1).
- Sorgen Sie für einen ungehinderten Zugang zum Netzstecker, um den Eiserzeuger schnell ausstecken zu können.
- Es ist verboten, das Gerät in einem Neigungswinkel von mehr als 45 Grad zu installieren.
- Drehen Sie den Eiserzeuger nicht um. Wenn der Eiserzeuger umgedreht wurde, stellen Sie ihn richtig auf und warten Sie mindestens 2 Stunden, bevor Sie ihn einschalten.
- Füllen Sie den Wasserbehälter mit gereinigtem Wasser in Raumtemperatur, das durch Haushaltswasserfilter gefiltert wurde. Gießen Sie kein heißes Wasser in den Wasserbehälter, da dies zu Schäden am Eiserzeuger führen kann.
- Durch das schnelle Einfrieren kann das Eis aufgrund der in dem Wasser enthaltenen Luft eine «milchige» Farbe haben, dies hat jedoch keinen Einfluss auf die Qualität des Eises.
- Wenn Sie klares Eis erhalten möchten, verwenden Sie in diesem Fall abgekochtes, vorgekühltes Trinkwasser.
- Es wird empfohlen, das Wasser im Wasserbehälter alle 24 Stunden zu wechseln, da sich sonst Ablagerungen im Wasser bilden können und das Eis trüb wird.
- Reinigen Sie den Eiserzeuger mindestens einmal pro Woche.

NUTZHINWEISE

Aus hygienischen Gründen wird empfohlen, das Eis aus dem ersten Produktionszyklus nicht zu verwenden.

- Der Eiserzeuger darf nicht bei Temperaturen unter 5 °C betrieben werden.
- Der Eiserzeuger ist für den Betrieb bei einer Umgebungstemperatur von 10 °C bis 32 °C ausgelegt.
- Füllen Sie den Wasserbehälter mit Wasser, dessen Temperatur zwischen 8 °C und 25 °C liegen sollte.
- Stellen Sie den Eiserzeuger auf einer ebenen und stabilen Oberfläche auf, so dass ein Abstand von mindestens 15-20 cm zwischen der Wand oder den Möbeln und dem Eiserzeuger verbleibt.

VERWENDUNG DES EISERZEUGERS

- Öffnen Sie den Deckel (2) des Eiserzeugers und nehmen Sie den Eisbehälter (18) an den Griffen (19) heraus.
- Füllen Sie den Wasserbehälter (8), ohne die «MAX»-Wasserstandsmarke (12) zu überschreiten.
- Setzen Sie den Eisbehälter (18) wieder ein und schließen Sie den Deckel (2).
- Stecken Sie den Netzstecker in die Steckdose. Der Eiserzeuger schaltet in den Standby-Modus und die «Eis»-Anzeige (18) blinkt.
- Schalten Sie den Eiserzeuger mit der Ein-/Ausschalttaste (17) «Ein/Aus» ein. Der Eiserzeuger schaltet in den Eisgefriermodus und die «Eis»-Anzeige (18) leuchtet durchgehend.
- Der Eisgefrierzyklus dauert je nach Wasser- und Umgebungstemperatur etwa 7-15 Minuten.

Anmerkung: Beim Einschalten des Eiserzeugers schaltet sich der Kompressor ein, daher ist der Betrieb des Eiserzeugers mit einem gewissen Geräusch verbunden (ähnlich wie bei einem Haushaltskühlschrank).

- Um den Eiserzeuger zu stoppen, drücken Sie die Ein-/Ausschalttaste (17) «Ein/Aus» erneut. Die die «Eis»-Anzeige (18) blinkt dann.
- Wenn der Eisbehälter (18) mit Eis gefüllt ist, stoppt der Eiserzeuger seine Arbeit und die «Behälter voll»-Anzeige (15) leuchtet rot. Öffnen Sie den Deckel (2)

des Eiserzeugers und nehmen Sie den Eisbehälter (18) heraus, indem Sie die Griffe (19) verwenden. Verwenden Sie die Eisschaufel (20), um das Eis aus dem Eisbehälter (18) zu entnehmen, und setzen Sie den Eisbehälter (18) wieder ein.

Anmerkung: Die Infrarotdiode (9) und der Fotoempfänger (13) überwachen den Füllstand des Eisbehälters (18). Daher müssen die Diode (9) und der Fotoempfänger (13) immer sauber gehalten werden.

- Wenn die «Behälter voll»-Anzeige (15) rot leuchtet, können Sie den Deckel (2) öffnen, den Eisbehälter (18) herausnehmen und leicht schütteln. Wenn sich darin freier Platz gebildet hat, setzen Sie den Eisbehälter (18) wieder ein, schließen Sie den Deckel (2) und der Eiserzeuger schaltet sich ein. Der Eisbehälter (18) wird dann mit Eis gefüllt.
- Wenn der Wasserbehälter (8) leer ist, leuchtet die «Wasser nachfüllen»-Anzeige (16) rot.
- Bevor Sie Wasser in den Wasserbehälter (8) füllen, schalten Sie den Eiserzeuger mit der Ein-/Ausschalttaste (17) «Ein/Aus» aus, ziehen Sie den Netzstecker aus der Steckdose, öffnen Sie den Deckel (2), nehmen Sie den Eisbehälter (18) heraus, indem Sie die Griffe (19) verwenden, füllen Sie Wasser in den Wasserbehälter (8), ohne die «MAX»-Wasserstandsmarke (12) zu überschreiten, setzen Sie den Eisbehälter (18) wieder ein und schließen Sie den Deckel (2). Stecken Sie den Netzstecker in die Steckdose und schalten Sie den Eiserzeuger mit der Ein-/Ausschalttaste (17) «Ein/Aus» ein.

Anmerkung: Wenn Sie den Netzstecker nicht aus der Steckdose gezogen und den Eiserzeuger nicht wieder eingeschaltet haben, beginnt der Eiserzeuger nach 5 Minuten mit der Eisbereitung.

- Wenn der Eiserzeuger nicht mehr in Betrieb ist, schalten Sie ihn mit der Ein-/Ausschalttaste (17) «Ein/Aus» aus und ziehen Sie den Netzstecker aus der Steckdose.

REINIGUNG UND PFLEGE

WICHTIG!

- Reinigen Sie den Eiserzeuger mindestens einmal pro Woche.
- Stellen Sie nach der Reinigung sicher, dass die Innenflächen des Eiserzeugers trocken sind, da sonst Schimmelbildung möglich ist.
- Bevor Sie den Eiserzeuger reinigen, schalten Sie ihn mit der Ein-/Ausschalttaste (17) «Ein/Aus» aus und ziehen Sie den Netzstecker aus der Steckdose.
- Warten Sie einige Zeit, bis der Eiserzeuger Raumtemperatur erreicht hat.
- Tauchen Sie den Eiserzeuger, das Netzkabel und den Netzstecker ins Wasser oder jegliche anderen Flüssigkeiten nicht ein.
- Wenn sich noch Wasser im Wasserbehälter befindet, gießen Sie es aus. Schieben Sie dazu das Gerät 60 mm vom Tisch weg (Abb. 2), stellen Sie einen geeigneten Behälter zum Auffangen des Wassers

darunter und ziehen Sie den Abflusstutzen (11) heraus (Abb. 3).

- Öffnen Sie den Deckel (2) des Eiserzeugers und nehmen Sie den Eisbehälter (18) heraus, indem Sie die Griffe (19) verwenden.
- Wischen Sie die Innenflächen des Eiserzeugers mit einem weichen Tuch ab, das mit einer 1:1-Lösung aus Essig und Wasser angefeuchtet ist. Spülen Sie die Innenflächen anschließend mit sauberem Wasser aus und lassen Sie das gesamte Wasser ablaufen.

Achtung! Reinigen Sie den Verdampfer (5) nicht, um Beschädigungen zu vermeiden.

- Setzen Sie den Abflusstutzen (11) wieder ein (Abb. 1).
- Waschen Sie den Eisbehälter (18) und die Eisschaufel (20) mit warmem Wasser und einem milden Reinigungsmittel, spülen Sie sie ab und trocknen Sie sie.
- Wenn die Infrarotdiode (9) und der Fotoempfänger (13) verschmutzt sind, wischen Sie sie mit einem trockenen Tuch ab.
- Achten Sie auf Reinlichkeit des Lüftungsgitters (4), für dessen Reinigung können Sie einen Staubsauger mit einem geeigneten Aufsatz verwenden.
- Wischen Sie das Gehäuse des Eiserzeugers (1) mit einem feuchten Tuch ab und wischen Sie es anschließend trocken. Verwenden Sie bei Bedarf ein mildes Reinigungsmittel.
- Achten Sie darauf, dass keine Flüssigkeit in das

Gehäuse (1) des Eiserzeugers gelangt.

- Die Verwendung von Metallbürsten, Scheuermitteln und Lösungsmitteln ist verboten.

AUFBEWAHRUNG

- Bevor Sie den Eiserzeuger für längere Zeit wegstellen, trennen Sie ihn vom Stromnetz und lassen Sie das Gerät auf Raumtemperatur abkühlen.
- Reinigen Sie den Eiserzeuger.
- Stellen Sie vor der Aufbewahrung des Eiserzeugers sicher, dass die Innenflächen vollständig trocken sind.
- Bewahren Sie den Eiserzeuger aufrecht an einem trockenen, kühlen und für Kinder und behinderte Personen unzugänglichen Ort auf.

STÖRUNGEN UND ABHILFE

Störung	Mögliche Ursache	Abhilfe
Der Eiserzeuger schaltet sich nicht ein.	Kein Strom in der Steckdose. Der Netzstecker ist nicht vollständig in die Steckdose eingesteckt.	Stecken Sie ein anderes Elektrogerät, von dem Sie wissen, dass es funktioniert, in die Steckdose. Stellen Sie sicher, dass der Netzstecker fest in der Steckdose sitzt.

Die «Wasser nachfüllen»-Anzeige leuchtet.	Nicht genügend Wasser.	Füllen Sie Wasser nach, ohne die «MAX»-Wasserstandsmarke zu überschreiten. Der Eiserzeuger nimmt den Betrieb automatisch wieder auf. Oder starten Sie den Betrieb des Eiserzeugers neu.
Die «Behälter voll»-Anzeige leuchtet.	Der Eisbehälter ist voll.	Entfernen Sie das Eis aus dem Eisbehälter.
Die Eiswürfel kleben aneinander.	Der Eisbereitungszyklus dauert zu lange. Die Wassertemperatur im Wasserbehälter ist zu niedrig.	Wechseln Sie das Wasser im Wasserbehälter. Füllen Sie Wasser mit einer Temperatur zwischen 8 °C und 25 °C in den Wasserbehälter.
Der Eiserzeuger funktioniert normal, aber es wird kein Eis produziert.	Die Lufttemperatur oder Wassertemperatur im Wasserbehälter ist zu hoch. Störung des Eiserzeugers. Kältemittelleckage.	Der Eiserzeuger ist für den Betrieb bei einer Umgebungstemperatur von 10 °C bis 32 °C ausgelegt, die Wassertemperatur sollte zwischen 8 °C und 25 °C liegen. Wenden Sie sich an einen Kundendienst, um den Eiserzeuger reparieren zu lassen.

LIEFERUMFANG

- Eiserzeuger – 1 Stk.
- Bedienungsanleitung - 1 Stk.

TECHNISCHE EIGENSCHAFTEN

- Stromversorgung: 220-240 V ~ 50 Hz
- Nennleistungsaufnahme: 120 W
- Klimaklasse: ST/SN/N/T
- Kältemittel/Kältemittelmenge: R600a/23g
- Größe (L x B x H): 310*230*325 mm
- Nettogewicht: 8,3 kg

ENTSORGUNG



Um mögliches Schaden für die Umwelt oder die menschliche Gesundheit durch unkontrollierte Abfallentsorgung zu vermeiden, werfen Sie das Gerät und die Batterien (falls mitgeliefert) nach Beendigung ihrer Nutzungsdauer

zusammen mit gewöhnlichen Haushaltsabfällen nicht weg, geben Sie das Gerät und die Batterien in die Spezialpunkte für weitere Entsorgung über.

Die bei der Entsorgung der Erzeugnisse entstehenden Abfälle sind unbedingt zu sammeln und weiter ordnungsmäßig zu entsorgen.

Mehrere Information zur Entsorgung dieses Produkts erhalten Sie bei Ihrer lokalen Stadtverwaltung, einem Abfallentsorgungsdienst oder beim Geschäft, wo Sie dieses Produkt gekauft haben.

Der Hersteller behält sich das Recht vor, das Design, die Konstruktion und die das gemeine Gerätebetriebsprinzip nicht beeinflussenden technischen Eigenschaften ohne Vorbenachrichtigung zu verändern.

Die Gerätenutzungsdauer beträgt 3 Jahre

Das Herstellungsdatum ist in der Fabrikationsnummer angegeben.

Bei Störungsfeststellung wenden Sie sich baldigst an einen autorisierten Kundendienst.

ЛЬДОГЕНЕРАТОР BR6301

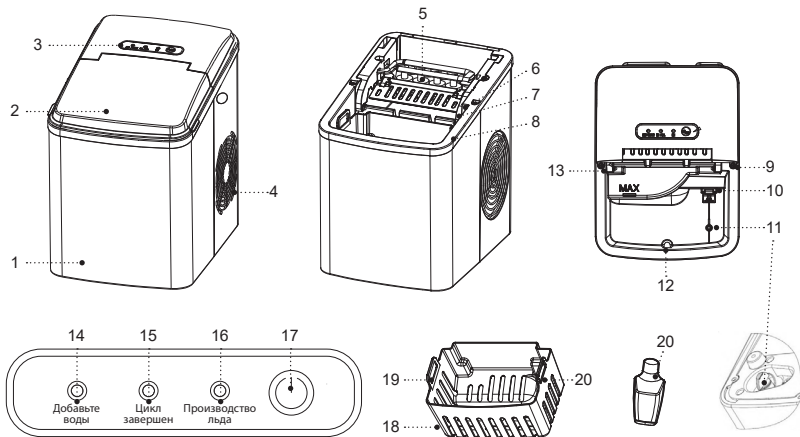
Льдогенератор — это бытовое устройство для быстрого приготовления льда.

ОПИСАНИЕ

1. Корпус
2. Крышка
3. Панель управления/индикации
4. Вентиляционная решётка
5. Испаритель
6. Лоток для льда
7. Лопатка для льда
8. Резервуар для воды
9. Инфракрасный диод
10. Фильтр для воды
11. Сливная пробка
12. Отметка максимального уровня воды «МАХ»
13. Фотоприёмник
14. Индикатор окончания воды в резервуаре «Добавьте воды»
15. Индикатор заполнения корзины для льда «Цикл завершен»
16. Индикатор режима работы/ожидания «Производство льда»
17. Кнопка включения/выключения льдогенератора «Вкл/Выкл»
18. Корзина для льда
19. Ручки корзины
20. Сок для льда

ВНИМАНИЕ!

Для дополнительной защиты в цепи питания целесообразно установить устройство защитного отключения (УЗО) с номинальным током срабатывания, не превышающим 30 мА, для установки УЗО обратитесь к специалисту.



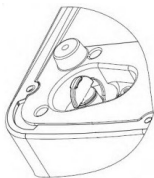


Рис. 1

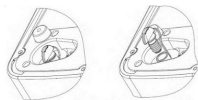


Рис. 2

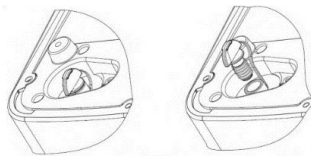


Рис. 3

МЕРЫ БЕЗОПАСНОСТИ И РЕКОМЕНДАЦИИ ПО ЭКСПЛУАТАЦИИ

Перед использованием льдогенератора внимательно ознакомьтесь с руководством по эксплуатации, и сохраните его для использования в будущем.

- Используйте льдогенератор только по его прямому назначению, как изложено в данной инструкции.
- Неправильное обращение с льдогенератором может привести к его поломке, причинению вреда пользователю или его имуществу и не является гарантийным случаем.
- Используйте только аксессуары, входящие в комплект поставки.
- Запрещается хранить в льдогенераторе любые посторонние предметы.
- Убедитесь, что рабочее напряжение льдогенератора, указанное на этикетке, соответствует напряжению электросети.
- Вилка шнура питания имеет контакт заземления, вставляйте её в электрическую розетку, имеющую надёжный контакт заземления. При коротком замыкании, заземление снижает риск поражения электрическим током.
- Обратитесь к специалисту-электрику, если вы не уверены в том, что ваши розетки правильно установлены и заземлены.
- Во избежание возникновения пожара запрещается использовать «переходники», предназначенные для подключения сетевой вилки к электрической розетке, не имеющей контакта заземления.
- При необходимости использования электрического удлинителя, используйте только 3-проводной электрический удлинитель с контактом заземления на сетевой вилке и в электрической розетке. Маркировка сечения проводов шнура питания льдогенератора и маркировка на сетевом шнуре удлинителя должны совпадать.
- При искрении в электрической розетке и присутствии запаха гари, выньте вилку шнура питания из розетки и обратитесь в организацию, обслуживающую вашу домашнюю электрическую сеть.
- При появлении дыма из корпуса льдогенератора выньте вилку шнура питания из электрической розетки и примите меры к нераспространению огня.
- Запрещается использовать льдогенератор вне помещений.
- Не рекомендуется использовать устройство во время грозы.
- Оберегайте устройство от ударов, падений, вибраций и иных механических воздействий.
- Не включайте льдогенератор без воды.
- Запрещается наполнять льдогенератор непосредственно из водопроводного крана, для наполнения льдогенератора используйте подходящую посуду.

- Установите льдогенератор на ровной и устойчивой поверхности, так, чтобы от стены или мебели до льдогенератора оставалось расстояние не менее 15-20 см.
- Обеспечьте беспрепятственный доступ к вилке шнура питания, для быстрого отключения льдогенератора.
- Запрещается устанавливать устройство под углом наклона более чем 45 градусов.
- Не переворачивайте льдогенератор, если льдогенератор был перевернут, установите его правильно и подождите не менее 2 часов, прежде чем его включить.
- Не оставляйте льдогенератор, включённый в сеть, без присмотра.
- Не используйте льдогенератор вблизи от кухонной раковины, в ванных комнатах, около бассейнов или других ёмкостей, наполненных водой. Если устройство упало в воду, немедленно выньте вилку шнура питания из электрической розетки и только после этого достаньте устройство из воды. Обратитесь в сервисный центр для осмотра или ремонта льдогенератора.
- Льдогенератор предназначен для работы при температуре окружающей среды от 10°C до 32°C, температура воды в резервуаре должна быть от 8°C до 25°C.
- Не используйте льдогенератор в непосредственной близости от нагревательных приборов, источников тепла или открытого пламени.
- Запрещается использовать льдогенератор в местах, где используются или распыляются аэрозоли, а также вблизи от легковоспламеняющихся жидкостей.
- Устанавливайте льдогенератор на ровную и устойчивую поверхность, не ставьте его на край стола. Не допускайте, чтобы шнур питания свешивался со стола, а также следите, чтобы он не касался горячих поверхностей и острых кромок мебели.
- Запрещается прикасаться к шнуру питания и вилке шнура питания, мокрыми руками.
- Следите, чтобы уровень воды в льдогенераторе был не выше максимальной отметки.
- Отключайте льдогенератор от электрической сети перед чистой или в том случае, если вы им не пользуетесь. При отключении льдогенератора от электрической сети держитесь только за вилку шнура питания и аккуратно выньте её из электрической розетки, не тяните за шнур питания — это может привести к повреждению шнура питания, электрической розетки или вызвать короткое замыкание.
- Во избежание удара электрическим током не погружайте льдогенератор в воду или любые другие жидкости.
- Из соображений безопасности не оставляйте полиэтиленовые пакеты, используемые в качестве упаковки, без присмотра и в местах доступных для детей.

ВНИМАНИЕ! Не разрешайте детям играть с полиэтиленовыми пакетами или упаковочной плёнкой.
Опасность удушения!

- Лыдогенератор не предназначен для использования детьми.
 - Осуществляйте надзор за детьми, чтобы не допустить использования прибора в качестве игрушки.
 - Не разрешайте детям прикасаться к устройству и к шнуру питания во время работы лыдогенератора.
 - Во время работы и остывания размещайте устройство в местах, недоступных для детей.
 - Данное устройство не предназначено для использования лицами (включая детей) с пониженными физическими, психическими или умственными способностями, или при отсутствии у них опыта или знаний, если они не находятся под контролем или не проинструктированы об использовании прибора лицом, ответственным за их безопасность.
 - Периодически проверяйте состояние шнура питания и вилки шнура питания.
 - При повреждении шнура питания его замену во избежание опасности должны производить изготовитель, сервисная служба или подобный квалифицированный персонал.
 - Не закрывайте вентиляционную решётку на корпусе устройства и следите за её чистотой, от этого зависит эффективность работы лыдогенератора.
- Наличие хладагента создает опасность при проведении технического обслуживания или ремонта данного устройства для всех лиц, кроме специалистов сервисной службы.
 - Не допускайте повреждения контура охлаждения. В случае обнаружения значительной утечки хладагента немедленно отключите лыдогенератор от электрической сети, вынув вилку шнура питания из электрической розетки, откройте окна и двери для проветривания помещения, при этом запрещается курить, пользоваться открытым пламенем, обратитесь в сервисный центр.
 - Запрещается самостоятельно ремонтировать прибор. Не разбирайте прибор самостоятельно, при возникновении любых неисправностей, а также после падения устройства выключите прибор из электрической розетки и обратитесь в сервисный центр.
 - Перевозите лыдогенератор в заводской упаковке в вертикальном положении.
 - Храните устройство вертикально в местах, недоступных для детей и людей с ограниченными возможностями.

УСТРОЙСТВО ПРЕДНАЗНАЧЕНО ТОЛЬКО ДЛЯ БЫТОВОГО ИСПОЛЬЗОВАНИЯ, ЗАПРЕЩАЕТСЯ ИСПОЛЬЗОВАТЬ УСТРОЙСТВО В КОММЕРЧЕСКИХ ИЛИ ЛАБОРАТОРНЫХ ЦЕЛЯХ.

КРАТКОЕ ОПИСАНИЕ ПРИНЦИПА РАБОТЫ ЛЬДОГЕНЕРАТОРА

- Принцип работы льдогенератора, напоминает работу холодильника, но с некоторыми изменениями.
- К основным деталям и узлам льдогенератора относятся: компрессор, испаритель (5), конденсатор, помпа для воды.
- Компрессор прокачивает хладагент, который охлаждается радиатором и вентилятором до температуры окружающей среды, а затем, выходя из капиллярного канала, расширяется, и его температура опускается ниже нуля.
- В испаритель (5) с помощью помпы закачивается вода, в результате охлаждения вода, в течение 7-15 минут, намерзает на поверхности испарителя (5), образуя лёд. Время замерзания воды зависит от температуры окружающей среды и температуры воды, залитой в резервуар льдогенератора.
- Как только лёд замёрзнет, лоток для льда (6) отклоняется назад, а оставшаяся вода из лотка сливается обратно в резервуар (8). Для отделения льда от испарителя на него направляется горячий пар, в результате этого лёд легко отделяется от испарителя и попадает в корзину.
- После этого лоток для льда (6) автоматически возвращается в положение под испарителем (5) и начинается следующий цикл замораживания льда.

- Для предотвращения переполнения корзины для льда, в устройстве есть инфракрасный датчик заполнения корзины, если вы взяли некоторое количество готового льда из корзины, льдогенератор запускает цикл приготовления новой порции льда, до тех пор, пока корзина не будет снова наполнена льдом. Льдогенератор работает полностью в автоматическом режиме, вам не нужно контролировать его работу.

ПОДГОТОВКА ЛЬДОГЕНЕРАТОРА К РАБОТЕ

После транспортировки или хранения устройства при пониженной температуре необходимо выдержать его при комнатной температуре не менее 3 часов.

- Распакуйте льдогенератор и удалите все упаковочные материалы.
- Сохраните заводскую упаковку.
- Ознакомьтесь с мерами безопасности и рекомендациями по эксплуатации.
- Проверьте комплектацию.
- Осмотрите льдогенератор на наличие повреждений при наличии повреждений не включайте его в электрическую сеть.
- Убедитесь, что параметры напряжения питания, указанные на этикетке, соответствуют параметрам электрической сети.
- Корпус льдогенератора (1) и внутреннюю поверхность, протрите влажной тканью, после этого протрите насухо.

- Откройте крышку (2), выньте корзину для льда (18) взявшись за ручки (19), промойте корзину для льда (18) и совок для льда (20), тёплой водой с нейтральным моющим средством, ополосните и просушите.
- Убедитесь, в том, что сливная пробка (11) установлена на место (рис. 1).

ПОЛЕЗНЫЕ СОВЕТЫ

По соображениям гигиены не рекомендуется использовать лёд первого цикла приготовления.

- Запрещается использовать льдогенератор при температуре ниже 5 °С.
- Льдогенератор предназначен для работы при температуре окружающей среды от 10°С до 32°С.
- Заливайте в резервуар воду, температура которой должна быть от 8°С до 25°С.
- Установите льдогенератор на ровной и устойчивой поверхности, так, чтобы от стены или мебели до льдогенератора оставалось расстояние не менее 15-20 см.
- Обеспечьте беспрепятственный доступ к вилке шнура питания, для быстрого отключения льдогенератора.
- Запрещается устанавливать устройство под углом наклона более чем 45 градусов.
- Не переворачивайте льдогенератор, если льдогенератор был перевернут, установите его

правильно и подождите не менее 2 часов, прежде чем его включить.

- Заливайте в резервуар воду комнатной температуры, прошедшую очистку бытовыми фильтрами воды. Запрещается наливать в резервуар горячую воду, это может привести к поломке льдогенератора.
- Вследствие быстрой заморозки лёд может иметь «молочный» цвет, из-за содержащегося в воде воздуха, но это никак не влияет на качество льда.
- Если вам нужно получить чистый лёд, в этом случае используйте кипячёную, предварительно охлаждённую питьевую воду.
- Рекомендуется менять в резервуаре воду через в каждые 24 часа, в противном случае в воде может образовываться осадок и лёд будет мутным.
- Производите чистку льдогенератора не реже одного раза в неделю.

ИСПОЛЬЗОВАНИЕ ЛЬДОГЕНЕРАТОРА

- Откройте крышку (2) льдогенератора и вытащите корзину (18), взявшись за ручки (19).
- Налейте воду в резервуар (8), не превышая максимальный уровень воды (12) «МАХ».
- Установите корзину (18) на место, закройте крышку (2).
- Вставьте вилку шнура питания в электрическую розетку, при этом льдогенератор включится в режим ожидания и индикатор (16) «Производство льда» будет мигать.

- Включите льдогенератор, нажав кнопку включения/выключения (17) «Вкл/Выкл», льдогенератор включится в режим замораживания льда и индикатор (16) «Производство льда» будет светиться постоянно.
- Цикл заморозки льда длится примерно 7-15 минут, в зависимости от температуры воды и окружающей среды.

Примечание: при включении льдогенератора, включается компрессор, поэтому работа льдогенератора сопровождается определённым шумом (по аналогии с бытовым холодильником).

- Для остановки работы льдогенератора, повторно нажмите кнопку включения/выключения (17) «Вкл/Выкл», при этом индикатор (16) «Производство льда» будет мигать.
- Когда корзина (18) наполнится льдом, льдогенератор прекратит работу, индикатор (15) «Цикл завершен» загорится красным цветом. Откройте крышку (2) льдогенератора и вытащите корзину (18), взявшись за ручки (19), используя совок (20) выгрузите лёд из корзины (18), установите корзину (18) на место.

Примечание: инфракрасный диод (9) и фотоприёмник (13) следят за процессом наполнения корзины (18), поэтому диод (9) и фотоприёмник (13) должны всегда содержаться в чистоте.

- Если загорелся красным цветом индикатор (15) «Цикл завершен», можно открыть крышку (2), вынуть корзину (18) и слегка потрясти её, если

в ней образовалось свободное место, установите корзину (18) на место, закройте крышку (2), льдогенератор включится и корзина (18) будет наполняться льдом.

- Когда в резервуаре (8) закончится вода, через 7,5 секунды индикатор (14) «Добавьте воды» загорится красным цветом».
- Перед тем, как налить воду в резервуар (8), выключите льдогенератор, нажав кнопку (17) «Вкл/Выкл», откройте крышку (2), корзину (18), взявшись за ручки (19), налейте воду в резервуар (8), не превышая максимальный уровень воды (12) «МАХ», установите корзину (18) на место, закройте крышку (2). Включите льдогенератор, нажав кнопку (17) «Вкл/Выкл».

Примечание: если вы не вынули вилку шнура питания из электрической розетки, и повторно не включили льдогенератор, в этом случае, льдогенератор начнёт приготовление льда через 5 минут.

- По окончании работы льдогенератора, выключите его, нажав кнопку (17) «Вкл/Выкл», выньте вилку шнура питания из электрической розетки.

ЧИСТКА И УХОД

ВАЖНО!

- Производите чистку льдогенератора не менее одного раза в неделю.

- После чистки, убедитесь, что внутренние поверхности льдогенератора сухие, в противном случае возможно образование плесени.
- Перед чисткой льдогенератора, выключите его, нажав кнопку (17) «Вкл/Выкл», выньте вилку шнура питания из электрической розетки.
- Подождите некоторое время, чтобы льдогенератор нагрелся до комнатной температуры.
- Не погружайте льдогенератор, шнур питания и вилку шнура питания в воду или любые другие жидкости.
- Если в резервуаре осталась вода вылейте ее. Для этого выдвиньте прибор на расстояние 60 мм от стола (рис. 3), подставьте подходящую емкость для сбора воды, и вытащите сливную пробку (11) (рис. 2).
- Откройте крышку (2) льдогенератора и вытащите корзину (18), взявшись за ручки (19).
- Протрите внутреннюю поверхность льдогенератора мягкой тканью, смоченной в растворе столового уксуса в соотношении 1 к 1. После этого промойте внутреннюю поверхность чистой водой и слейте всю воду.

Внимание! Во избежание повреждений не очищайте испаритель (5).

- Установите сливную пробку (11) на место (рис. 1).
- Корзину для льда (18) и совок для льда (20), промойте тёплой водой с нейтральным моющим средством, ополосните и просушите.

- Если на инфракрасном диоде (9) и фотоприёмнике (13) имеются загрязнения, то протрите их сухой тканью.
- Следите за чистотой вентиляционной решётки (4), для её очистки можно использовать пылесос с соответствующей насадкой.
- Корпус льдогенератора (1) протрите влажной тканью, после этого вытрите насухо. При необходимости используйте нейтральное моющее средство.
- Не допускайте попадание жидкости внутрь корпуса (1) льдогенератора.
- Запрещается использовать металлические щетки, абразивные чистящие средства и растворители.

ХРАНЕНИЕ

- Прежде чем убрать льдогенератор на длительное хранение, отключите его от электросети, дайте устройству нагреться до комнатной температуры.
- Проведите чистку льдогенератора.
- Перед хранением льдогенератора, убедитесь, что внутренние поверхности совершенно сухие.
- Храните льдогенератор вертикально в сухом прохладном месте, недоступном для детей и людей с ограниченными возможностями.

НЕИСПРАВНОСТИ И СПОСОБЫ ИХ УСТРАНЕНИЯ

Неисправность	Возможные причины	Способы устранения
Льдогенератор не включается.	Отсутствие электричества в электрической розетке. Вилка шнура питания не вставлена до конца в электрическую розетку.	Вставьте в электрическую розетку заведомо исправный электрический прибор.
Горит индикатор «Добавьте воды».	Недостаточно воды.	Добавьте воду, не превышая отметку максимального уровня, льдогенератор автоматически возобновит работу. Или перезапустите работу льдогенератора.
Горит индикатор «Цикл завершен».	Корзина для льда заполнена.	Удалите лед из корзины для льда.
Кубики льда слишком падают.	Слишком долгий цикл производства льда. Слишком низкая температура воды в резервуаре для воды.	Смените воду в резервуаре для воды. Заливайте в резервуар воду, температура которой должна быть от 8°C до 25°C.

Льдогенератор работает нормально, но лёд не производится.	Слишком высокая температура воздуха или воды в резервуаре для воды. Неисправность льдогенератора. Утечка хладагента.	Льдогенератор предназначен для работы при температуре окружающей среды от 10°C до 32°C, температура воды должна быть от 8°C до 25°C.
---	--	--

КОМПЛЕКТ ПОСТАВКИ

1. Льдогенератор – 1 шт.
2. Инструкция – 1 шт.

ТЕХНИЧЕСКИЕ ХАРАКТЕРИСТИКИ

- Электропитание: 220-240 В ~ 50 Гц
- Номинальная потребляемая мощность: 120 Вт
- Климатический класс: ST/SN/N/T
- Хладагент/количество хладагента: R600a/23г
- Размер (Д x Ш x В): 310*230*325 мм
- Вес нетто: 8,3 кг

УТИЛИЗАЦИЯ



Чтобы предотвратить возможный вред окружающей среде или здоровью людей от неконтролируемой утилизации отходов, после окончания срока службы устройства или элементов питания (если

входят в комплект) не выбрасывайте их вместе с обычными бытовыми отходами, передайте прибор и элементы питания в специализированные пункты для дальнейшей утилизации.

Отходы, образующиеся при утилизации изделий, подлежат обязательному сбору с последующей утилизацией в установленном порядке.

Для получения дополнительной информации об утилизации данного продукта обратитесь в местный муниципалитет, службу утилизации бытовых отходов или в магазин, где Вы приобрели данный продукт.

Производитель сохраняет за собой право изменять дизайн, конструкцию и технические характеристики, не влияющие на общие принципы работы устройства, без предварительного уведомления.

Срок службы устройства – 3 года

Дата производства указана в серийном номере.

В случае обнаружения каких-либо неисправностей необходимо обратиться в авторизованный сервисный центр.

МҰЗ ГЕНЕРАТОРЫ BR6301

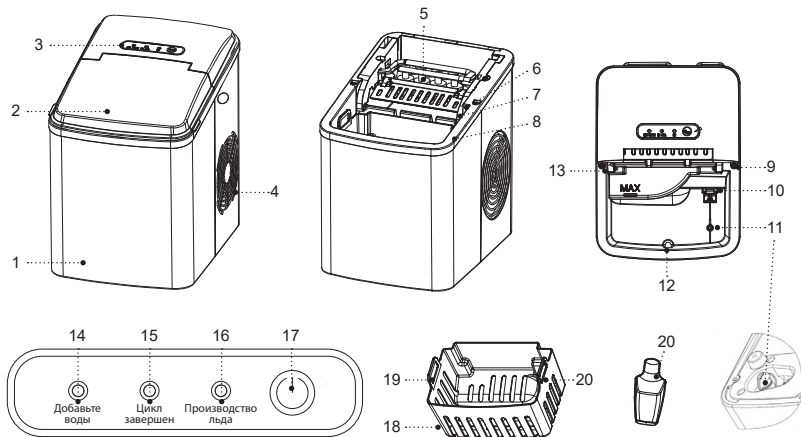
Мұз генераторы — мұзды тез дайындауға арналған тұрмыстық құрал.

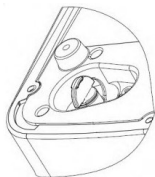
СИПАТТАМАСЫ

1. Корпусы
2. Қақпағы
3. Басқару/индикациялау панелі
4. Желдету торы
5. Булағыш
6. Мұзға арналған астау
7. Мұзға арналған қала
8. Суға арналған сұқойма
9. Инфрақызыл диод
10. Суға арналған сүзгіш
11. Су төгетін тығын
12. Судың максималдық деңгейінің белгісі «MAX»
13. Фотоқабылдағыш
14. Су қоймада судың жоқтығын білдіретін «Су құйыңыз» индикаторы
15. Мұзға арналған себетті толтырудың «Себет толы» индикаторы
16. Жұмыс/күту тәртібінің «Мұз» индикаторы
17. Мұз генераторын қосу/өшіру батырмасы «Қосу/Өшіру»
18. Мұзға арналған себет
19. Себет қолсабы
20. Мұзға арналған қалақ

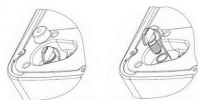
НАЗАР АУДАРЫҢЫЗ!

Қосымша қорғаныс үшін қоректендіру тізбегінде номиналдық іске қосылу тогы 30 мА аспайтын қорғаныс сөндіру құралын (ҚСҚ) орнатқан дұрыс, ҚСҚ-ны орнату үшін маманға жүгініңіз.

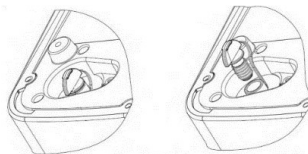




Cyp. 1



Cyp. 2



Cyp. 3

ҚАУІПСІЗДІК ШАРАЛАРЫ ЖӘНЕ ПАЙДАЛАНУҒА БЕРУ БОЙЫНША КЕҢЕСТЕР

Мұз генераторын пайдалану алдында пайдалануға беру жөніндегі басшылық құжатпен мұқият танысыңыз, оқығаннан кейін оны болашақта пайдалану үшін сақтап қойыңыз.

- Мұз генераторын осы басшылық құжатта көрсетілгендей тікелей мақсатына сай ғана пайдаланыңыз.
- Мұз генераторын дұрыс қолданбау оның бұзылуына, пайдаланушыға немесе оның мүлкіне зиян келтіруге әкеп соғуы мүмкін және кепілдік жағдайы болып табылмайды.
- Жеткізу жинағына кіретін аксессуарларды ғана пайдалану керек.
- Мұз генераторында кез-келген бөтен заттарды сақтауға тыйым салынады.
- Заттаңбада көрсетілген мұз генераторының жұмыс кернеуі электр желісінің кернеуіне сәйкес екеніне көз жеткізіңіз.
- Қуаттандыру бауының айырында тұйықтандыру байланысы бар, оны тұйықтандырудың сенімді байланысы бар электрлік розеткаға салыңыз. Қысқа матасу кезінде тұйықтандыру электрлік ток соғу қаупін төмендетеді.
- Егер розетканың дұрыс орнатылғанына және жерге қосуына сенімді болмасаңыз, электр маманына хабарласыңыз.
- Өрттің пайда болуын болдырмау үшін қуат сымның ашасын жерге тұйықталмайтын электр розеткасына қосуға арналған «жалғастырғышты» пайдалануға тыйым салынады.
- Электрлік ұзартқышты пайдалану керек болса, желілік айырда және электрлік розеткада тұйықтандырылған байланысы бар 3 сымды электрлік ұзартқышты ғана пайдалану керек. Мұз генераторының қуаттау бауының сымдары мен ұзартқыштың желілік бауының маркалауы бір-біріне сәйкес келуі керек.
- Күйік иісі және от ұшқыны пайда болған кезде, розеткадан желі бауының айырын шығарыңыз және үйдің электр желісіне қызмет көрсететін ұйымға хабарласыңыз.
- Мұз генераторының корпусынан түтін шыққан кезде қуаттандыру бауының айырын электрлік розеткадан шығарыңыз және от таралмауға қатысты шараларды қолданыңыз.
- Мұз генераторын үй-жайдан тыс жерде пайдалануға тыйым салынады.
- Найзағай кезінде құралды пайдалануға кеңес беріледі.
- Құрылды соққыдан, құлаудан, дірілден және басқа да механикалық әсерлерден сақтаңыз.
- Ішінде суы жоқ мұз генераторын қосуға болмайды.
- Мұз генераторына тікелей су ағатын краннан су толтыруға тыйым салынады, мұз генераторына су құю үшін тиісті ыдысты қолданыңыз.

- Мұз генераторын қабырғадан немесе жиһаздан бастап мұз генераторына дейін кемінде 15-20 см қашықтық болатындай етіп тегіс және тұрақты бетке орнату керек.
- Мұз генераторын жылдам өшіру үшін қуаттау бауының айырына кедергісіз қолжетімділікті қамтамасыз ету керек.
- Құралды 45 градустан асатын еңістің бұрышының астына орнатуға тыйым салынады.
- Мұз генераторын аударуға болмайды, егер мұз генераторы аударылған болса, онда оны дұрыс орнатып, қайта қосардың алдында кемінде 2 сағат күтіңіз.
- Желіге қосылған мұз генераторын қараусыз қалдырмаңыз.
- Мұз генераторын ас үй раковинасына жақын жерде, жуынатын бөлмеде, бассейндер немесе басқа да су толтырылған сыйымдылықтарға жақын жерде пайдаланбаңыз. Егер құрал суға құлап кетсе, дереу қуат сымының ашасын электр розеткасынан сурыңыз, содан кейін ғана құралды судан алып шығыңыз. Мұз генераторын тексеру немесе жөндеу үшін рұқсаты бар сервис орталығына жүгініңіз.
- Мұз генераторы қоршаған ортаның 10°C бастап 32°C дейінгі температурасы кезінде жұмыс істеуге арналған, сыйымдылықтағы судың температурасы 8°C бастап 25°C дейін болуы керек.
- Мұз генераторын жылу көздерінің, жылыту аспаптарының немесе ашық оттың тікелей жанында пайдаланбаңыз.
- Мұз генераторын аэрозольдар пайдаланылатын немесе тозаңдататын жерлерде, сондай-ақ тез тұтанатын сұйықтықтарға жақын жерлерде пайдалануға тыйым салынады.
- Мұз генераторын тегіс және тұрақты бетке орнатыңыз, оны үстелдің шетіне қоймаңыз. Қуаттау бауының үстелден салбырап тұруына жол бермеңіз, сонымен бірге оның ыстық беттермен және жиһаздың үшкір жиектерімен жанаспауын қадағалаңыз.
- Қуаттандыру бауы мен ақуаттандыру бауының айырына дымқыл қолмен тиісуге тыйым салынады.
- Мұз генераторындағы су деңгейінің максималдық белгіден асып кетпеуін қадағалаңыз.
- Мұз генераторын тазалау алдында немесе пайдаланбайтын жағдайда, оны электр желісінен ажыратыңыз. Мұз генераторын электрлік желіден ажыратқан кезде тек қуаттау бауының айырынан ұстаңыз және оны электр розеткасынан абайлап шығарыңыз, қуаттау бауынан тартпаңыз – бұл қуаттау бауының, электрлік розетканың зақымдануына әкелуі немесе қысқа тұйықталуын тудыруы мүмкін.
- Электр тоғы соғу қаупіне жол бермеу үшін мұз генераторын суға немесе кез-келген басқа да сұйықтыққа салуға болмайды.

- Қауіпсіздік шаралары үшін қаптама ретінде қолданылатын полиэтилен қаптарды қараусыз және балалардың қолы жететін жерде қалдырмаңыз.

НАЗАР АУДАРЫҢЫЗ! Балаларға полиэтилен дәстелермен немесе қаптама үлдірімен ойнауға рұқсат етпеңіз. **Тұншығу қаупі бар!**

- Мұз генераторы балалардың қолдануына арналмаған.
- Балалар аспапты ойыншық ретінде пайдаланбауы үшін оларды қадағалап отырыңыз.
- Құрал жұмыс істеп тұрған кезде балалардың қуаттандыру бауына және құралға тиісуіне рұқсат бермеңіз.
- Жұмыс кезінде құралды балалардың қолы жетпейтін жерге қойыңыз.
- Осы құрал физикалық, сенсорлық немесе ақыл-ой қабілеттері төмен адамдардың (балаларды қоса алғанда) пайдалануына немесе олардың тәжірибесі немесе білімі болмаған кезде, егер олар бақылауда болмаса немесе олардың қауіпсіздігіне жауапты адамның аспапты пайдалануы туралы нұсқау берілмеген болса, пайдалануға арналмаған.
- Қуаттау бауының және қуаттау бауының айырының күйін жүйелі түрде тексеріп тұрыңыз.
- Қуаттау бауы зақымданған кезде қауіп тудырмау үшін оны дайындаушы, сервистік қызмет немесе баламалы білікті маман ауыстыруы тиіс.

- Құралдың корпусындағы желдететін торды жаппаңыз және оның тазалығына ерекше мән беріңіз, мұз генераторы жұмысының тиімділігі сол тазалыққа байланысты.
- Суық агентінің бар болуы осы құралды сервистік қызметтің мамандарынан басқа техникалық қызмет көрсететін немесе жөндейтін адамдар үшін қауіптілік тудырады.
- Салқындату контурының бұзылуына жол бермеңіз. Суық агентінен елеулі су кеткені анықталған жағдайда, дереу мұз генераторын электрлік желіден өшіріңіз, ол үшін қуаттау бауының айырын электрлік розеткадан суырыңыз, үй-жайды желдету үшін терезе мен есікті ашыңыз, бұл жерде темекі тартуға, ашық от көзін пайдалануға тыйым салынады, сервистік орталыққа хабарласу керек.
- Аспапты өз бетіңізбен жөндеуге тыйым салынады. Аспапты өз бетіңізбен жөндемеңіз, кез-келген ақаулықтар пайда болған кезде, сондай-ақ құрал құлағаннан кейін аспапты электр розеткасынан ажыратып, сервис орталығына хабарласыңыз.
- Мұз генераторын зауыттық қаптамадавертикаль күйінде тасымалдау керек.
- Құралды вертикаль күйінде балалардың және мүмкіндіктері шектеулі адамдардың қолы жетпейтін жерде сақтаңыз.

ҚҰРАЛ ТЕК ТҰРМЫСТЫҚ ПАЙДАЛАНУҒА АРНАЛҒАН, ҚҰРЫЛҒЫНЫ КОММЕРЦИЯЛЫҚ НЕ- МЕСЕ ЗЕРТХАНАЛЫҚ МАҚСАТТАРДА ПАЙДАЛА- НУҒА ТҰЙЫМ САЛЫНАДЫ.

МҰЗ ГЕНЕРАТОРЫ ЖҰМЫСЫНЫҢ ҚАҒИДАТТА- РЫНА ҚЫСҚАША СИПАТТАМА

- Мұз генераторының жұмыс қағидаты біршама өзгерістері бар тоңазытқыштың жұмысына ұқсайды.
- Мұз генераторының негізгі бөлшектері мен тораптарына келесілер жатады: компрессор, булатқыш (5), конденсатор, суға арналған сорғы.
- Компрессор радиатор мен желдеткіш қоршаған ортаның температурасына дейін суытатын, содан кейін капиллярлық арнадан шығып кеңейетін және оның температурасы нөлден төмен түсетін суық агентті сорып тартады.
- Сорғының көмегімен булатқышқа (5) су тартылады, су суу нәтижесінде 7-15 минуттың ішінде булатқыштың (5) бетінде қатады, мұз пайда болады. Судың қату уақыты қоршаған ортаның температурасы мен мұз генераторының сыйымдылығына толтырылған судың температурасына байланысты.
- Мұз қатқаннан кейін мұзға арналған астау (6) артқа шегінеді, ал қалған су қайтадан сыйым-

дылыққа (8) құйылады. Мұзды булатқыштан бөлек шығару үшін оған ыстық бу бағытталады, нәтижесінде мұз булатқыштан оңай бөлінеді және себетке түседі.

- Одан кейін мұзға арналған астау (6) автоматты түрде булатқыштың (5) астына қайта оралады және мұз қатырудың келесі циклі басталады.
- Мұзға арналған себеттің толып кетуіне жол бермеу мақсатында құралда себетті толтырудың инфрақызыл тетігі бар, егер сіз себеттен дайын мұздың біразын алсаңыз, мұз генераторы себет қайтадан мұзға толғанға дейін мұздың жаңа порциясын дайындау циклін іске қосады. Мұз генераторы толығымен автоматты түрдегі тәртіпте жұмыс істейді, сізге оның жұмысын бақылаудың қажеті жоқ.

МҰЗ ГЕНЕРАТОРЫН ЖҰМЫСҚА ДАЙЫНДАУ

Құралды төмен температурада тасымалдаған немесе сақтағаннан кейін оны бөлме температурасында 3 сағаттан кем емес уақыт ұстау қажет.

- Мұз генераторын қаптамадан шығарыңыз және барлық қаптама материалдарды алып тастаңыз.
- Зауыт қаптамасын сақтап қойыңыз.
- Қауіпсіздік шаралары мен пайдалану нұсқауларымен танысыңыз.
- Жинақталымын тексеріңіз.
- Мұз генераторын бұзылыстың бар-жоғына тексеріңіз, бұзылыс болған жағдайда оны электр желіге қоспаңыз.

- Заттаңбада көрсетілген қуаттандыру кернеуінің параметрлері электр желісінің параметрлеріне сәйкес келетініне көз жеткізіңіз.
- Мұз генераторының корпусы (1) мен ішкі бетін дымқыл матамен сүртіңіз, содан кейін құрғатып сүртіңіз.
- Қақпақты (2) ашып, қолсаптан (19) ұстап мұзға арналған себетті (18) шығарыңыз, мұзға арналған себетті (18) және мұз қалағын (20) бейтарап жуатын құрал қосылған жылы сумен жуып, шайып, кептіріңіз.
- Тасымалдауға арналған қолсапты (4) орнына орнатыңыз (1-сур.). Қолсапты (4) аздап қысыңыз, оны корпустағы тесікке (1) бұрышына қарай салыңыз, қолсаптың дұрыс орнатылғанына көз жеткізіңіз.
- Су төгетін тығынның (11) орнына орнатылғанына көз жеткізіңіз (1-сур.).
- Мұз генераторын қабырғадан немесе жиһаздан бастап мұз генераторына дейін кемінде 15-20 см қашықтық болатындай етіп тегіс және тұрақты бетке орнату керек.
- Мұз генераторын жылдам өшіру үшін қуаттау бауының айырына кедергісіз қолжетімділікті қамтамасыз ету керек.
- Құралды 45 градустан асатын еңістің бұрышының астына орнатуға тыйым салынады.
- Мұз генераторын аударуға болмайды, егер мұз генераторы аударылған болса, онда оны дұрыс орнатып, қайта қосардың алдында кемінде 2 сағат күтіңіз.
- Сыйымдылыққа судың тұрмыстық сүзгіштерімен тазалаудан өткен, бөлме температурасындағы суды құйыңыз. Сыйымдылыққа ыстық су құюға тыйым салынады, бұл мұз генераторының бұзылуына әкелуі мүмкін.
- Жылдам қатырудың салдарынан суда болатын ауадан мұздың түсі «сүт» түсті болуы мүмкін, бірақ бұл мұздың сапасына өсер етпейді.
- Егер сізге таза мұз керек болса, онда алдын-ала қайнатылып, суытылған ауыз суды пайдалану керек.
- Сыйымдылықтағы суды әрбір 24 сағат сайын ауыстыруға кеңес беріледі, кері жағдайда суда шөгінді пайда болуы мүмкін және мұздың түсі мөлдір болмайды.
- Аптасына кем дегенде бір рет мұз генераторын тазалау керек.

ПАЙДАЛЫ КЕҢЕСТЕР

Гигиенаға сай бірінші циклде дайындалған мұзды пайдалануға кеңес берілмейді.

- Мұз генераторын 5°C төмен температура кезінде пайдалануға тыйым салынады.
- Мұз генераторы қоршаған ортаның 10°C бастап 32°C дейінгі температурасы кезіндегі жұмысқа арналған.
- Сыйымдылыққа температурасы 8°C бастап 25°C дейінгі суды қую керек.

МҰЗ ГЕНЕРАТОРЫН ПАЙДАЛАНУ

- Мұз генераторының қақпағын (2) ашып, қолсаптан (19) ұстап, себетті (18) шығарыңыз.
- Су деңгейінің «МАХ» максималдық белгісінен (12) асырмай, сыйымдылыққа (8) су құйыңыз.
- Себетті (18) орнына салыңыз, қақпақты (2) жабыңыз.
- Қуаттау бауының айырын электрлік розеткаға салыңыз, осы кезде мұз генераторы күту тәртібінде қосылады және «Мұз» индикаторы (18) жанып-өшеді.
- «Қосу/өшіру» қосу/өшіру батырмасын (17) басып, мұз генераторын қосыңыз, мұз генераторы мұз қатыру тәртібінде қосылады және «Мұз» индикаторы (18) тұрақты жанатын болады.
- Мұз қатыру циклі су мен қоршаған ортаның температурасына байланысты шама-мен 7-15 минутқа созылады.

Ескертпе: мұз генераторын қосқан кезде компрессор қосылады, сондықтан мұз генераторының жұмысына белгілі шу (тұрмыстық тоңазытқыш сияқты) ілеспелі болады.

- Мұз генераторының жұмысын тоқтату үшін «Қосу/өшіру» қосу/өшіру батырмасын (17) қайта басу керек, осы кезде «Мұз» индикаторы (18) жанып-өшеді.
- Себет (18) толғаннан кейін мұз генераторы жұмысын тоқтатады, «Себет толы» индикаторы

(15) қызыл түспен жанады. Мұз генераторының қақпағын (2) ашып, қолсаптан (19) ұстап, себетті (18) шығарыңыз, қалақты (20) пайдала отырып, мұзды себеттен (18) шығарыңыз, себетті (18) орнына орнатыңыз.

Ескертпе: инфрақызыл диод (9) пен фотоқабылдағыш (13) себетті (18) толтыру үдерісіне қарайды, сондықтан диод (9) пен фотоқабылдағышты (13) үнемі таза ұстау керек.

- «Себет толы» индикаторы (15) қызыл түспен жанса, онда қақпақты (2) ашып, ішінен себетті (18) шығарып, оның ішінде бос орын болса, аздап қағу керек, себетті (18) орнына орнатып, қақпағын (2) жабыңыз, мұз генераторы қосылады және себетке (18) мұз толады.
- Сыйымдылықта (8) су біткен кезде «Су қосу» индикаторы (16) қызыл түспен жанады.
- Суды сыйымдылыққа (8) құярдың алдында «Қосу/өшіру» батырмасын (17) басып, мұз генераторын өшіріңіз, қуаттау бауының айырын электрлік розеткадан шығарыңыз, қақпақты (2) ашыңыз, қолсаптан (19) ұстап, себетті (18) шығарыңыз, судың максималдық белгісінен «МАХ» (12) асырмай, сыйымдылыққа (8) су құйыңыз, себетті (18) орнына орнатып, қақпақты (2) жабыңыз. Қуаттау бауының айырын электрлік розеткаға салыңыз және «Қосу/өшіру» батырмасын (17) басып, мұз генераторын қосыңыз.

Ескөртпе: егер сіз қуаттау бауының айырын электрлік розеткадан суырмаған және мұз генераторын қайтадан қоспаған болсаңыз, онда мұз генераторы мұз дайындауды 5 минуттан кейін бастайды.

- Мұз генераторының жұмысы біткеннен кейін «Қосу/өшіру» батырмасын (17) басып, оны өшіріңіз, қуаттау бауының айырын электрлік розеткадан шығарыңыз.

ТАЗАРТУ ЖӘНЕ КҮТІМІ

МАҢЫЗДЫ!

- Мұз генераторын аптасына кемінде бір рет тазалау керек.
- Тазалағаннан кейін мұз генераторының ішкі беттері құрғақ екендігіне көз жеткізіңіз, кері жағдайда көгеруі мүмкін.
- Мұз генераторын тазалаудың алдында «Қосу/өшіру» батырмасын (17) басып, оны өшіріңіз, қуаттау бауының айырын электрлік розеткадан шығарыңыз.
- Мұз генераторы бөлме температурасына дейін қызғанша біраз уақыт күтіңіз.
- Мұз генераторын, қуаттау бауының айырын және қуаттау бауын суға немесе кез-келген басқа сұйықтықтарға салмаңыз.
- Егер сыйымдылықта су қалса, оны төгу керек. Ол үшін аспапты үстелден 60 мм қашықтыққа жылжытып (2-сур.), су жинауға келетін тиісті

сыйымдылықты қойыңыз, су төгетін тығынды (11) шығарыңыз (3-сур.).

- Мұз генераторының қақпағын (2) ашыңыз және қолсаптан (19) ұстап, себетті (18) шығарыңыз.
- Мұз генераторының ішкі бетін 1-ге1 қатынасындағы ас үй сірке суының ерітіндісіне салынған жұмсақ матамен сүртіп алыңыз. Одан кейін ішкі бетті таза сумен жуып алыңыз және бар суды төгіп тастаңыз.

Назар аударыңыз! Бұзылысқа жол бермеу үшін булатқышты (5) тазалауға болмайды.

- Су төгетін тығынды (11) орнына орнатыңыз (1-сур.).
- Мұзға арналған себетті (18) және мұзға арналған қалақты (20) бейтарап жуғыш зат қосылған жылы сумен жуып жіберіңіз, шайыңыз және құрғатыңыз.
- Егер инфрақызыл диод (9) және фотоқабылдағыш (13) лас болса, онда оларды құрғақ матамен сүртіңіз.
- Желдеткіш тордың (4) тазалығын қадағалаңыз, оны тазарту үшін тиісті қондырмасы бар шаңсорғышты қолдануға болады.
- Мұз генераторының корпусын (1) дымқыл матамен сүртіңіз, содан кейін құрғатып сүртіңіз. Қажет болғанда бейтарап жуатын құралды пайдалануға болады.
- Мұз генераторының корпусына (1) сұйықтық тиюіне жол бермеңіз.

- Металл қылшақты, абразивтік жуатын заттарды және еріткіштерді пайдалануға тыйым салынады.

САҚТАУ

- Мұз генераторын ұзақ сақтауға қоюдың алдында оны электр желісінен ажыратыңыз, құралды бөлме температурасына дейін суытыңыз.
- Мұз генераторын тазалаңыз.
- Мұз генераторын сақтаудың алдында оның ішкі беттерінің құрғақ екендігіне көз жеткізіңіз.
- Мұз генераторын вертикаль күйде құрғақ салқын, балалар және мүмкіндіктері шектеулі адамдардың қолы жетпейтін жерде сақтаңыз.

АҚАУЛЫҚТАР ЖӘНЕ ОЛАРДЫ ЖОЮ ЖОЛДАРЫ

Ақаулық	Ықтимал себебі	Способы устранения
Льдогенератор не включается.	Электрлік розеткада электр көзі жоқ. Қуаттау бауының айыры электрлік розеткаға толық салынбаған.	Электрлік розеткаға алдын-ала жұмыс істейтін электрлік аспапты салыңыз. Қуаттау бауының айыры электр розеткасына тығыз салынғанына көз жеткізіңіз.

«Су қосыңыз» индикаторы жанып тұр.	Су жеткіліксіз.	Максималдық деңгейдің белгісінен аспайтындей су құйыңыз, мұз генераторы автоматты түрде жұмысын жалғастырады. Немесе мұз генераторының жұмысын қайта қосыңыз.
«Себет толы» индикаторы жанады.	Мұзға арналған себет толы.	Мұзға арналған себеттен мұзды алып тастаңыз.
Мұз текшелері бір-біріне жабысады.	Мұз өндірісінде тым ұзақ иикл болған. Суға арналған сыйымдылықтағы судың температурасы өте төмен.	Суға арналған сыйымдылықтағы суды ауыстырыңыз. Сыйымдылыққа температурасы 8°C бастап 25°C дейінгі суды құйыңыз.
Мұз генераторы қалыпты жұмыс істейді, бірақ мұз өндірілмейді.	Ауаның немесе суға арналған сыйымдылықтағы судың температурасы өте жоғары. Мұз генераторыны бұзылды. Суық агент ағып кеткен.	Мұз генераторы қоршаған ортаның 10°C бастап 32°C дейінгі температурасы кезінде жұмыс істеуге арналған, судың температурасы 8°C бастап 25°C дейін болуы керек. Мұз генераторын жөндеу үшін сервис орталығына жүгініңіз.

ЖЕТКІЗІЛІМ ЖИЫНТЫҒЫ

1. Мұз генераторы – 1 дана.
2. Нұсқаулық – 1 дана.

ТЕХНИКАЛЫҚ СИПАТТАМАЛАРЫ

- Электр қорегі: 220-240 В ~ 50 Гц
- Номиналдық тұтынатын қуаттылығы: 120 Вт
- Климаттық классы: ST/SN/N/T
- Суық агент/суық агенттің мөлшері R600a/23г
- Өлшемдері (Ұ x Е x Б): 310*230*325 мм
- Таза салмағы: 8,3 кг

КӘДЕГЕ АСЫРУ



Қалдықтардың бақыланбай пайдаға асыруынан қоршаған ортаға немесе адамдардың денсаулығына зиян келтірмеу үшін, құралдың немесе қуаттандыру элементтерінің (егер жинағына кірсе) қызмет ету мерзімі аяқталғаннан кейін оларды

өдеттегі тұрмыстық қалдықтармен бірге тастамаңыз, аспапты және қуаттандыру элементтерін одан әрі кәдеге асыру үшін арнайы пункттерге жіберіңіз.

Бұйымдарды кәдеге асыру кезінде пайда болатын қалдықтар белгіленген тәртіп бойынша келесі пайдаға асырылатын тәртіппен міндетті түрде жинауға жатады.

Берілген өнімді кәдеге асыру туралы қосымша ақпаратты алу үшін жергілікті муниципалитетке, тұрмыстық қалдықтарды пайдаға асыру қызметіне немесе осы өнімді сатып алған дүкенге жүгініңіз.

Өндіруші алдын-ала ескертусіз, құралдың дизайнын, конструкциясы мен оның жалпы жұмыс ұстанымдарына әсер етпейтін техникалық сипаттамаларын өз-герту құқығын өзіне қалдырады.

Құралдың қызмет ету мерзімі – 3 жыл

Өндірілген күні сериялық нөмірде көрсетілген.

Қандай да бір ақаулықтар табылған жағдайда дереу авторландырылған сервистік орталыққа жүгіну керек.

Hergestellt für «Ruste GmbH»,
Berggasse 18/18, 1090 Wien,
Österreich

Produced for «Ruste GmbH»,
Berggasse 18/18, 1090 Vienna, Austria

Изготовлено по заказу Русте Гмбх,
Бергассе 18/18, 1090 Вена, Австрия

Уполномоченное изготовителем
лицо: ООО «Грантэл»
143912, МО, г. Балашиха,
ш. Энтузиастов, вл. 1А
т.: +7 (495) 297-50-20,
e-mail: info@brayer.su

Made in China/Произведено в Китае



brayer.ru

